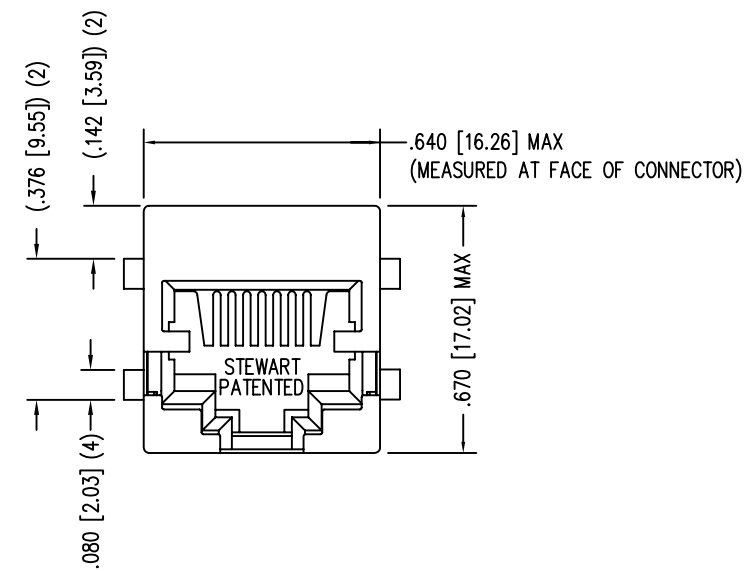
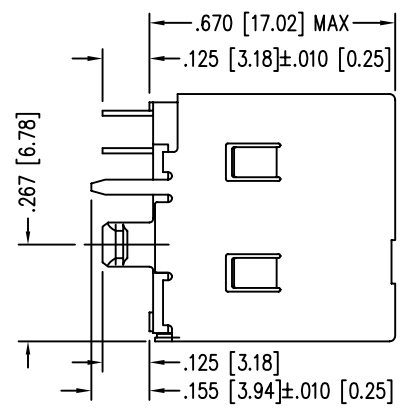
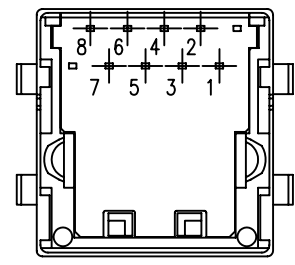
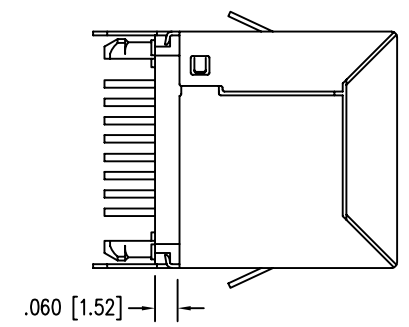
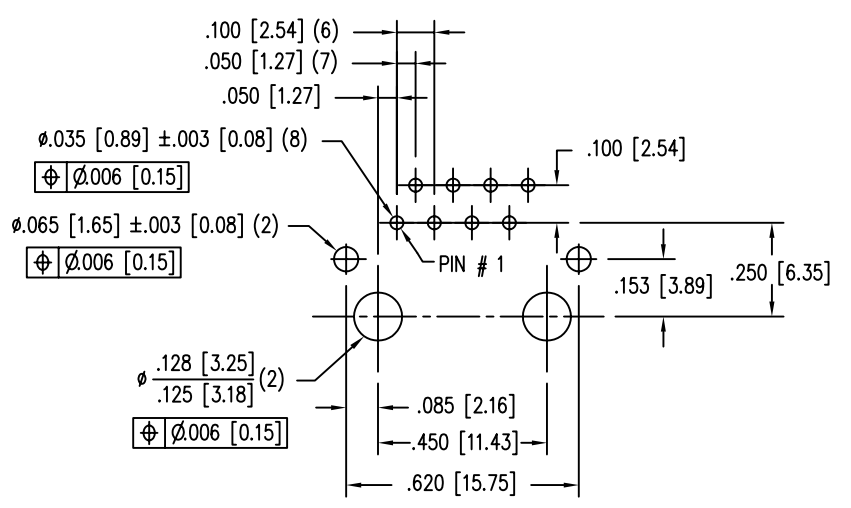


| DATE | REV | ECN | APP'D. BY |
|---------|-----|------|-----------|
| 1/23/06 | A1 | 7454 | JM |
| 6/23/06 | A2 | 7663 | JM |
| | | | |
| | | | |

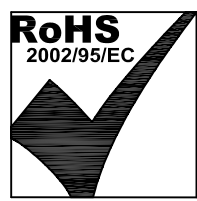
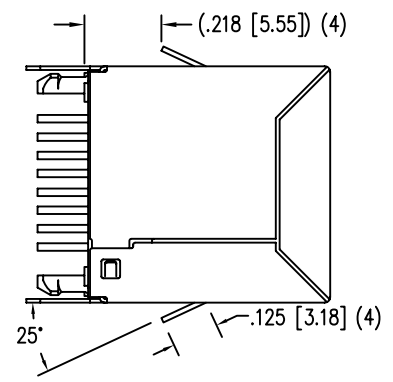


- NOTES:
- CONNECTOR MATERIALS:
HOUSING: THERMOPLASTIC UL94 V-0
CONTACTS/SHIELD: COPPER ALLOY
SHIELD PLATING: NICKEL OR TIN
CONTACT PLATING: SELECTIVE GOLD IN CONTACT AREA
SEE CHART FOR PART NUMBER
 - FOR PRODUCT SPECIFICATIONS SEE PRO26-01.
 - DIMENSIONS AND TOLERANCES COMPLY WITH FCC/CFR 47, PART 68.

| | |
|-----------------------------------|--------------------|
| 30 MICRO-INCHES [0.76um] | SS-650810S-A-NF-01 |
| CONTACT PLATING IN MATING AREA | PART NUMBER |



P.C.B. RECOMMENDED HOLE LAYOUT
SEEN FROM COMPONENT SIDE
ALL CENTERLINE DIMENSIONS ARE BASIC.



| | |
|--|--|
| THIRD ANGLE PROJECTION | |
| DO NOT SCALE DRAWING DRAWING IS SUBJECT TO CHANGE WITHOUT NOTICE | |
| DIMENSIONS: INCHES [METRIC] | |
| UNLESS OTHERWISE SPECIFIED TOLERANCES ARE ±.005 [0.13] ANGLES ARE ± 1° | |
| SHEET NO. 1 OF 1 | |

Bel Stewart Connector

11118 Susquehanna Trail South
Glen Rock, PA 17327-9199
(717) 235-7512 Fax: (717) 235-7954 <http://www.stewartconnector.com>

TITLE: EIGHT CONTACT, TEN POSITION; VERTICAL MOUNT SHIELDED JACK
NON-FLANGED, GROUNDING TABS @ 25°

| | |
|------------------|--------------|
| DRN BY: K. L. | DATE: 7-7-95 |
| APPD BY: J. W. | DATE: 7-8-95 |
| DWG NO. CT650055 | REV. A2 |

THIS DRAWING AND THE SUBJECT MATTER SHOWN THEREON ARE CONFIDENTIAL AND THE PROPRIETARY PROPERTY OF BEL STEWART CONNECTOR AND SHALL NOT BE REPRODUCED, COPIED, OR USED IN ANY MANNER WITHOUT PRIOR WRITTEN CONSENT OF BEL STEWART CONNECTOR. THE SUBJECT MATTER MAY BE PATENTED OR A PATENT MAY BE PENDING.

B

B

A

A

REV. 6/3/05