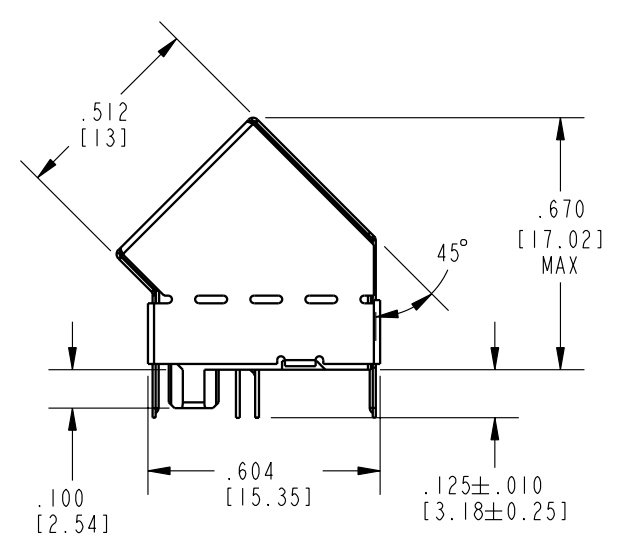
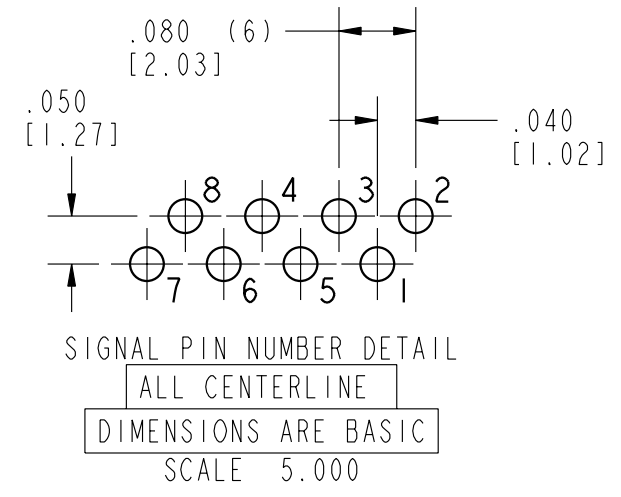
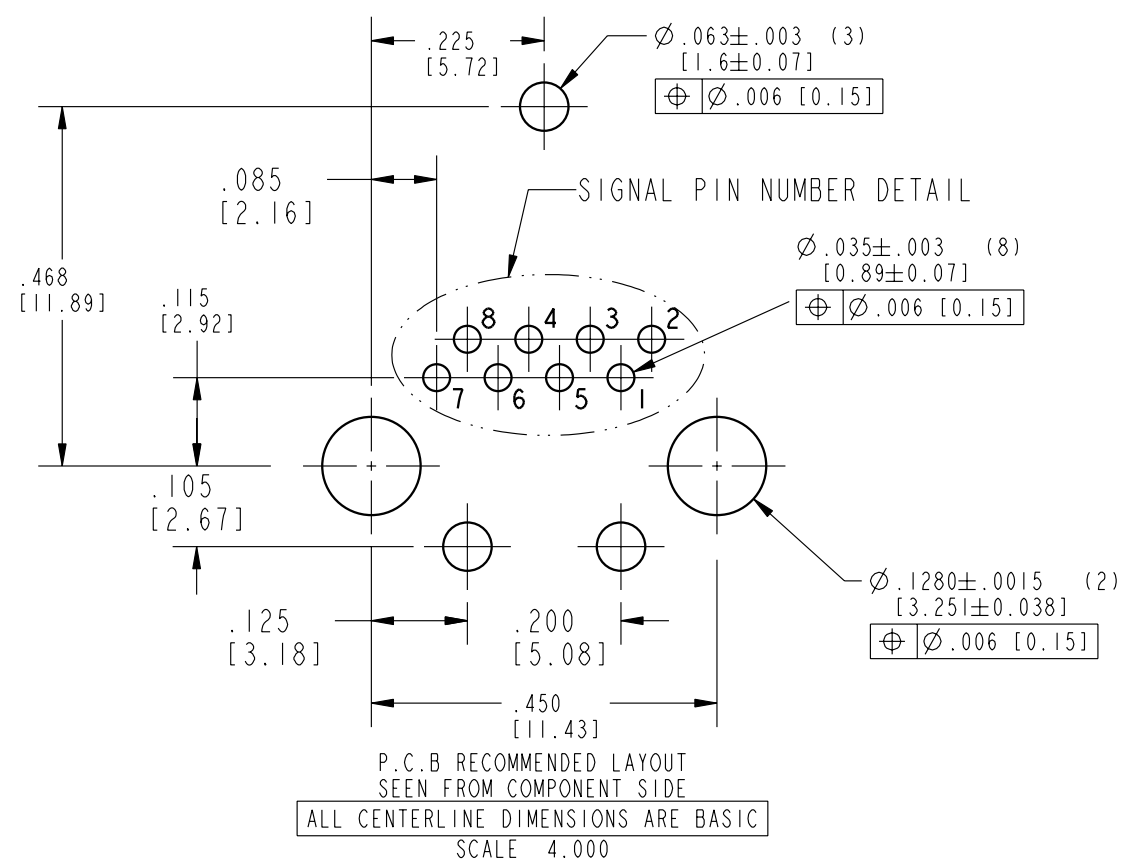
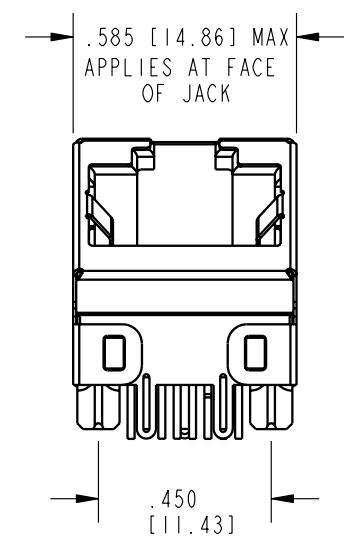
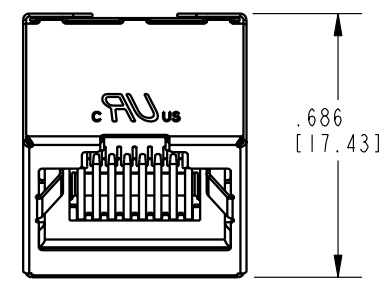
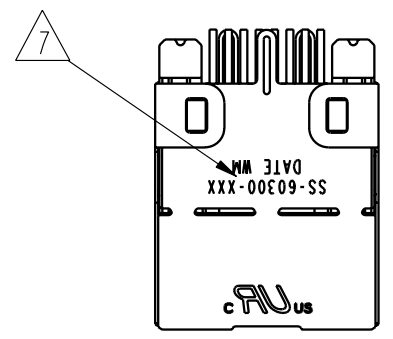


DATE	REV.	ECN	APP'D BY
6-3-08	X0	----	SAW
7-31-08	A0	8505	DHG
03-30-09	A1	8694	DHG
04-09-09	A2	8705	DHG
04-16-10	A3	8955	DHG



POSITIONS	1 TO 3	3 TO 5	3 TO 7	2 TO 6	4 TO 6	6 TO 8
CAPACITANCE ± 80 FEMTOFARADS	570	1303	333	325	1330	585

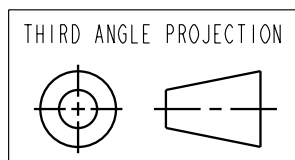
CAPACITANCE CHARACTERISTICS OF ASSEMBLED CONNECTOR

NOTES:

- CONNECTOR MATERIALS:
HOUSING: THERMOPLASTIC UL94 V-0
CONTACTS/SHIELD: COPPER ALLOY
SHIELD PLATING: NICKEL OR TIN
CONTACT PLATING: SELECTIVE GOLD IN CONTACT AREA
SEE CHART FOR PART NUMBER
- DESIGNED FOR CATEGORY 6A APPLICATIONS.
- DIMENSIONS AND TOLERANCES COMPLY WITH FCC/CFR 47, PART 68.
- THE ASSEMBLY SHALL WITHSTAND 1000 VDC BETWEEN CONTACTS FOR 60 SECONDS, MINIMUM.
- HIGH TEMPERATURE PLASTIC: WAVE SOLDER COMPATIBLE TO 260°C.
- FOR PRODUCT SPECIFICATION SEE PR033-01.
- LOGO, PART NUMBER AND DATE CODE LOCATED APPROX. IN THIS AREA.
- FOR PROPER JACK FUNCTION AND PERFORMANCE, TIA-1096 COMPLIANT PLUGS MUST BE USED.

50 MICRO-INCHES [1.27um]	SS-60300-024
CONTACT PLATING IN MATING AREA	PART NUMBER

PATENTED



DO NOT SCALE DRAWING
DRAWING IS SUBJECT TO CHANGE WITHOUT NOTICE

DIMENSIONS: INCHES [METRIC]
UNLESS OTHERWISE SPECIFIED TOLERANCES ARE ±.005 [0.13] ANGLES ARE ±1°

SHEET NO. 1 OF 1

Bel Stewart Connector

11118 Susquehanna Trail South
Glen Rock, PA 17327-9199
(717) 235-7512 Fax: (717) 235-7954 <http://www.stewartconnector.com>

TITLE: CAT 6A, 45° ANGLE JACK, SHIELDED, NF

THIS DRAWING AND THE SUBJECT MATTER SHOWN THEREON ARE CONFIDENTIAL AND THE PROPRIETARY PROPERTY OF BEL STEWART CONNECTOR AND SHALL NOT BE REPRODUCED, COPIED, OR USED IN ANY MANNER WITHOUT PRIOR WRITTEN CONSENT OF BEL STEWART CONNECTOR. THE SUBJECT MATTER MAY BE PATENTED OR A PATENT MAY BE PENDING.

DRN BY: SAW	DATE: 6-3-08
APPD BY: DHG	DATE: 6-3-08
DWG. NO. CT600070	REV. A3