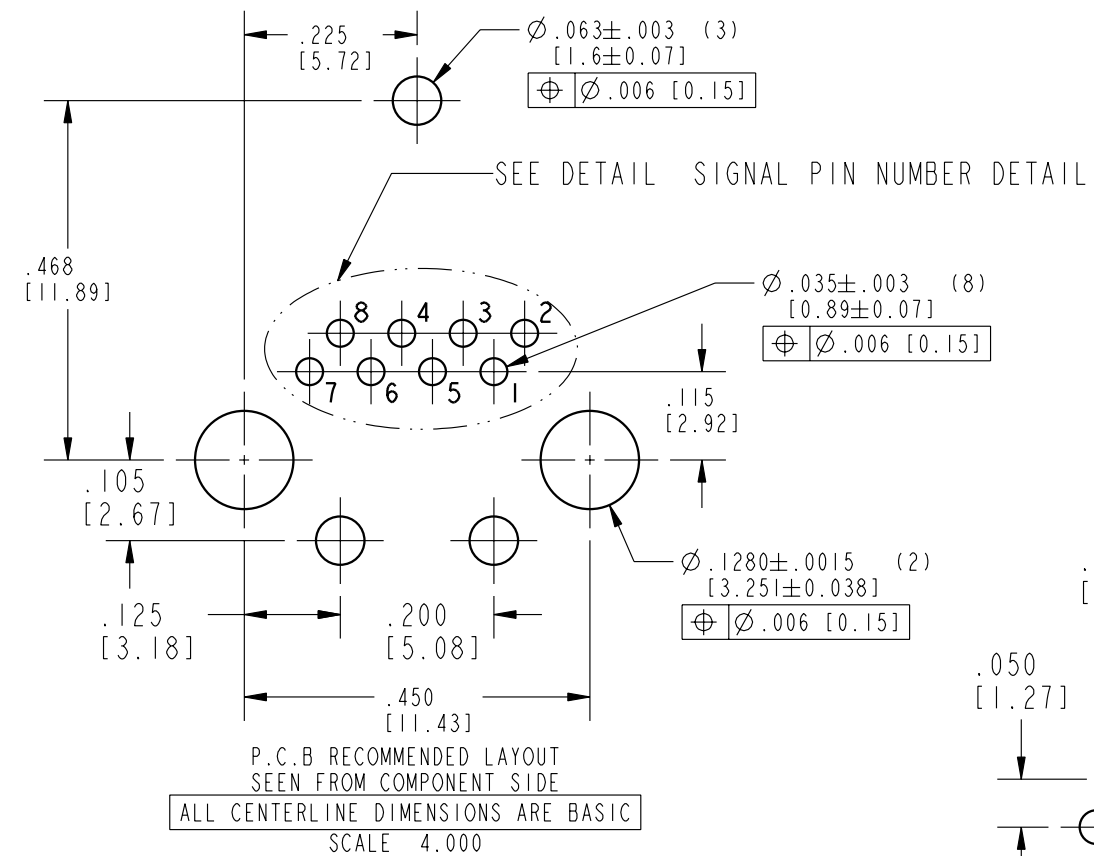
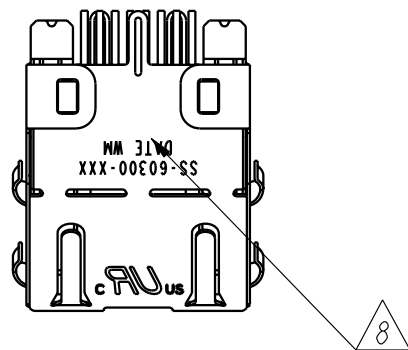


| DATE | REV. | ECN | APP'D BY |
|----------|------|------|----------|
| 03-30-09 | A0 | 8694 | DHG |
| 04-09-09 | A1 | 8705 | DHG |
| 04-30-09 | A2 | 8723 | DHG |
| 04-16-10 | A3 | 8955 | DHG |

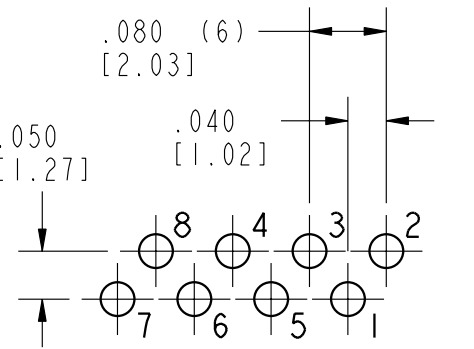
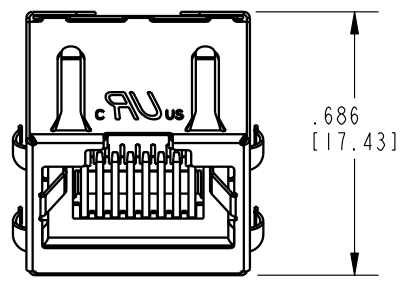


| POSITIONS | 1 TO 3 | 3 TO 5 | 3 TO 7 | 2 TO 6 | 4 TO 6 | 6 TO 8 |
|------------------------------------|--------|--------|--------|--------|--------|--------|
| CAPACITANCE ± 80 FEMTOFARADS | 570 | 1303 | 333 | 325 | 1330 | 585 |

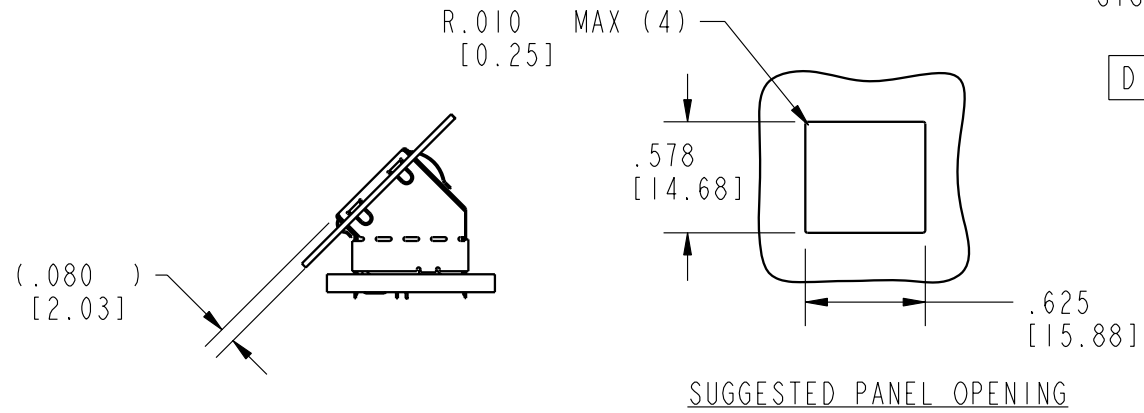
CAPACITANCE CHARACTERISTICS OF ASSEMBLED CONNECTOR

NOTES:

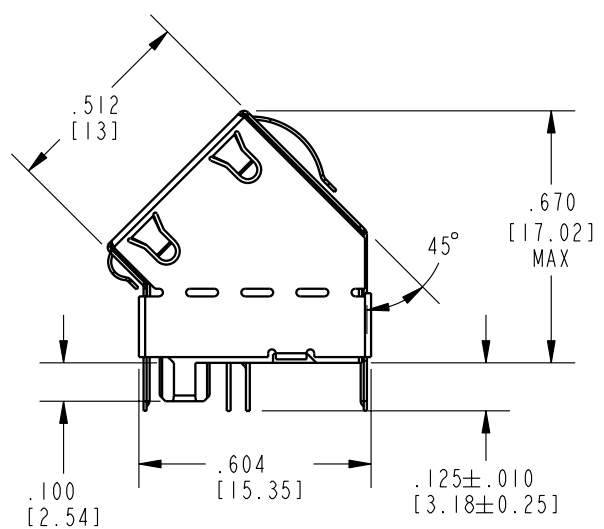
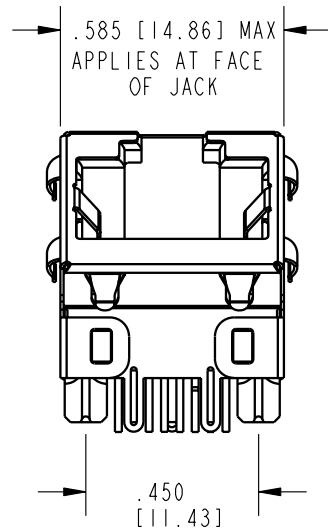
- CONNECTOR MATERIALS:
HOUSING: THERMOPLASTIC UL94 V-0
CONTACTS/SHIELD: COPPER ALLOY
SHIELD PLATING: NICKEL OR TIN
CONTACT PLATING: SELECTIVE GOLD IN CONTACT AREA
SEE CHART FOR PART NUMBER
- DESIGNED FOR CATEGORY 6A APPLICATIONS.
- DIMENSIONS AND TOLERANCES COMPLY WITH FCC/CFR 47, PART 68.
- THE SUGGESTED PANEL OPENING IS INTENDED TO GIVE USER THE ABILITY TO HAVE REASONABLE JACK/PANEL CLEARANCES, YET MAINTAIN GROUNDING CAPABILITY. THESE VARIABLES CAN BE ADJUSTED IN EITHER DIRECTION BUT MAY RESULT IN LOWER MATING FORCES OR TIGHTER ASSEMBLY TOLERANCES.
- DIELECTRIC WITHSTANDING VOLTAGE (CONTACT TO SHIELD): 2250 VDC
- HIGH TEMPERATURE PLASTIC: WAVE SOLDER COMPATIBLE TO 260°C.
- FOR PRODUCT SPECIFICATION SEE PR033-01.
- LOGO, PART NUMBER AND DATE CODE LOCATED APROX. IN THIS AREA.
- FOR PROPER JACK FUNCTION AND PERFORMANCE, TIA-1096 COMPLIANT PLUGS MUST BE USED.



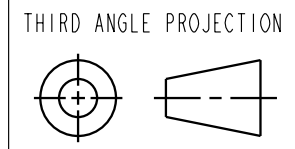
SIGNAL PIN NUMBER DETAIL
ALL CENTERLINE DIMENSIONS ARE BASIC
SCALE 5.000



| | |
|-----------------------------------|--------------|
| 50 MICRO-INCHES [1.27um] | SS-60300-023 |
| CONTACT PLATING IN MATING AREA | PART NUMBER |



PATENTED



DO NOT SCALE DRAWING
DRAWING IS SUBJECT TO CHANGE WITHOUT NOTICE

DIMENSIONS: INCHES [METRIC]
UNLESS OTHERWISE SPECIFIED TOLERANCES ARE ±.005 [0.13] ANGLES ARE ±1°

SHEET NO. 1 OF 1

Bel Stewart Connector

11118 Susquehanna Trail South
Glen Rock, PA 17327-9199
(717) 235-7512 Fax: (717) 235-7954 <http://www.stewartconnector.com>

TITLE: CAT 6A, 45° ANGLE JACK, SHIELDED, PG4

THIS DRAWING AND THE SUBJECT MATTER SHOWN THEREON ARE CONFIDENTIAL AND THE PROPRIETARY PROPERTY OF BEL STEWART CONNECTOR AND SHALL NOT BE REPRODUCED, COPIED, OR USED IN ANY MANNER WITHOUT PRIOR WRITTEN CONSENT OF BEL STEWART CONNECTOR. THE SUBJECT MATTER MAY BE PATENTED OR A PATENT MAY BE PENDING.

| | |
|-------------------|-------------|
| DRN BY: SAW | DATE 3-6-09 |
| APPD BY: DHG | DATE 3-6-09 |
| DWG. NO. CT600084 | REV. A3 |