

FEATURES

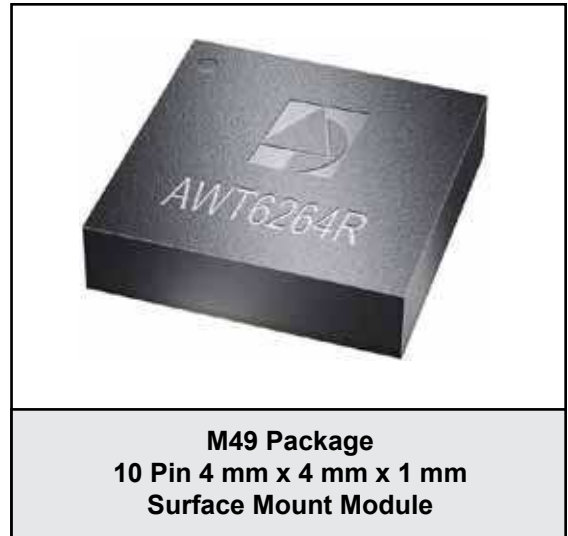
- InGaP HBT Technology
- +25 dBm Linear Output Power
- 32 dB Gain
- 2.5 % EVM QPSK 1/2 CTC, 16 QAM OFDMA Modulation
- High Efficiency
- Integrated Output Power Detector
- Integrated Step Attenuator
- Low Leakage Current in Shutdown Mode
- Optimized for a 50 Ω System
- Low Profile Miniature Surface Mount Package; RoHS Compliant

APPLICATIONS

- Mobile WiMAX Data Cards and Terminals that Support the IEEE 802.16e (2005) Standard

PRODUCT DESCRIPTION

The AWT6264R meets the stringent linearity and output power requirements of the Mobile WiMAX high speed data system. The device is manufactured on an advanced InGaP HBT MMIC technology offering state-of-the-art reliability, temperature stability, and ruggedness. A shutdown mode with low leakage



current increases talk and standby time, and an integrated step attenuator enables gain control. The self-contained 4 mm x 4 mm x 1 mm surface mount package incorporates matching networks optimized for output power, efficiency, and linearity in a 50 Ω system.

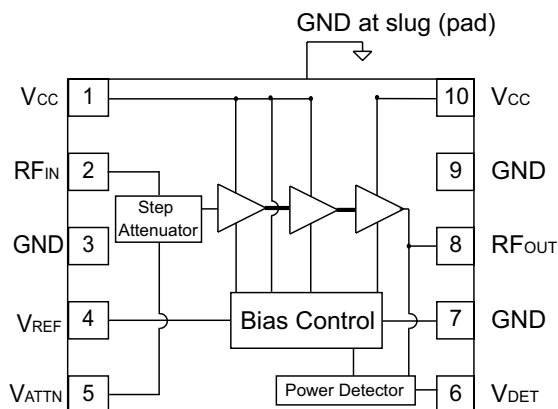


Figure 1: Block Diagram

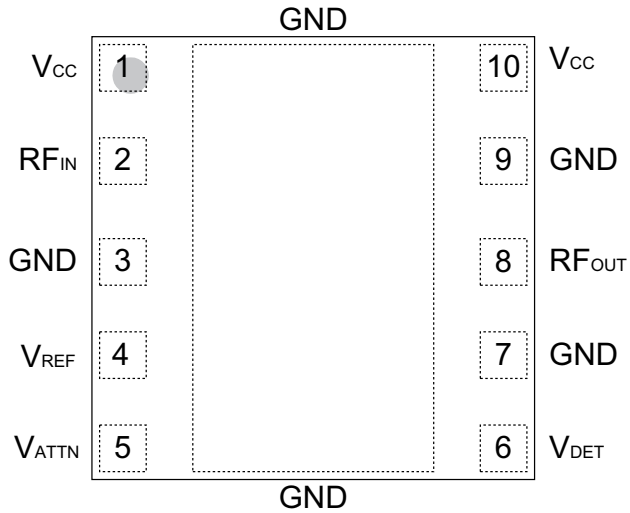


Figure 2: Pinout (X-ray Top View)

Table 1: Pin Description

PIN	NAME	DESCRIPTION
1	V_{CC}	Supply Voltage
2	RF_{IN}	RF Input
3	GND	Ground
4	V_{REF}	Reference Voltage
5	V_{ATTN}	Attenuator Control Voltage
6	V_{DET}	Detector Output Voltage
7	GND	Ground
8	RF_{OUT}	RF Output
9	GND	Ground
10	V_{CC}	Supply Voltage

ELECTRICAL CHARACTERISTICS

Table 2: Absolute Minimum and Maximum Ratings

PARAMETER	MIN	MAX	UNIT
Supply Voltage (V_{CC})	0	+5	V
Reference Voltage (V_{REF})	0	+3.0	V
Attenuator Control Voltage (V_{ATTN})	0	+3.7	V
RF Input Power (P_{IN})	-	0	dBm
ESD Rating			
Human Body Model ⁽¹⁾	250	-	V
Charged Device Model ⁽²⁾	1000	-	V
MSL Rating ⁽³⁾	3	-	
Storage Temperature (T_{STG})	-40	+150	°C

Stresses in excess of the absolute ratings may cause permanent damage. Functional operation is not implied under these conditions. Exposure to absolute ratings for extended periods of time may adversely affect reliability.

Notes:

(1) JEDEC Class 1A.

(2) JEDEC Class IV.

(3) 260 °C Peak Reflow.

Table 3: Operating Ranges

PARAMETER	MIN	TYP	MAX	UNIT	COMMENTS
Operating Frequency (f)	2300	-	2700	MHz	
Supply Voltage (V_{CC})	+3.0	+3.3	+4.2	V	
Reference Voltage (V_{REF})	+2.80 0	+2.85 -	+2.90 +0.5	V	PA "on" PA "shut down"
Attenuator Control Voltage (V_{ATTN})					
Logic High	+2.3	-	+3.7	V	Attenuator Enabled Attenuator Disabled
Logic Low	0	-	+0.7		
RF Output Power (P_{OUT})	-	+25	-	dBm	
Case Temperature (T_C)	-10	-	+85	°C	

The device may be operated safely over these conditions; however, parametric performance is guaranteed only over the conditions defined in the electrical specifications.

Table 4: Electrical Specifications - 16 QAM PUSC
(T_C = +25 °C, V_{CC} = +3.3 V, V_{REF} = +2.85 V, 50 Ω system)

PARAMETER	MIN	TYP	MAX	UNIT	COMMENTS
Gain ⁽²⁾	29	32	35	dB	
Attenuation	21	23	28	dB	V _{ATTN} = 2.5 V
SEM ^{(1), (2)} @ offset A @ offset B @ offset C @ offset D @ offset E @ offset F	-	-21.5 -18.7 -20.7 -26.3 -34 39.5	-13 -13 -19 -25 -29.4 -37	dBm	10 MHz Channel Bandwidth WiMAX Forum Band Class 3A MRPT
Power-Added Efficiency ^{(1), (2)}	21	24	-	%	
Collector Current (I _{CC}) ^{(1), (2)}	-	398	450	mA	
EVM ⁽²⁾	-	2.5	3.5	%	
Thermal Resistance (R _{JC}) ⁽³⁾	-	14.6 16.8	-	°C/W	V _{CC} = +3.3 V V _{CC} = +4.2 V
Power Detector Output @ 25 dBm	-	1.25	-	V	RL (Load Resistor) = 100K Ω
Quiescent Current (I _Q)	70	106	140	mA	
V _{REF} Current	-	3.8	5	mA	through V _{REF} pin
Leakage Current	-	1	5	μA	V _{CC} = +4 V, V _{REF} = 0 V
Harmonics 2f _o , 4f _o 3f _o	-	-60 -55	-45 -45	dBc	
Input Impedance	-	-	2:1	VSWR	
Spurious Output Level (all spurious outputs)	-	-	-60	dBc	P _{OUT} < +25 dBm In-band load VSWR < 5:1 Out-of-band load VSWR < 10:1 Applies over all voltage and temperature operating ranges
Load mismatch stress with no permanent degradation or failure	8:1	-	-	VSWR	V _{CC} = +4 V, P _{IN} = 0 dBm Applies over full operating temperature range

Notes:

(1) Measured at 2500 MHz.

(2) P_{OUT} = +25 dBm.(3) Use only V_{CC2} (pin 10) current when calculating device junction temperature.

Table 5: Electrical Specifications - QPSK 1/2 CTC, Zone = AMC 4:2
(T_c = +25 °C, V_{CC} = +3.3 V, V_{REF} = +2.85 V, 50 Ω system)

PARAMETER	MIN	TYP	MAX	UNIT	COMMENTS
Gain ⁽²⁾	29	32	35	dB	
Attenuation	21	23	28	dB	V _{ATTN} = 2.5 V
Spectrum Mask ^{(1), (2)} @ 5 MHz @ 6 MHz @ 11 MHz @ 20 MHz	- - - -	-33 -31 -40 -55	- - - -50	dBc	Res BW 100 kHz Res BW 1 MHz Res BW 1 MHz Res BW 1 MHz
Power-Added Efficiency ^{(1), (2)}	21	24	-	%	
Collector Current (I _{CC}) ^{(1), (2)}	-	398	450	mA	
EVM ⁽²⁾	-	2.5	4	%	
Power Detector Output @ 25 dBm	-	1.25	-	V	RL (Load Resistor) = 100K Ω
Quiescent Current (I _Q)	70	106	140	mA	
V _{REF} Current	-	3.8	5	mA	through V _{REF} pin
Leakage Current	-	1	5	μA	V _{CC} = +4 V, V _{REF} = 0 V
Harmonics 2fo, 4fo 3fo	- - -	-60 -55	-45 -45	dBc	
Input Impedance	-	-	2:1	VSWR	
Spurious Output Level (all spurious outputs)	-	-	-60	dBc	P _{OUT} < +25 dBm In-band load VSWR < 5:1 Out-of-band load VSWR < 10:1 Applies over all voltage and temperature operating ranges
Load mismatch stress with no permanent degradation or failure	8:1	-	-	VSWR	V _{CC} = +4 V, P _{IN} = 0 dBm Applies over full operating temperature range

Notes:

(1) Measured at 2500 MHz.

(2) P_{OUT} = +25 dBm

APPLICATION INFORMATION

To ensure proper performance, refer to all related Application Notes on the ANADIGICS web site: <http://www.anadigics.com>

Shutdown Mode

The power amplifier may be placed in a shutdown mode by applying logic low levels (see Operating Ranges table) to the V_{REF} voltage.

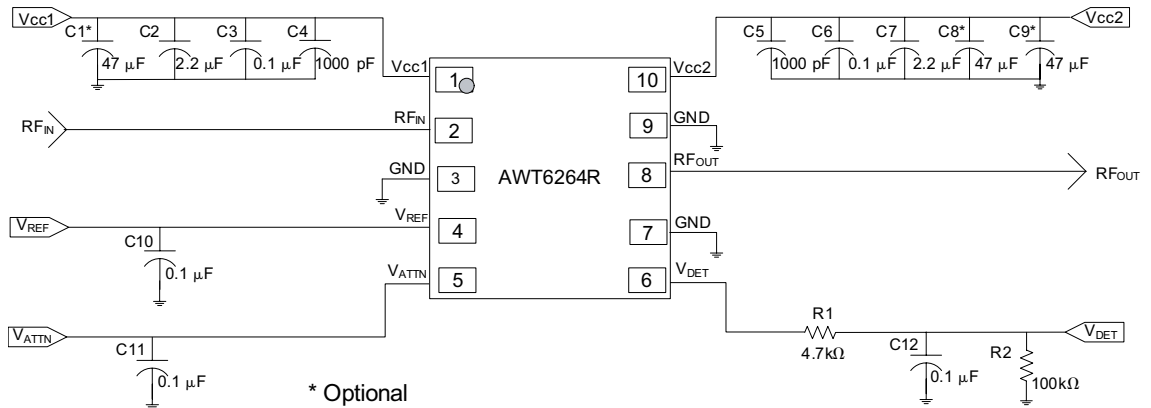
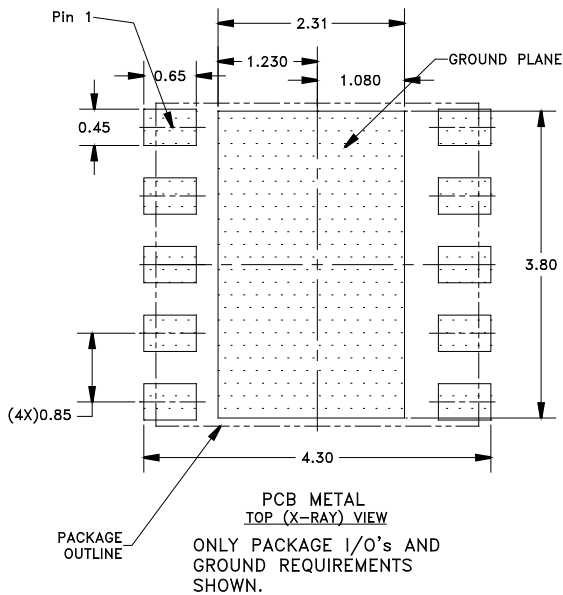


Figure 3: Application Circuit Schematic



- NOTES:**
- (1) UNLESS SPECIFIED DIMENSIONS ARE SYMMETRICAL ABOUT CENTER LINES SHOWN.
 - (2) DIMENSIONS IN MILLIMETERS.

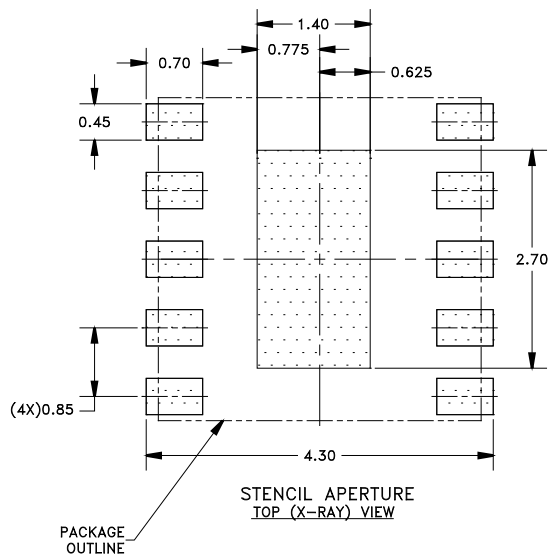
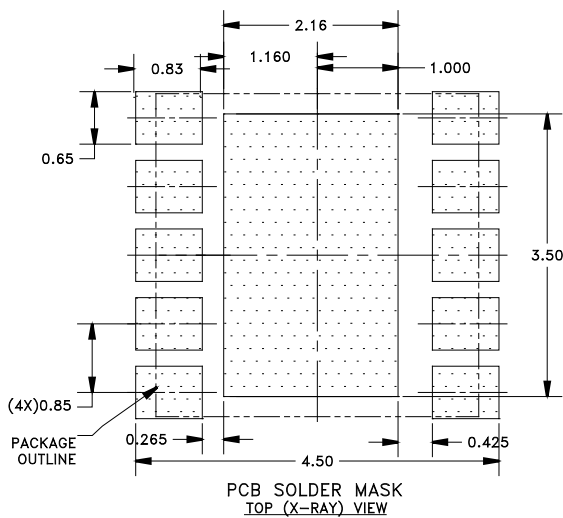
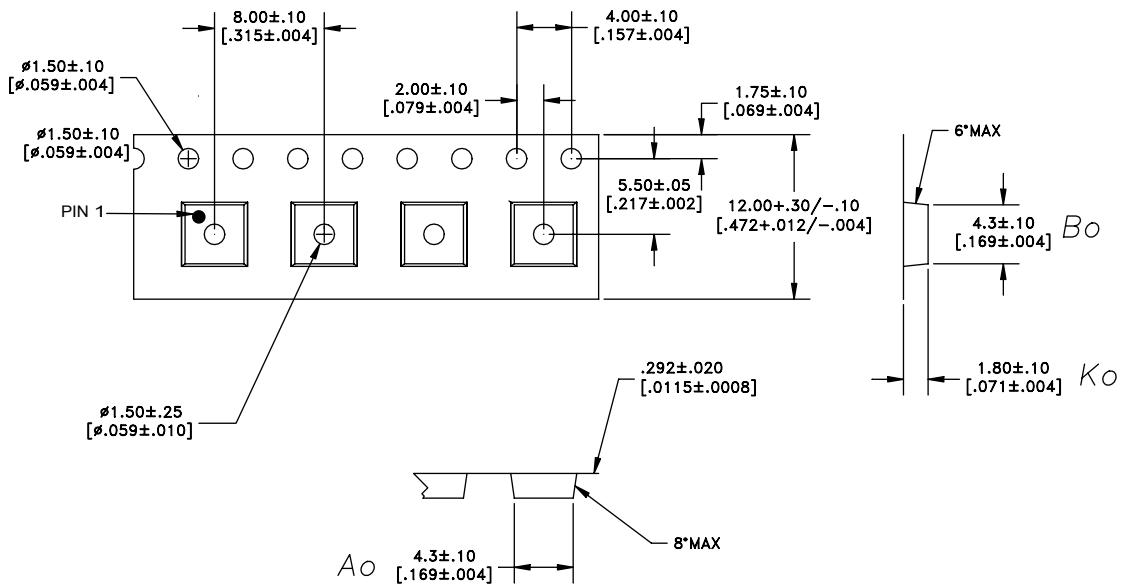


Figure 4: PCB Footprint

COMPONENT PACKAGING



DIMENSIONS ARE IN MILLIMETERS [INCHES]
STANDARD TOLERANCES

Figure 7: Tape & Reel Packaging

Table 6: Tape & Reel Dimensions

PACKAGE TYPE	TAPE WIDTH	POCKET PITCH	REEL CAPACITY	MAX REEL DIA
4 mm x 4 mm x 1 mm	12 mm	8 mm	2500	13"

ORDERING INFORMATION

ORDER NUMBER	TEMPERATURE RANGE	PACKAGE DESCRIPTION	COMPONENT PACKAGING
AWT6264RM49P8	-10 °C to +85 °C	RoHS-compliant 10 Pin 4 mm x 4 mm x 1 mm Surface Mount Module	Tape and Reel, 2500 pieces per Reel

**ANADIGICS, Inc.**

141 Mount Bethel Road

Warren, New Jersey 07059, U.S.A.

Tel: +1 (908) 668-5000

Fax: +1 (908) 668-5132

URL: <http://www.anadigics.com>**IMPORTANT NOTICE**

ANADIGICS, Inc. reserves the right to make changes to its products or to discontinue any product at any time without notice. The product specifications contained in Advanced Product Information sheets and Preliminary Data Sheets are subject to change prior to a product's formal introduction. Information in Data Sheets have been carefully checked and are assumed to be reliable; however, ANADIGICS assumes no responsibilities for inaccuracies. ANADIGICS strongly urges customers to verify that the information they are using is current before placing orders.

WARNING

ANADIGICS products are not intended for use in life support appliances, devices or systems. Use of an ANADIGICS product in any such application without written consent is prohibited.