

3.2 mm X 2.5 mm B3 series Crystal

Description

Ultra compact surface mount AT-strip crystal ideally suited for digital video and digital still cameras, PDA's, PC's, and short-range radio link modules.



Features:

- Available in frequencies from 13 MHz to 54 MHz in the fundamental mode
- +/- 10 ppm available over temp.
- Very compact and thin
- Shock resistant
- Designed for high-temp reflow
- RoHS compliant

Frequency Range, Operating Temperature, and Frequency Stability:

Frequency Range	Operating Temperature	Product Code	Temperature Stability	Product Code	Frequency at room	Product Code
13 MHz to 54 MHz	-10 to +60°C	A	+/- 10 ppm	A	+/- 10 ppm	A
	-20 to +70°C	B	+/- 20 ppm	B	+/- 20 ppm	B
	-40 to +85°C	C	+/- 30 ppm	C	+/- 30 ppm	C
			+/- 50 ppm	D	+/- 50 ppm	D
			+/-100 ppm	E	+/-100 ppm	E

** Note: Not all combinations of temperature range, temperature stability, and frequency at room temperature are available.

Aging (at 25C):

Frequency	Timeframe	Aging
All	Per Year	+/- 2.0 ppm

Crystal Electrical Parameters:

Effective Series Resistance:

Frequency Range (MHz)	ESR (Max)
13MHz to 19.999MHz	80 ohms
20MHz to 25.999MHz	70 ohms
>26MHz	50 ohms



RoHS
COMPLIANT

Operating Capacitive Load:

Clod (pF)	Product Code
8.0	A
10.0	B
12.0	C

Co and Drive Level:

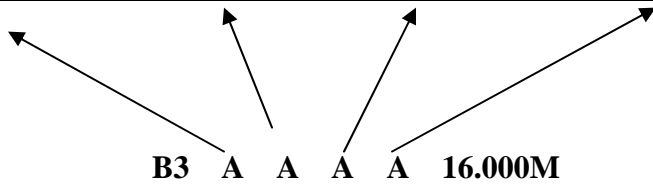
Co (pF)	Drive Level (uW)
3.0 max.	300 max

Environmental:

Storage Temperature	-40 to +85 °C
---------------------	---------------

Ordering Options:

Product Code.	Operating Temp.	Temperature Stability	Frequency at Room Temp.	Clload	Operating Frequency
B3	A	A	A	A	xx.xxxMHz
B3	B	B	B	B	xx.xxxMHz
B3	C	C	C	C	xx.xxxMHz
B3		D	D		xx.xxxMHz
B3		E	E		xx.xxxMHz



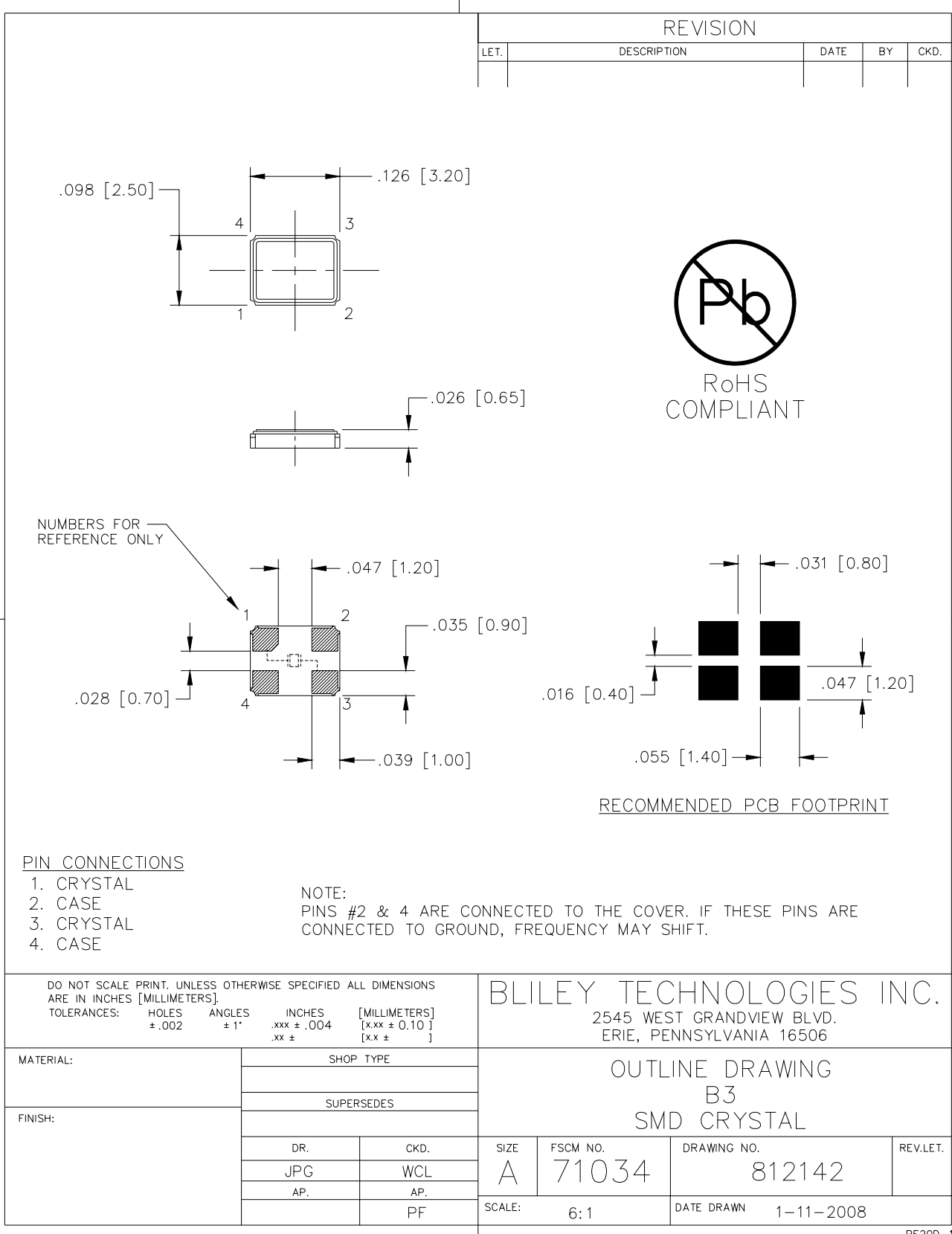
B3 A A A A 16.000M

This example part number has the following specs:

RoHS compliant, -10 to +60C, +/-10 ppm temperature stability and +/- 10 ppm make-tolerance at 25C with operating Clload of 8 pF at 16 MHz

**** Consult with Bliley Sales for other parameters.**

Outline Drawing & Pin Out:



PE200-1



3.2 mm X 2.5 mm B3 series Crystal

How to Order This Product:

Contact Bliley Technologies with Product Selection Code

Attn:

Sales @ Bliley

Fax: **814-833-2712**

Phone: 814-838-3571

Email: info@bliley.com

Web: www.bliley.com

Date: _____

From:

Name: _____ Company: _____

Fax: _____ Phone: _____

Email: _____

Quantities to Quote: _____ Target Price: \$ _____

Application / Reference #: _____