

### Description:

The V85G Voltage-controlled Crystal Oscillator (VCXO) Series products provide a wide range of options in temperature stability, operating frequency range, and ultra low phase jitter in a 7.0 x 5.0 mm ceramic package with PECL or LVDS outputs..



### Features:

- Available in frequencies from 1.5 to 200 MHz
- Tri-state Enable/Disable
- Hermetically sealed ceramic SMD package
- PECL / LVDS outputs
- RoHS-6/Leadfree compliant
- Integrated jitter 0.3 pS max.

### Frequency Range

Frequency
1.5 to 200.5 MHz

### Operating Temperature

Operating Temperature	Product Code
-10 to +60C	<b>A</b>
0 to +70C	<b>B</b>
-20 to 70C	<b>C</b>
-40 to 85C	<b>D</b>

### Frequency Stability

Freq. Stability	Product Code
+/- 25 ppm	<b>A</b>
+/- 50 ppm	<b>B</b>

Frequency stability is inclusive of calibration at 25C, operating temp. range, input voltage variation, load variation, aging, shock, and vibration

Not all combinations of stability and temperature ranges available.

### Aging: (typical at 20MHz after 30 days continuous operation)

Frequency	Timeframe	Aging	Product Code
20 MHz	1st Year	+/- 5.0ppm	<b>N/A</b>

### Supply Voltage (Vs):

Power Supply (Vs)	2.5 Vdc +/-10%	3.3 Vdc +/-10%
Product Code	<b>A</b>	<b>B</b>

### Frequency versus Voltage:

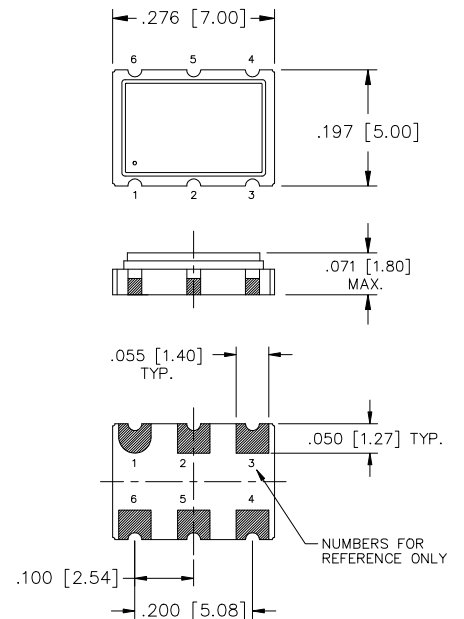
3.3 volt		5.0 volt	
0 to 3.3v on Pin 1	Product Code	0.5v to 4.5v on Pin1	Product Code
+/-100 ppm min	N/A	+/-100 ppm min	N/A

### Current Consumption ( I<sub>DD</sub> ):

Frequency Range ( MHz )	I <sub>DD</sub> ( at 2.5V )		I <sub>DD</sub> ( at 3.3V )	
	PECL / LVDS		PECL / LVDS	
	mA		mA	
1.500 to 64.999	75 / 45		75 / 45	
65.000 to 200.000	100 / 80		100 / 80	

### PIN CONNECTIONS

1. VOLTAGE CONTROL
2. TRISTATE
3. GROUND
4. OUTPUT
5. COMPLIMENTARY OUTPUT
6. + VDC

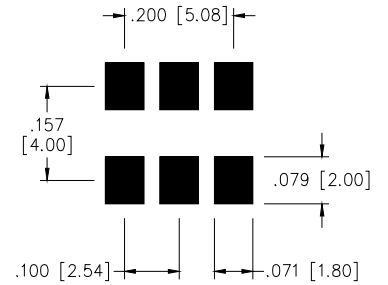


### Environmental:

Storage Temperature	-55 to +125 °C
---------------------	----------------

### Output Waveform:

	PECL	PECL	LVDS	LVDS
Product Code	A		B	
	At 2.5 V	At 3.3 V	At 2.5 V	At 3.3 V
Output Logic 1	1.475 Vmin	2.275Vmin	1.6Vmax	1.6Vmax
Output Logic 0	1.095 Vmax	1.680Vmax	0.9Vmin	0.9Vmin
Rise/Fall Time ( nS )	1 max	1 max	1 max	1 max



RECOMMENDED PCB FOOTPRINT  
SCALE: 5:1

### Tri-state function Pin 2:

Pin 2 = Output Active with 0.5 volts max on Pin 2

Pin2 = Output in high impedance state when 2.0 volts min. on Pin 2 or 2.5 volts min ( for 3.3v supply )

### Ordering Options:

Product Family	Operating Temperature	Temperature Stability	Supply Voltage	Output Type	Operating Frequency
V85G	A	A	A	A	XXX.XXXMHz
V85G	B	B	B	B	XXX.XXXMHz
V85G	C				XXX.XXXMHz
V85G	D				XXX.XXXMHz

V85G A B B A  
Part Number Build Example

155.520MHz

**\*\*Consult Bliley sales if other options required**

**RoHs compliant ; -20 to 70C; +/- 50ppm; a 3.3 volt supply;PECL outputs and 155.520 MHz nominal operating frequency.**

### How to Order This Product:

Contact Bliley Technologies with Product Selection Code from Ordering Options Section above.