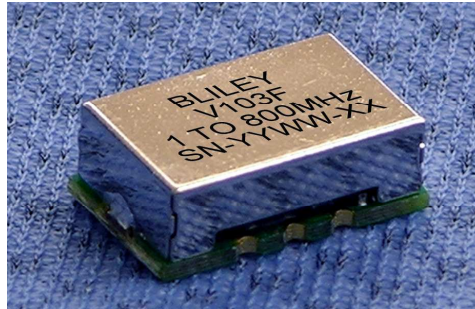


# 14.0 mm x 9.0 mm VCXO

# V103F series

### Description:

The V103G Voltage Controlled Crystal Oscillator (VCXO) Series products provide a wide range of options in temperature stability, pullability, and operating frequency range in a 9.0mm x 14.0 mm FR4 SMD package.



### Features:

- Available in frequencies from 1.0MHz to 800 MHz.
- Tri-state Enable/Disable
- SMD package
- PECL / LVDS output available
- RoHS-6/Leadfree compliant

### Frequency Range

Frequency
1 to 800 MHz

### Operating Temperature

Operating Temperature	Product Code
-10 to +60C	<b>A</b>
0 to +70C	<b>B</b>
-20 to 70C	<b>C</b>
-40 to 85C	<b>D</b>

### Frequency Stability

Freq. Stability	Product Code
+/- 25 ppm	<b>A</b>
+/- 50 ppm	<b>B</b>
+/- 100 ppm	<b>C</b>

Frequency stability includes 25C tolerance, drift over temperature, change versus voltage and load, 20 year aging, shock and vibration

### Aging: (typical at 100MHz after 30 days continuous operation)

Frequency	Timeframe	Aging
100MHz	Per Year	+/- 3.0 ppm

### Supply Voltage (Vs):

Power Supply (Vs)	3.3 Vdc +/-5%	5.0 Vdc +/-5%
Product Code	<b>A</b>	<b>B</b>

Supply Voltage Sensitivity ( +/- 5% ) : +/- 1 ppm max. Frequency change

### Frequency Pulling Range:

3.3 volt Supply		5.0 volt Supply	
1.65VDC ±1.35V	Product Code	2.5VDC±2.0V	Product Code
+/-50 ppm min	<b>A</b>	+/-50 ppm min	<b>C</b>
+/-100 ppm min	<b>B</b>	+/-100 ppm min	<b>D</b>

### Current Consumption ( I<sub>DD</sub> ):

Frequency Range ( MHz )	I <sub>DD</sub> ( at 3.3V )
	PECL / LVDS
1.0 to 800.000	mA
	100 / 80

### Environmental:

Storage Temperature	-55 to +125 °C
---------------------	----------------

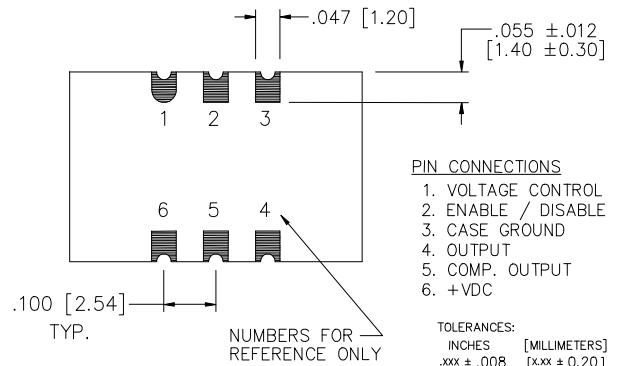
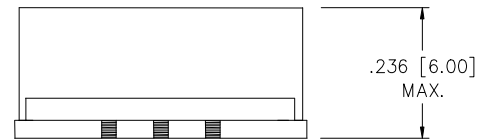
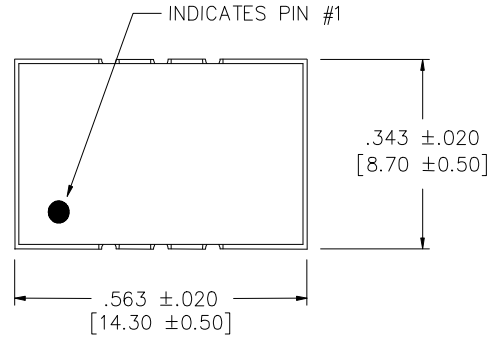
### Output Waveform:

	PECL	LVDS
<b>Product Code</b>	<b>A</b>	<b>B</b>
	At 3.3 V	At 3.3 V
Output Logic 1	2.275Vmin	1.6Vmax
Output Logic 0	1.680Vmax	0.9Vmin
Rise/Fall Time ( nS )	1 max	1 max

**Start-up Time: 3 mS max.**

### Tri-state function Pin 2:

Pin 2 = Output Active Open or with 2.5 V or greater.



### Ordering Options:

Product Family	Operating Temperature	Frequency Stability	Output Type	Supply Voltage	Frequency Pull Range	Operating Frequency
V103F	A	A	A	A	A	XXX.XXXMHz
	B	B	B	B	B	XXX.XXXMHz
	C	C			C	XXX.XXXMHz
	D				D	XXX.XXXMHz

↑ V103F      ↑ D      ↑ A      ↑ A      ↑ B      ↑ C      ↑ 100.000MHz

### Part Number Build Example

**\*\*Consult Bliley sales if other options required**

Contact Bliley Technologies with Product Selection Code from Ordering Options Section above.