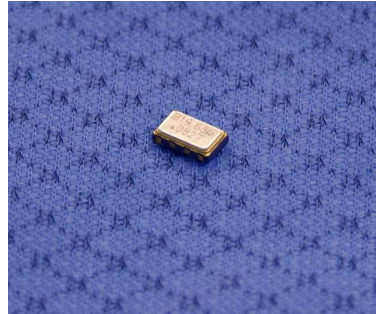


Description:

The T106D Digital Temperature Compensated Voltage Controllable Crystal Oscillator (TCVCXO) offers a wide range of performance options in miniature 3.2 x 2.5 mm ceramic SMD package.



The compact light weight package make this part ideal for automated assembly applications.

Features:

- Available in frequencies from 10 to 52 MHz. with 16.368MHz, 16.369MHz, 19.2 MHz, 20MHz, 26MHz, and 40 MHz standards.
- +/-5ppm pull range available
- Clipped Sine or HCMOS output Available
- Digital Temperature Compensation used for low cost applications.
- External VCC bypass capacitor required.
- RoHS-6 Lead-free compliant

Frequency Range, Operating Temperature, and Frequency Stability:

Frequency Range	Operating Temperature	Product Code	Frequency Stability	Product Code
10MHz to 52MHz	-20 to +70° C	C	+/- 0.5 ppm	A
	-40 to +85° C	D	+/- 1.0 ppm	B
	0 to +55° C	E	+/- 1.5 ppm	C
	-10 to +60° C	F	+/- 2.0 ppm	D
	-30 to +85° C	G	+/- 2.5 ppm	E

Not all combinations of frequency vs. temperature stability available. Please consult the factory for your specific requirements.

Aging: (typical at 10 MHz after 30 days continuous operation)

Frequency	Timeframe	Aging
10 MHz	1st Year	+/- 1.0 ppm

Phase Noise:

Frequency	Offset	Phase Noise (Typ.)
		19.2 MHz
	10 Hz	- 85 dBc/Hz
	100 Hz	-115 dBc/Hz
	1 KHz	-135 dBc/Hz
	10 KHz	-148 dBc/Hz
	100 KHz	-150 dBc/Hz

Supply Voltage (Vs):

Power Supply (Vs)	+2.5 Vdc +/-10%	+3.3 Vdc +/-10%
Product Code	C	D

Current Consumption:

Freq Range	15MHz ≤ 26MHz	26MHz – 40MHz
Supply Current	2.0mA	2.5 mA

Output Waveform:

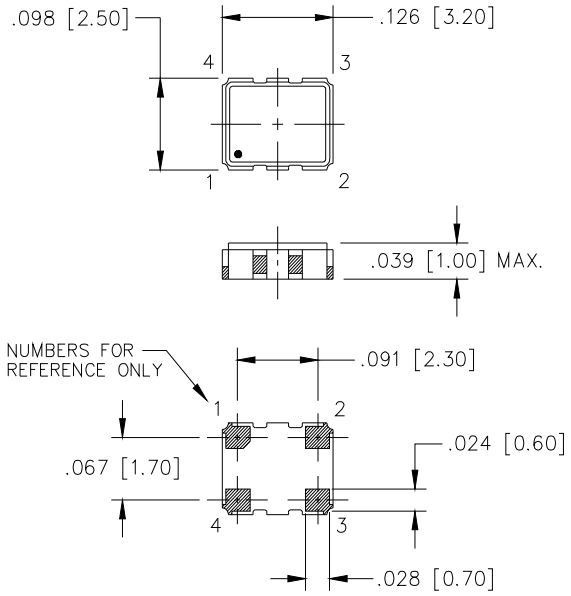
Clipped Sine Wave	
Product Code	N/A
Output Level	0.8 V p-p min.
Load	10K // 10 pF

Pulling Range:

Tuning Range	None(TCXO)	+/- 5 ppm
Product Code	T (Pin 1 – Ground)	A

Environmental:

Storage Temperature	-55 to +125° C
---------------------	----------------



PIN CONNECTIONS

1. TCVCXO: VOLTAGE CONTROL
OR
TCXO: GROUND
2. GROUND
3. OUTPUT
4. + VDC

Ordering Options:

Operating Temperature	Frequency Stability	Supply Voltage	Pulling Range	Operating Frequency (MHz)
C	A	C	T	xxMxxxx
D	B	D	A	xxMxxxx
E	C			xxMxxxx
F	D			xxMxxxx
G	E			xxMxxxx

T106D C B C A 15.0000 MHz

Product Selection Code (refer to the above example):

This part is RoHs compliant, -20 to +70C, +/- 1.0pm, 2.5 volt clipped sine wave with +/- 5 ppm pull at 15MHz output frequency.

**** Not all combinations available in this product**