

SP3T SWITCH

MODEL 310-021008-001

Available as: 1.90" x 1.00" x 0.40" Field Removable
SMA Connectorized Housing

Features

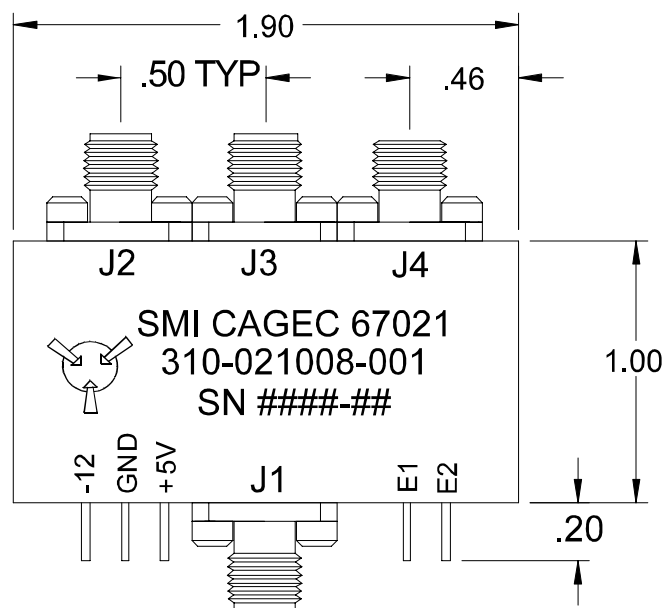
- Reflective High Isolation SP3T Switch
- Wide Bandwidth: 1 to 18 GHz
- Isolation 70 dB at 18 GHz
- Fast Switching Speed: 100 ns Typical
- Integral TTL Driver
- OperatingTemp.: -40 °C to + 85 °C
- Environmental Screening Available

Absolute Maximum (No Damage) Ratings

Ambient Operating Temperature -55°C to +100 °C
 Storage Temperature -65°C to +125 °C
 Operating Case Temperature +125 °C
 DC Voltage +5.5 / -15 Volts
 Continuous RF Input Power +30 dBm

Specifications

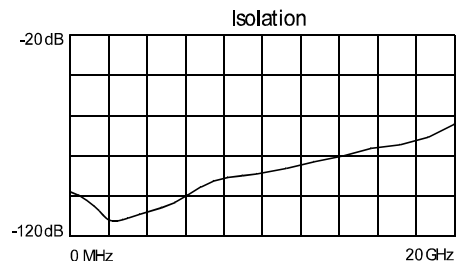
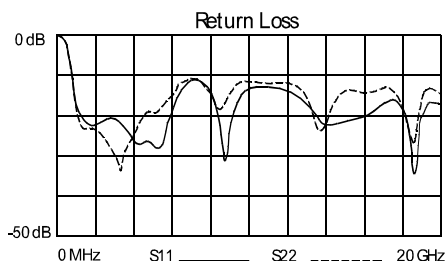
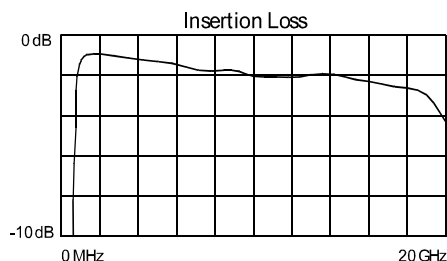
CHARACTERISTIC	TYPICAL Ta = 25 °C	MIN/MAX Ta = -40 °C to +85 °C
Frequency Range	1 - 18 GHz	1 - 18 GHz
Insertion Loss (dB)		
1 - 8 GHz	1.5	2.0 Max.
8 - 16 GHz	2.0	2.5 Max.
16 - 18 GHz	2.5	3.0 Max.
Isolation (dB)		
1 - 8 GHz	95	85 Min.
8 - 16 GHz	80	70 Min.
16 - 18 GHz	70	65 Min.
VSWR:		
Input	1.7:1	2.0:1 Max.
Output "ON"	1.7:1	2.0:1 Max.
RF Leakage (dB)	80	-
Isolation RF to / from DC (dB)	-	60 Min.
Isolation RF to / from Control (dB)	-	60 Min.
Switching Speed (50% TTL to 90% RF) (nsec)	100	-
DC (Vdc)	+5 / -12	+5 / -12
Bias (mA)	+100 / -40	+150 / -40
Input 1 dB Compression (dBm)	-	+27 Min.
Intercept Points (dBm)		
2nd Order IP (Input)	-	+40 Min.
3rd Order IP (Input)	-	+37 Min.



Truth Table

TTL Control Input		Switch Position
E2	E1	
0	0	All Off
0	1	J1 to J2
1	0	J1 to J3
1	1	J1 to J4

Typical Performance Data



Spectrum Microwave · 2144 Franklin Drive N.E. · Palm Bay, FL 32905 · (888) 553-7531 · Fax (888) 553-7532

www.SpectrumMicrowave.com Spectrum Microwave · 2707 Black Lake Place · Philadelphia, PA 19154 · (215) 464-4000 · Fax (215) 464-4001

Rev.
5/4/10