

Power Amplifier - 50 watts

Model QBS-562 (876 - 960 MHz)



Features

- High Output: 50 watts
- Class AB Design
- Ultra High Efficiency...up to 50%
- Gain: 34 dB
- Supply: +28 volts
- Impedance: 50 ohms



Description

The QBS-562 is class AB amplifier with a narrow band frequency range of 876 to 960 MHz. Operating over a DC input voltage of +28 Vdc, the QBS-562 provides 34 dB small signal gain. Output power of +44 dBm is provided over the 876 to 960 MHz frequency band. Typical current drawn from a +28 V supply at +44 dBm output power is 3000 mA.

Added Features

- Internal Voltage Regulator: Supplies from +28 to +32 volts
- Thermal Temperature Compensating Circuits
- High Input Protection Circuitry
- Built-in Fault Monitoring
- Built-in User Control Interfaces
- Harmonic Filters

Typical Specifications

Frequency	876 to 960 MHz
Output Power	+44 dBm
Saturated Output Power	+51 dBm (over band)
Small Signal Gain	34 dB
Gain Flatness	+/- 1 dB
IP3	+56 dBm
Reverse Isolation	40 dB
Impedance	50 ohms
DC Power	+28 V / 3000 mA
Temp Range	-40°C to +85°C

All specifications above typical, measured at 25 °C

Dimensions and Connections

8.0" L x 3.5" W x 1.29" H

Hermetically sealed housing, available with field replaceable SMA connectors, or gold plated pins for through board mount.

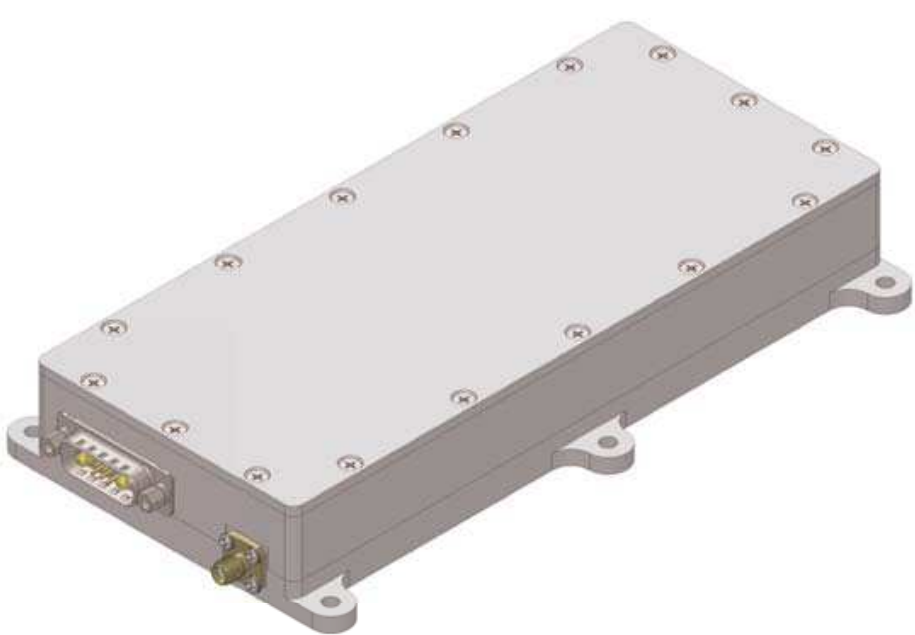
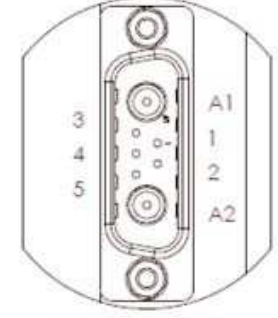
Maximum Ratings

Operating Temperature	-55°C to +100°C
Storage Temperature	-62°C to +125°C
DC Voltage at 25°C	+34 volts
Input Drive at 25°C	+28 dBm

Power Amplifier - 50 watts



Control Logic

7W2 CONNECTOR
DETAIL A

7W2 CONNECTOR PINOUT	
Pin Number	SIGNAL
A1	+28 VDC
A2	+28 VDC RETURN
1	BLANK +
2	B (+)
3	BLANK -
4	RTN/SHIELD
5	A (-)

Outline Drawing

