

General Description

The IDT5T9304 differential clock buffer has a user-selectable differential input to four LVDS outputs. The fanout from a differential input to four LVDS outputs reduces loading on the preceding driver and provides an efficient clock distribution network. The IDT5T9304 can act as a translator from a differential HSTL, eHSTL, LVEPECL (2.5V), LVPECL (3.3V), CML, or LVDS input to LVDS outputs. A single-ended 3.3V / 2.5V LVTTTL input can also be used to translate to LVDS outputs. The redundant input capability allows for an asynchronous change-over from a primary clock source to a secondary clock source. Selectable reference inputs are controlled by SEL.

The IDT5T9304 outputs can be asynchronously enabled/disabled. When disabled, the outputs will drive to the value selected by the GL pin. Multiple power and grounds reduce noise.

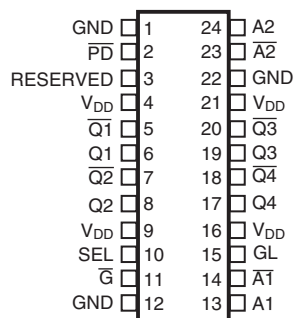
Features

- Guaranteed low skew: 50ps (maximum)
- Very low duty cycle distortion: 125ps (maximum)
- Propagation delay: 1.75ns (maximum)
- Up to 450MHz operation
- Selectable inputs
- Hot insertable and over-voltage tolerant inputs
- 3.3V/2.5V LVTTTL, HSTL eHSTL, LVEPECL (2.5V), LVPECL (3.3V), CML or LVDS input interface
- Selectable differential inputs to four LVDS outputs
- 2.5V V_{DD}
- 0°C to 70°C ambient operating temperature
- Available in standard (RoHS 5) and lead-free (RoHS 6) packages

Applications

- Clock distribution

Pin Assignment



IDT5T9304

24-Lead TSSOP

4.4mm x 7.8mm x 1.0mm package body

G Package

Top View

Block Diagram

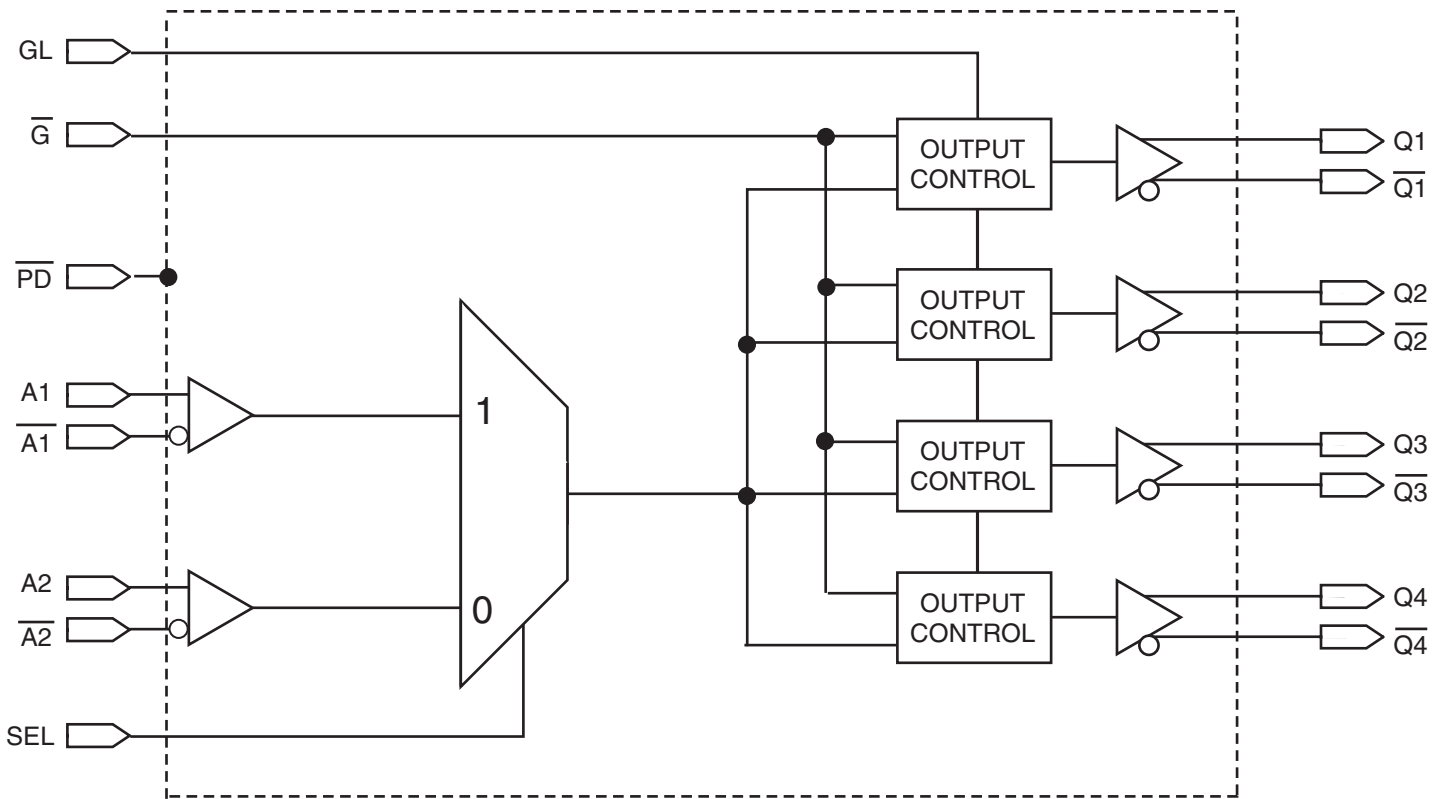


Table 1. Pin Descriptions

Number	Name	Type		Description
1, 12, 22	GND		Power	Power supply return for all power.
2	$\overline{\text{PD}}$	Input	LVTTL	Power-down control. Shuts off entire chip. If LOW, the device goes into low power mode. Inputs and outputs are disabled. Both Qx and $\overline{\text{Qx}}$ outputs will pull to VDD. Set HIGH for normal operation. ⁽³⁾
3	RESERVED	Reserved		Reserved pin.
4, 9, 16, 21	V _{DD}		Power	Power supply for the device core and inputs.
5, 7, 18, 20	$\overline{\text{Q1}}, \overline{\text{Q2}}, \overline{\text{Q4}}, \overline{\text{Q3}}$	Output	LVDS	Complementary differential clock outputs.
6, 8, 17, 19	Q1, Q2, Q4, Q3	Output	LVDS	Differential clock outputs.
10	SEL	Input	LVTTL	Reference clock select. When LOW, selects A2 and $\overline{\text{A2}}$. When HIGH, selects A1 and $\overline{\text{A1}}$.
11	$\overline{\text{G}}$	Input	LVTTL	Gate control for differential outputs Q1 and $\overline{\text{Q1}}$ through Q4 and $\overline{\text{Q4}}$. When $\overline{\text{G}}$ is LOW, the differential outputs are active. When $\overline{\text{G}}$ is HIGH, the differential outputs are asynchronously driven to the level designated by GL ⁽²⁾ .
13, 24	A1, A2	Input	Adjustable ^(1, 4)	Clock input. A[1:2] is the "true" side of the differential clock input.
14, 23	$\overline{\text{A1}}, \overline{\text{A2}}$	Input	Adjustable ^(1, 4)	Complementary clock inputs. $\overline{\text{A[1:2]}}$ is the complementary side of A[1:2]. For LVTTL single-ended operation, A[1:2] should be set to the desired toggle voltage for A[1:2]: 3.3V LVTTL VREF = 1650mV 2.5V LVTTL VREF = 1250mV
15	GL	Input	LVTTL	Specifies output disable level. If HIGH, Qx outputs disable HIGH and $\overline{\text{Qx}}$ outputs disable LOW. If LOW, Qx outputs disable LOW and $\overline{\text{Qx}}$ outputs disable HIGH.

NOTES:

- Inputs are capable of translating the following interface standards:
Single-ended 3.3V and 2.5V LVTTL levels
Differential HSTL and eHSTL levels
Differential LVEPECL (2.5V) and LVPECL (3.3V) levels
Differential LVDS levels
Differential CML levels
- Because the gate controls are asynchronous, runt pulses are possible. It is the user's responsibility to either time the gate control signals to minimize the possibility of runt pulses or be able to tolerate them in down stream circuitry.
- It is recommended that the outputs be disabled before entering power-down mode. It is also recommended that the outputs remain disabled until the device completes power-up after asserting $\overline{\text{PD}}$.
- The user must take precautions with any differential input interface standard being used in order to prevent instability when there is no input signal.

Table 2. Pin Characteristics (T_A = +25°C, F = 1.0MHz)

Symbol	Parameter	Test Conditions	Minimum	Typical	Maximum	Units
C _{IN}	Input Capacitance			3		pF

NOTE: This parameter is measured at characterization but not tested.

Function Tables

Table 3A. Gate Control Output Table

Control Output		Outputs	
GL	\overline{G}	Q[1:4]	$\overline{Q[1:4]}$
0	0	Toggling	Toggling
0	1	LOW	HIGH
1	0	Toggling	Toggling
1	1	HIGH	LOW

Table 3B. Input Selection Table

Selection SEL pin	Inputs
0	A2, $\overline{A2}$
1	A1, $\overline{A1}$

Absolute Maximum Ratings

NOTE: Stresses beyond those listed under *Absolute Maximum Ratings* may cause permanent damage to the device. These ratings are stress specifications only. Functional operation of product at these conditions or any conditions beyond those listed in the *DC Characteristics* or *AC Characteristics* is not implied. Exposure to absolute maximum rating conditions for extended periods may affect product reliability.

Item	Rating
Power Supply Voltage, V_{DD}	-0.5V to +3.6V
Input Voltage, V_I	-0.5V to +3.6V
Output Voltage, V_O Not to exceed 3.6V	-0.5 to $V_{DD} + 0.5V$
Storage Temperature, T_{STG}	-65°C to 150°C
Junction Temperature, T_J	150°C

Recommended Operating Range

Symbol	Description	Minimum	Typical	Maximum	Units
T_A	Ambient Operating Temperature	0	25	70	°C
V_{DD}	Internal Power Supply Voltage	2.3	2.5	2.7	V

DC Electrical Characteristics

Table 4A. LVDS Power Supply DC Characteristics⁽¹⁾, $V_{DD} = 2.5V \pm 0.2V$, $T_A = 0^\circ C$ to $70^\circ C$

Symbol	Parameter	Test Conditions	Minimum	Typical ⁽²⁾	Maximum	Units
I_{DDQ}	Quiescent V_{DD} Power Supply Current	$V_{DD} = \text{Max.}$, All Input Clocks = LOW ⁽²⁾ ; Output enabled			240	mA
I_{TOT}	Total Power V_{DD} Supply Current	$V_{DD} = 2.7V$; $F_{REFERENCE}$ Clock = 450MHz			250	mA
I_{PD}	Total Power Down Supply Current	$\overline{PD} = \text{LOW}$			5	mA

NOTE 1. These power consumption characteristics are for all the valid input interfaces and cover the worst case conditions.

NOTE 2. The true input is held LOW and the complementary input is held HIGH.

Table 4B. LVCMOS/LVTTL DC Characteristics⁽¹⁾, $V_{DD} = 2.5V \pm 0.2V$, $T_A = 0^\circ C$ to $70^\circ C$

Symbol	Parameter	Test Conditions	Minimum	Typical ⁽²⁾	Maximum	Units
I_{IH}	Input High Current	$V_{DD} = 2.7V$			± 5	μA
I_{IL}	Input Low Current	$V_{DD} = 2.7V$			± 5	μA
V_{IK}	Clamp Diode Voltage	$V_{DD} = 2.3V$, $I_{IN} = -18mA$		-0.7	-1.2	V
V_{IN}	DC Input Voltage		-0.3		3.6	V
V_{IH}	DC Input High Voltage		1.7			V
V_{IL}	DC Input Low Voltage				0.7	V
V_{THI}	DC Input Threshold Crossing Voltage			$V_{DD}/2$		V
V_{REF}	Single-Ended Reference Voltage ⁽³⁾	3.3V LVTTL		1.65		V
		2.5V LVTTL		1.25		V

NOTE 1. See *Recommended Operating Range* table.

NOTE 2. Typical values are at $V_{DD} = 2.5V$, $+25^\circ C$ ambient.

NOTE 3. For A[1:2] single-ended operation, $\overline{A}[1:2]$ is tied to a DC reference voltage.

Table 4C. Differential DC Characteristics⁽¹⁾, $V_{DD} = 2.5V \pm 0.2V$, $T_A = 0^\circ C$ to $70^\circ C$

Symbol	Parameter	Test Conditions	Minimum	Typical ⁽²⁾	Maximum	Units
I_{IH}	Input High Current	$V_{DD} = 2.7V$			± 5	μA
I_{IL}	Input Low Current	$V_{DD} = 2.7V$			± 5	μA
V_{IK}	Clamp Diode Voltage	$V_{DD} = 2.3V$, $I_{IN} = -18mA$		-0.7	-1.2	V
V_{IN}	DC Input Voltage		-0.3		3.6	V
V_{DIF}	DC Differential Voltage ⁽³⁾		0.1			V
V_{CM}	DC Common Mode Input Voltage ⁽⁴⁾		0.05		V_{DD}	V

NOTE 1. See *Recommended Operating Range* table.

NOTE 2. Typical values are at $V_{DD} = 2.5V$, $+25^\circ C$ ambient.

NOTE 3. V_{DIF} specifies the minimum input differential voltage ($V_{TR} - V_{CP}$) required for switching where V_{TR} is the "true" input level and V_{CP} is the "complement" input level. The DC differential voltage must be maintained to guarantee retaining the existing HIGH or LOW input. The AC differential voltage must be achieved to guarantee switching to a new state.

NOTE 4. V_{CM} specifies the maximum allowable range of $(V_{TR} + V_{CP})/2$.

Table 4D. LVDS DC Characteristics⁽¹⁾, $V_{DD} = 2.5V \pm 0.2V$, $T_A = 0^\circ C$ to $70^\circ C$

Symbol	Parameter	Test Conditions	Minimum	Typical ⁽²⁾	Maximum	Units
$V_{OT(+)}$	Differential Output Voltage for the True Binary State		247		454	mV
$V_{OT(-)}$	Differential Output Voltage for the False Binary State		247		454	mV
ΔV_{OT}	Change in V_{OT} Between Complementary Output States				50	mV
V_{OS}	Output Common Mode Voltage (Offset Voltage)		1.125	1.2	1.375	V
ΔV_{OS}	Change in V_{OS} Between Complementary Output States				50	mV
I_{OS}	Outputs Short Circuit Current	V_{OUT+} and $V_{OUT-} = 0V$		12	24	mA
I_{OSD}	Differential Outputs Short Circuit Current	$V_{OUT+} = V_{OUT-}$		6	12	mA

NOTE 1. See *Recommended Operating Range* table.

NOTE 2. Typical values are at $V_{DD} = 2.5V$, $+25^\circ C$ ambient.

AC Electrical Characteristics

Table 5A. HSTL Differential Input AC Characteristics, $V_{DD} = 2.5V \pm 0.2V$, $T_A = 0^\circ C$ to $70^\circ C$

Symbol	Parameter	Value	Units
V_{DIF}	Input Signal Swing ⁽¹⁾	1	V
V_X	Differential Input Signal Crossing Point ⁽²⁾	750	mV
D_H	Duty Cycle	50	%
V_{THI}	Input Timing Measurement Reference Level ⁽³⁾	Crossing Point	V
t_R / t_F	Input Signal Edge Rate ⁽⁴⁾	2	V/ns

NOTE 1. The 1V peak-to-peak input pulse level is specified to allow consistent, repeatable results in an automatic test equipment (ATE) environment. This device meets the V_{DIF} (AC) specification under actual use conditions.

NOTE 2. A 750mV crossing point level is specified to allow consistent, repeatable results in an automatic test equipment (ATE) environment. This device meets the V_X specification under actual use conditions.

NOTE 3. In all cases, input waveform timing is marked at the differential cross-point of the input signals.

NOTE 4. The input signal edge rate of 2V/ns or greater is to be maintained in the 20% to 80% range of the input waveform.

Table 5B. eHSTL AC Differential Input Characteristics, $V_{DD} = 2.5V \pm 0.2V$, $T_A = 0^\circ C$ to $70^\circ C$

Symbol	Parameter	Value	Units
V_{DIF}	Input Signal Swing ⁽¹⁾	1	V
V_X	Differential Input Signal Crossing Point ⁽²⁾	900	mV
D_H	Duty Cycle	50	%
V_{THI}	Input Timing Measurement Reference Level ⁽³⁾	Crossing Point	V
t_R / t_F	Input Signal Edge Rate ⁽⁴⁾	2	V/ns

NOTE 1. The 1V peak-to-peak input pulse level is specified to allow consistent, repeatable results in an automatic test equipment (ATE) environment. This device meets the V_{DIF} (AC) specification under actual use conditions.

NOTE 2. A 900mV crossing point level is specified to allow consistent, repeatable results in an automatic test equipment (ATE) environment. This device meets the V_X specification under actual use conditions.

NOTE 3. In all cases, input waveform timing is marked at the differential cross-point of the input signals.

NOTE 4. The input signal edge rate of 2V/ns or greater is to be maintained in the 20% to 80% range of the input waveform.

Table 5C. LVEPECL (2.5V) and LVPECL (3.3V) Differential Input AC Characteristics, $V_{DD} = 2.5V \pm 0.2V$, $T_A = 0^\circ C$ to $70^\circ C$

Symbol	Parameter	Maximum	Units
V_{DIF}	Input Signal Swing ⁽¹⁾	732	mV
V_X	Differential Input Cross Point Voltage ⁽²⁾	LVEPECL	1082
		LVPECL	1880
D_H	Duty Cycle	50	%
V_{THI}	Input Timing Measurement Reference Level ⁽³⁾	Crossing Point	V
t_R / t_F	Input Signal Edge Rate ⁽⁴⁾	2	V/ns

NOTE 1. The 732mV peak-to-peak input pulse level is specified to allow consistent, repeatable results in an automatic test equipment (ATE) environment. This device meets the V_{DIF} (AC) specification under actual use conditions.

NOTE 2. A 1082mV LVEPECL (2.5V) and 1880mV LVPECL (3.3V) crossing point level is specified to allow consistent, repeatable results in an automatic test equipment (ATE) environment. This device meets the V_X specification under actual use conditions.

NOTE 3. In all cases, input waveform timing is marked at the differential cross-point of the input signals.

NOTE 4. The input signal edge rate of 2V/ns or greater is to be maintained in the 20% to 80% range of the input waveform.

Table 5D. LVDS Differential Input AC Characteristics, $T_A = 0^\circ C$ to $70^\circ C$

Symbol	Parameter	Maximum	Units
V_{DIF}	Input Signal Swing ⁽¹⁾	400	mV
V_X	Differential Input Cross Point Voltage ⁽²⁾	1.2	V
D_H	Duty Cycle	50	%
V_{THI}	Input Timing Measurement Reference Level ⁽³⁾	Crossing Point	V
t_R / t_F	Input Signal Edge Rate ⁽⁴⁾	2	V/ns

NOTE 1. The 400mV peak-to-peak input pulse level is specified to allow consistent, repeatable results in an automatic test equipment (ATE) environment. This device meets the V_{DIF} (AC) specification under actual use conditions.

NOTE 2. A 1.2V crossing point level is specified to allow consistent, repeatable results in an automatic test equipment (ATE) environment. This device meets the V_X specification under actual use conditions.

NOTE 3. In all cases, input waveform timing is marked at the differential cross-point of the input signals.

NOTE 4. The input signal edge rate of 2V/ns or greater is to be maintained in the 20% to 80% range of the input waveform.

Table 5E. AC Differential Input Characteristics⁽¹⁾, $V_{DD} = 2.5V \pm 0.2V$, $T_A = 0^\circ C$ to $70^\circ C$

Symbol	Parameter	Minimum	Typical	Maximum	Units
V_{DIF}	AC Differential Voltage ⁽²⁾	0.1		3.6	V
V_X	Differential Input Cross Point Voltage	0.05		V_{DD}	V
V_{CM}	Common Mode Input Voltage Range ⁽³⁾	0.05		V_{DD}	V
V_{IN}	Input Voltage	-0.3		3.6	V

NOTE 1. The output will not change state until the inputs have crossed and the minimum differential voltage range defined by V_{DIF} has been met or exceeded.

NOTE 2. V_{DIF} specifies the minimum input voltage ($V_{TR} - V_{CP}$) required for switching where V_{TR} is the “true” input level and V_{CP} is the “complement” input level. The AC differential voltage must be achieved to guarantee switching to a new state.

NOTE 3. V_{CM} specified the maximum allowable range of $(V_{TR} + V_{CP}) / 2$.

Table 5F. AC Characteristics^(1,5), $V_{DD} = 2.5V \pm 0.2V$, $T_A = 0^\circ C$ to $70^\circ C$

Symbol	Parameter	Test Conditions	Minimum	Typical	Maximum	Units
$t_{sk(o)}$	Same Device Output Pin-to-Pin Skew ⁽²⁾				50	ps
$t_{sk(p)}$	Pulse Skew ⁽³⁾				125	ps
$t_{sk(pp)}$	Part-to-Part Skew ⁽⁴⁾				300	ps
t_{pLH}	Propagation Delay, Low-to-High	A Crosspoint to Qn, \overline{Qn} Crosspoint		1.25	1.75	ns
t_{pHL}	Propagation Delay, High-to-Low			1.25	1.75	ns
f_o	Frequency Range ⁽⁶⁾				450	MHz
t_{PGE}	Output Gate Enable Crossing V _{THI} -to-Qn/ \overline{Qn} Crosspoint				3.5	ns
t_{PGD}	Output Gate Enable Crossing V _{THI} -to-Qn/ \overline{Qn} Crosspoint Driven to Designated Level				3.5	ns
t_{PWRDN}	PD Crossing V _{THI} -to-Qn = V_{DD} , $\overline{Qn} = V_{DD}$				100	μS
t_{PWRUP}	Output Gate Disable Crossing V _{THI} to Qn/ \overline{Qn} Driven to Designated Level				100	μS
t_R / t_F	Output Rise/Fall Time ⁽⁶⁾	20% to 80%	125		600	ps

NOTE. Electrical parameters are guaranteed over the specified ambient operating temperature range, which is established when the device is mounted in a test socket with maintained transverse airflow greater than 500 lfm. The device will meet specifications after thermal equilibrium has been reached under these conditions.

NOTE 1. AC propagation measurements should not be taken within the first 100 cycles of startup.

NOTE 2. Skew measured between Crosspoint of all differential output pairs under identical input and output interfaces, transitions and load conditions on any one device.

NOTE 3. Skew measured is the difference between propagation delay times t_{pHL} and t_{pLH} of any differential output pair under identical input and output interfaces, transitions and load conditions on any one device.

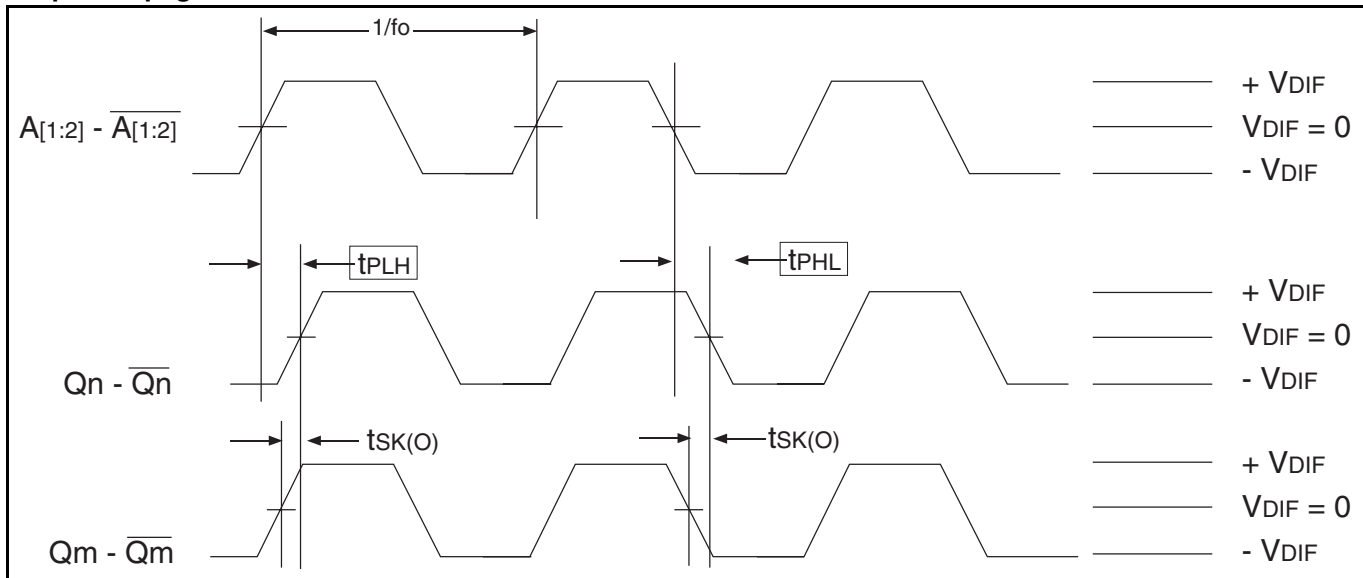
NOTE 4. Skew measured is the magnitude of the difference in propagation times between any single differential output pair of two devices, given identical transitions and load conditions at identical V_{DD} levels and temperature.

NOTE 5. All parameters are tested with a 50% input duty cycle.

NOTE 6. Guaranteed by design but not production tested.

Differential AC Timing Waveforms

Output Propagation and Skew Waveforms



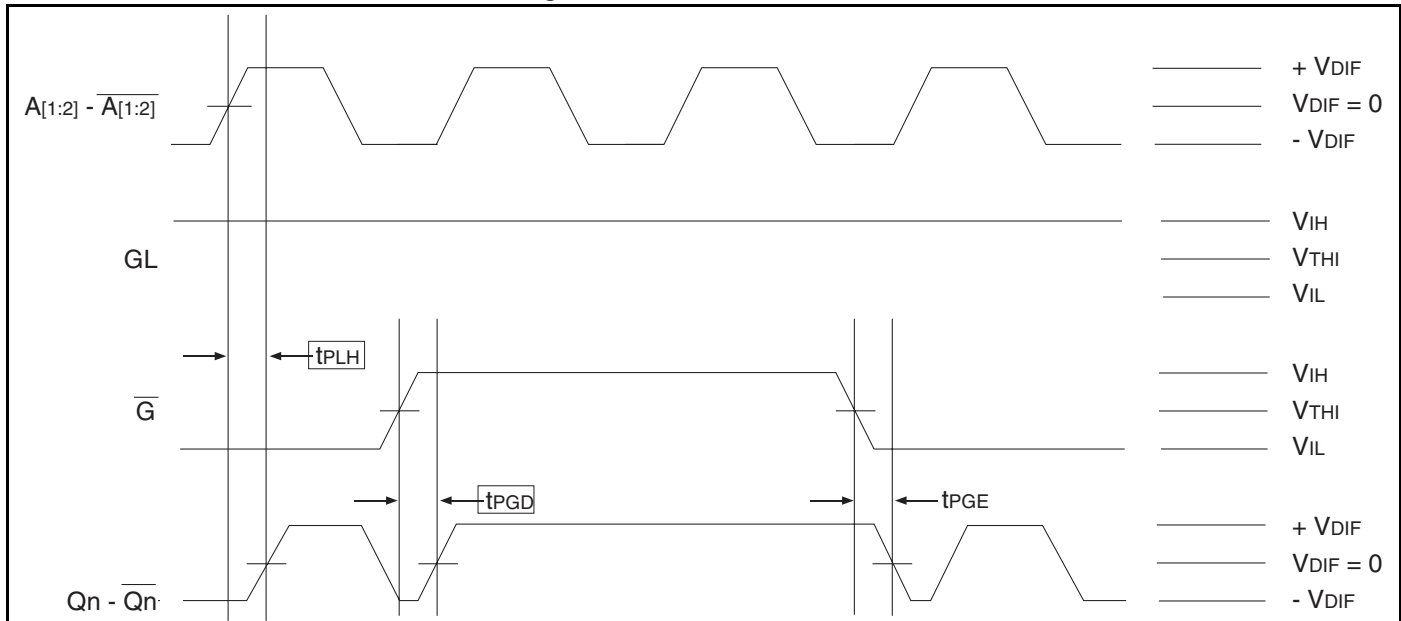
NOTE 1: Pulse skew is calculated using the following expression:

$$t_{sk(p)} = |t_{p_{HL}} - t_{p_{LH}}|$$

Note that the $t_{p_{HL}}$ and $t_{p_{LH}}$ shown above are not valid measurements for this calculation because they are not taken from the same pulse.

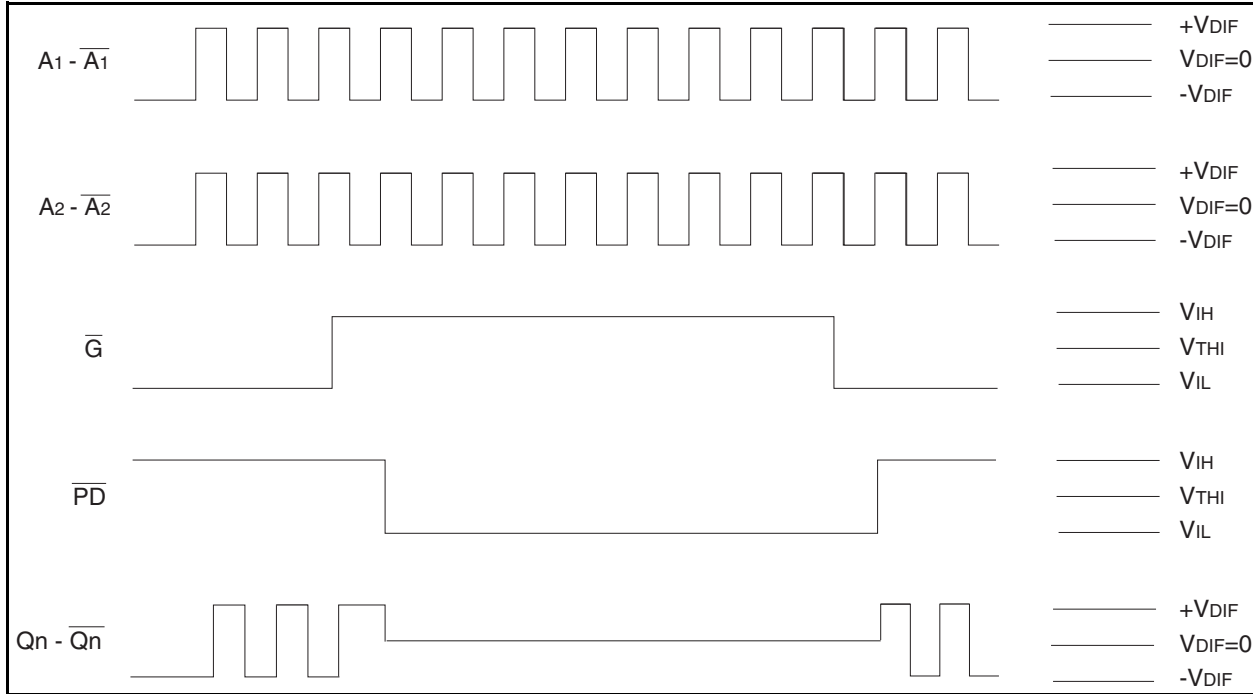
NOTE 2: AC propagation measurements should not be taken within the first 100 cycles of startup.

Differential Gate Disabled/Endable Showing Runt Pulse Generation



NOTE 1: As shown, it is possible to generate runt pulses on gate disable and enable of the outputs. It is the user's responsibility to time the \overline{G} signal to avoid this problem.

Power Down Timing



NOTE 1: It is recommended that outputs be disabled before entering power-down mode. It is also recommended that the outputs remain disabled until the device completes power-up after asserting \overline{PD} .

NOTE 2: The *Power Down Timing* diagram assumes that GL is HIGH.

NOTE 3: It should be noted that during power-down mode, the outputs are both pulled to V_{DD} . In the *Power Down Timing* diagram this is shown when Qn/ \overline{Qn} goes to $V_{DIF} = 0$.

Test Circuit for Differential Input

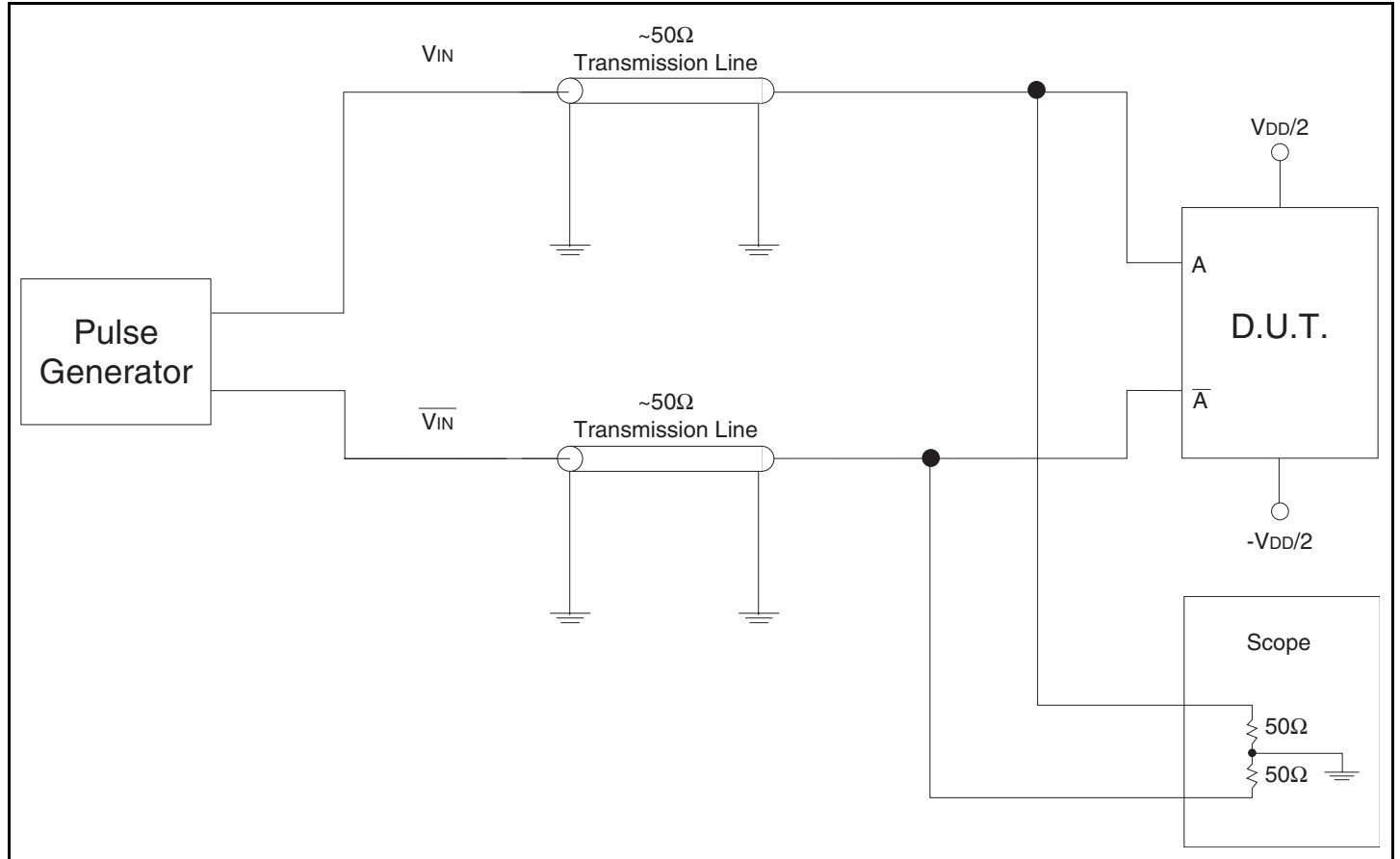
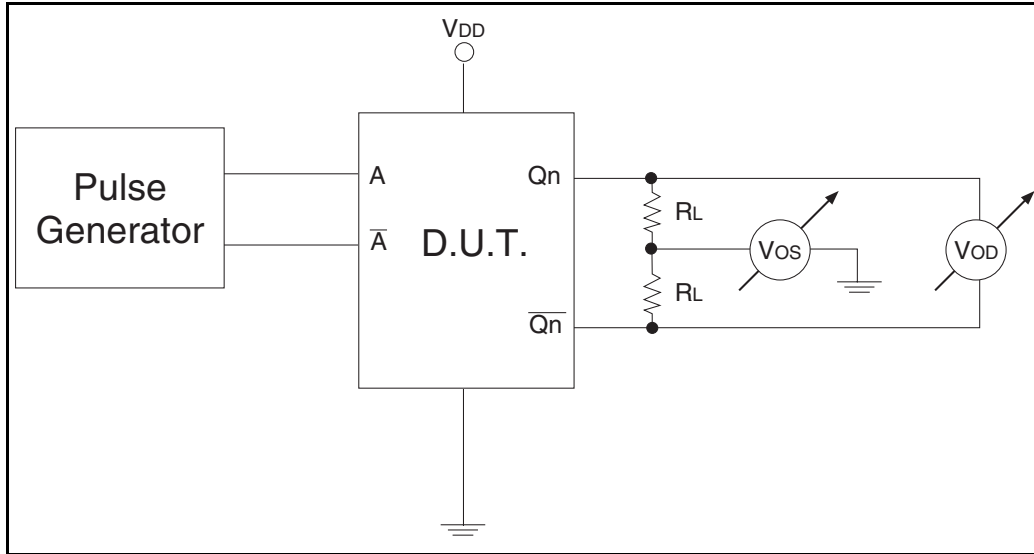


Table 6A. Differential Input Test Conditions

Symbol	$V_{DD} = 2.5V \pm 0.2V$	Unit
V_{THI}	Crossing of A and \overline{A}	V

Test Circuit for DC Outputs and Power Down Tests



Test Circuit for Propagation, Skew, and Gate Enable/Disable Timing

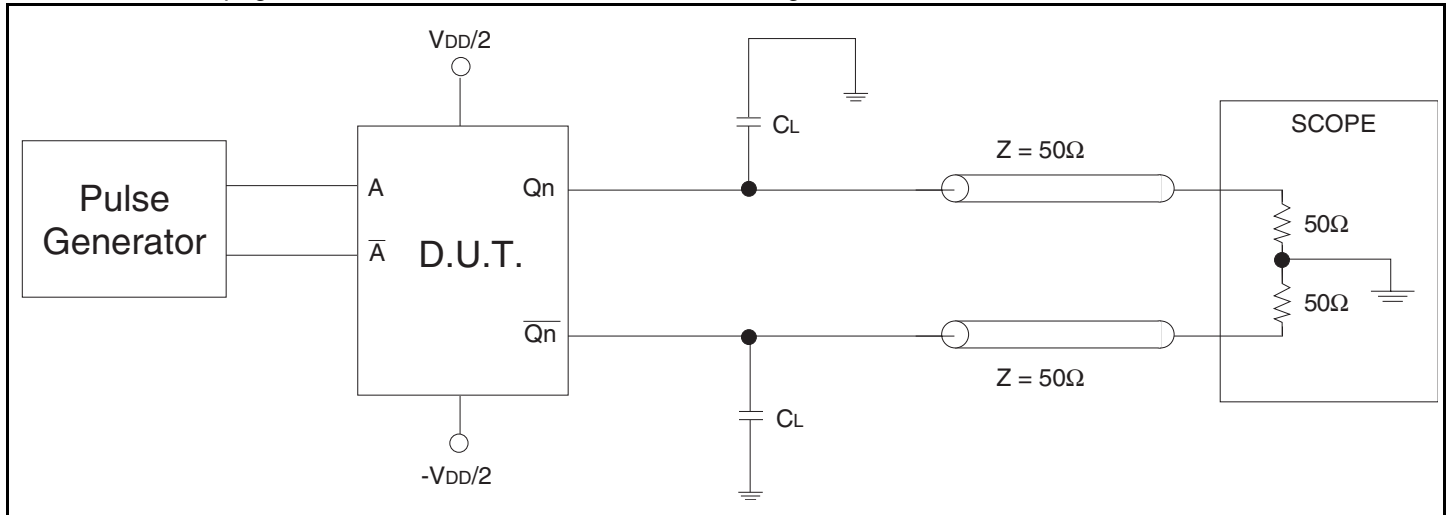


Table 6B. Differential Input Test Conditions

Symbol	$V_{DD} = 2.5V \pm 0.2V$	Unit
C_L	$0^{(1)}$	pF
	$8^{(1,2)}$	pF
R_L	50	Ω

NOTE 1: Specifications only apply to “Normal Operations” test condition. The T_{IA}/E_{IA} specification load is for reference only.

NOTE 2: The scope inputs are assumed to have a 2pF load to ground. $T_{IA}/E_{IA} - 644$ specifies 5pF between the output pair. With $C_L = 8pF$, this gives the test circuit appropriate 5pF equivalent load.

Package Outline and Package Dimensions

Package Outline - G Suffix for 24 Lead TSSOP

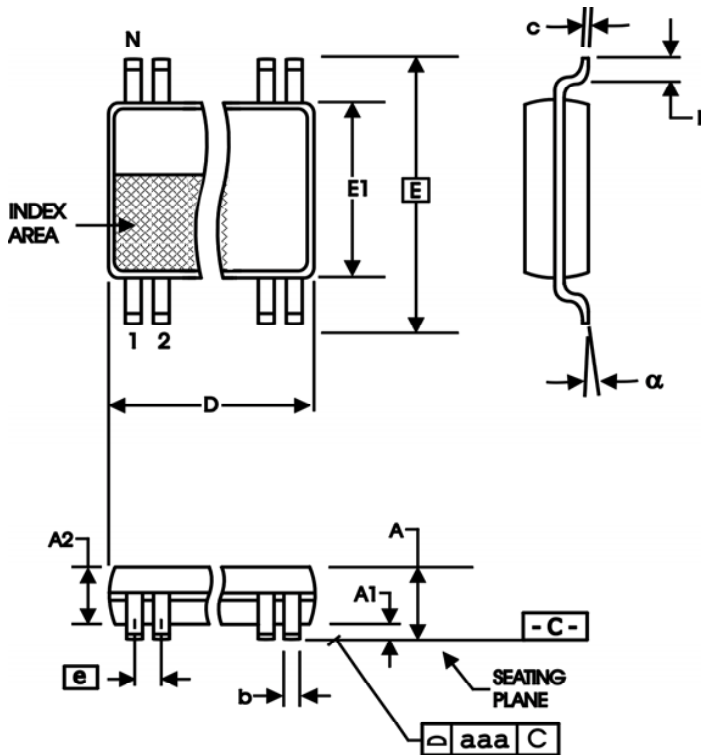


Table 7. Package Dimensions

All Dimensions in Millimeters		
Symbol	Minimum	Maximum
N	24	
A		1.20
A1	0.5	0.15
A2	0.80	1.05
b	0.19	0.30
c	0.09	0.20
D	7.70	7.90
E	6.40 Basic	
E1	4.30	4.50
e	0.65 Basic	
L	0.45	0.75
α	0°	8°
aaa		0.10

Reference Document: JEDEC Publication 95, MO-153

Ordering Information

Table 8. Ordering Information

IDT	XXXXX	XX	X	
	Device Type	Package	Process	
				0°C to +70°C (Commercial)
				PG PGG
				Thin Shrink Small Outline Package TSSOP - Green
				5T9304
				2.5V LVDS 1:4 Glitchless Clock Buffer Terabuffer™ II

While the information presented herein has been checked for both accuracy and reliability, Integrated Device Technology (IDT) assumes no responsibility for either its use or for the infringement of any patents or other rights of third parties, which would result from its use. No other circuits, patents, or licenses are implied. This product is intended for use in normal commercial applications. Any other applications, such as those requiring extended temperature ranges, high reliability or other extraordinary environmental requirements are not recommended without additional processing by IDT. IDT reserves the right to change any circuitry or specifications without notice. IDT does not authorize or warrant any IDT product for use in life support devices or critical medical instruments.



www.IDT.com

6024 Silver Creek Valley Road
San Jose, California 95138

Sales
800-345-7015 (inside USA)
+408-284-8200 (outside USA)
Fax: 408-284-2775
www.IDT.com/go/contactIDT

Technical Support
netcom@idt.com
+480-763-2056

DISCLAIMER Integrated Device Technology, Inc. (IDT) and its subsidiaries reserve the right to modify the products and/or specifications described herein at any time and at IDT's sole discretion. All information in this document, including descriptions of product features and performance, is subject to change without notice. Performance specifications and the operating parameters of the described products are determined in the independent state and are not guaranteed to perform the same way when installed in customer products. The information contained herein is provided without representation or warranty of any kind, whether express or implied, including, but not limited to, the suitability of IDT's products for any particular purpose, an implied warranty of merchantability, or non-infringement of the intellectual property rights of others. This document is presented only as a guide and does not convey any license under intellectual property rights of IDT or any third parties.

IDT's products are not intended for use in life support systems or similar devices where the failure or malfunction of an IDT product can be reasonably expected to significantly affect the health or safety of users. Anyone using an IDT product in such a manner does so at their own risk, absent an express, written agreement by IDT.

Integrated Device Technology, IDT and the IDT logo are registered trademarks of IDT. Other trademarks and service marks used herein, including protected names, logos and designs, are the property of IDT or their respective third party owners.

Copyright 2010. All rights reserved.