

# Clock Generator for PowerQUICC III

# MPC9855

The MPC9855 is a PLL based clock generator specifically designed for Freescale Microprocessor and Microcontroller applications including the PowerPC and PowerQUICC. This device generates a microprocessor input clock. The microprocessor clock is selectable in output frequency to any of the commonly used microprocessor input and bus frequencies. The device offers eight low skew clock outputs in two banks, each configurable to support different clock frequencies. The extended temperature range of the MPC9855 supports telecommunication and networking requirements.

### Features

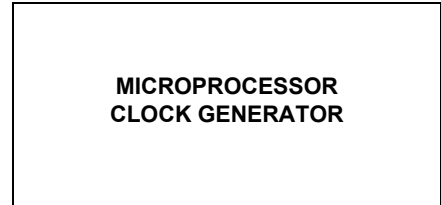
- 8 LVCMOS outputs for processor and other circuitry
- Crystal oscillator or external reference input
- 25 or 33 MHz Input reference frequency
- Selectable output frequencies include = 200, 166, 133, 125, 111, 100, 83, 66, 50, 33, or 16 MHz
- Buffered reference clock output (2 copies)
- Low cycle-to-cycle and period jitter
- 100-lead PBGA package
- 100-lead Pb-free Package Available
- 3.3 V supply with 3.3 V or 2.5 V LVCMOS output supplies
- Supports computing, networking, telecommunications applications
- Ambient temperature range  $-40^{\circ}\text{C}$  to  $+85^{\circ}\text{C}$

### Functional Description

The MPC9855 uses either a 25 or 33 MHz reference frequency to generate 8 LVCMOS output clocks, of which, the frequency is selectable from 16 MHz to 200 MHz. The reference is applied to the input of a PLL and multiplied to 2 GHz. Output dividers, divide this frequency by 10, 12, 15, 16, 18, 20, 24, 30, 40, 60, or 120 to produce output frequencies of 200, 166, 133, 125, 111, 100, 83, 66, 50, 33, or 16 MHz. The single-ended LVCMOS outputs provide 8 low skew outputs for use in driving a microprocessor or microcontroller clock input as well as other system components. The input reference, either crystal or external input is also buffered to a separate dual outputs that may be used as the clock source for a Ethernet PHY if desired.

The reference clock may be provided by either an external clock input of 25 or 33 MHz. An internal oscillator requiring a 25 MHz crystal for frequency control may also be used. The external clock source may be applied to either of two clock inputs and selected via the CLK\_SEL control input. Both single ended LVCMOS and differential LVPECL inputs are available. The crystal oscillator or external clock input is selected via the input pin of XTAL\_SEL. Other than the crystal, no external components are required for crystal oscillator operation. The REF\_33 MHz configuration pin is used to select between a 33 and 25 MHz input frequency.

The MPC9855 is packaged in a 100 lead MAPBGA package to optimize both performance and board density.



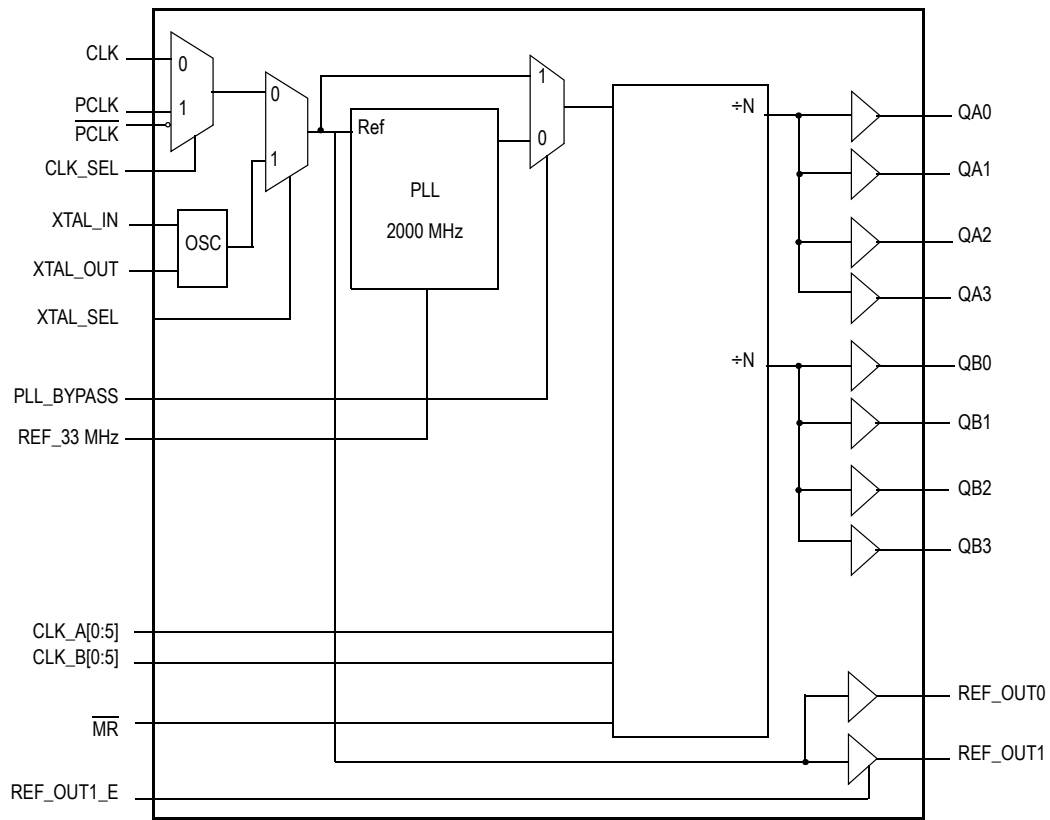


Figure 1. MPC9855 Logic Diagram

Table 1. Pin Configurations

Pin	I/O	Type	Function	Supply	Active/State
CLK	Input	LVC MOS	PLL Reference Clock Input (pull-down)	V <sub>DD</sub>	—
PCLK, $\overline{\text{PCLK}}$	Input	LVPECL	PLL reference clock input (PCLK — pull-down, $\overline{\text{PCLK}}$ — pull-up and pull-down)	V <sub>DD</sub>	—
QA0, QA1, QA2, QA3	Output	LVC MOS	Clock Outputs	V <sub>DDOA</sub>	—
QB0, QB1, QB2, QB3	Output	LVC MOS	Clock Outputs	V <sub>DDOB</sub>	—
REF_OUT0 REF_OUT1	Output	LVC MOS	Reference Output (25 MHz or 33 MHz)	V <sub>DD</sub>	—
XTAL_IN	Input	LVC MOS	Crystal Oscillator Input Pin	V <sub>DD</sub>	—
XTAL_OUT	Output	LVC MOS	Crystal Oscillator Output Pin	V <sub>DD</sub>	—
CLK_SEL	Input	LVC MOS	Select between CLK and PCLK input (pull-down)	V <sub>DD</sub>	High
XTAL_SEL	Input	LVC MOS	Select between External Input and Crystal Oscillator Input (pull-down)	V <sub>DD</sub>	High
REF_33 MHz	Input	LVC MOS	Selects 33MHz input (pull-down)	V <sub>DD</sub>	High
REF_OUT1_E	Input	LVC MOS	Enables REF_OUT1 output (pull-down)	V <sub>DD</sub>	High
$\overline{\text{MR}}$	Input	LVC MOS	Master Reset (pull-up)	V <sub>DD</sub>	Low
PLL_BYPASS	Input	LVC MOS	Select PLL or static test mode (pull-down)	V <sub>DD</sub>	High
CLK_A[0:5] <sup>(1)</sup>	Input	LVC MOS	Configures Bank A clock output frequency (pull-up)	V <sub>DD</sub>	—
CLK_B[0:5] <sup>(2)</sup>	Input	LVC MOS	Configures Bank B clock output frequency (pull-up)	V <sub>DD</sub>	—
V <sub>DD</sub>	—	—	3.3 V Supply	—	—
V <sub>DDA</sub>	—	—	Analog Supply	—	—
V <sub>DDOA</sub>	—	—	Output Supply — Bank A	—	—
V <sub>DDOB</sub>	—	—	Output Supply — Bank B	—	—
GND	—	—	Ground	—	—

1. PowerPC bit ordering (bit 0 = msb, bit 5 = lsb)

2. PowerPC bit ordering (bit 0 = msb, bit 5 = lsb)

Table 2. Function Table

Control	Default	0	1
CLK_SEL	0	CLK	PCLK
XTAL_SEL	0	CLKx	XTAL
PLL_BYPASS	0	Normal	Bypass
REF_OUT1_E	0	Disables REF_OUT1	Enables REF_OUT1
REF_33 MHz	0	Selects 25 MHz Reference	Selects 33 MHz Reference
$\overline{\text{MR}}$	1	Reset	Normal

CLK\_A and CLK\_B control output frequencies. See Table 3 for specific device configuration

Table 3. Output Configurations (Banks A &amp; B)

CLK_x[0:5] <sup>(1)</sup>	CLK_x[0] (msb)	CLK_x[1]	CLK_x[2]	CLK_x[3]	CLK_x[4]	CLK_x[5] (lsb)	N	Frequency (MHz)
111111	1	1	1	1	1	1	126	15.87
111100	1	1	1	1	0	0	120	16.67
101000	1	0	1	0	0	0	80	25.00
011110	0	1	1	1	1	0	60	33.33
010100	0	1	0	1	0	0	40	50.00
001111	0	0	1	1	1	1	30	66.67
001100	0	0	1	1	0	0	24	83.33
001010	0	0	1	0	1	0	20	100.00
001001	0	0	1	0	0	1	18	111.11
001000	0	0	1	0	0	0	16	125.00
000111	0	0	0	1	1	1	15	133.33
000110	0	0	0	1	1	0	12	166.67
000101	0	0	0	1	0	1	10	200.00
000100	0	0	0	1	0	0	8 <sup>(2)</sup>	250

1. PowerPC bit ordering (bit 0 = msb, bit 5 = lsb)

2. Minimum value for N

## OPERATION INFORMATION

## Output Frequency Configuration

The MPC9855 was designed to provide the commonly used frequencies in PowerQUICC, PowerPC and other microprocessor systems. Table 3 lists the configuration values that will generate those common frequencies. The MPC9855 can generate numerous other frequencies that may be useful in specific applications. The output frequency ( $f_{out}$ ) of either Bank A or Bank B may be calculated by the following equation.

$$f_{out} = 2000 / N$$

where  $f_{out}$  is in MHz and  $N = 2 * CLK\_x[0:5]$

This calculation is valid for all values of N from 8 to 126. Note that N = 15 is a modified case of the configuration inputs

CLK\_x[0:5]. To achieve N = 15 CLK\_x[0:5] is configured to 00111 or 7.

## Crystal Input Operation

TBD

Power-Up and  $\overline{MR}$  Operation

Figure 2 defines the release time and the minimum pulse length for MR pin. The  $\overline{MR}$  release time is based upon the power supply being stable and within  $V_{DD}$  specifications. See Table 9 for actual parameter values. The MPC9855 may be configured after release of reset and the outputs will be stable for use after lock is obtained.

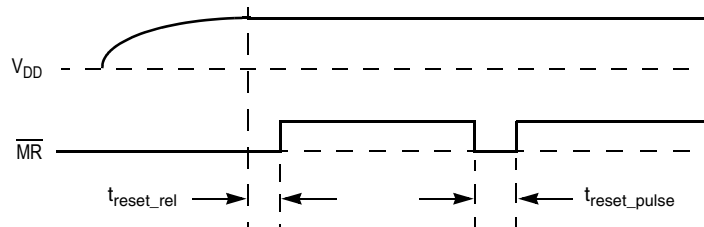


Figure 2.  $\overline{MR}$  Operation

## Power Supply Bypassing

The MPC9855 is a mixed analog/digital product. The architecture of the MPC9855 supports low noise signal operation at high frequencies. In order to maintain its superior signal quality, all  $V_{DD}$  pins should be bypassed by high-frequency ceramic capacitors connected to GND. If the spectral frequencies of the internally generated switching noise on the supply pins cross the series resonant point of an individual bypass capacitor, its overall impedance begins to look inductive and thus increases with increasing frequency. The parallel capacitor combination shown ensures that a low impedance path to ground exists for frequencies well above the noise bandwidth.

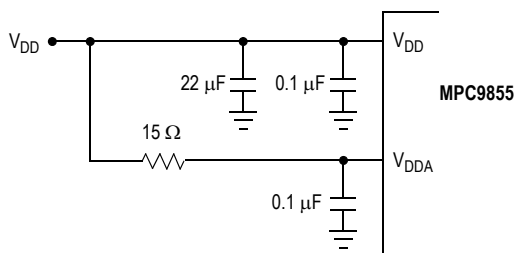


Figure 3.  $V_{CC}$  Power Supply Bypass

## Power Consumption Calculation

For unloaded outputs the power consumption of the MPC9855 can be calculated as follows.

$$P = V_{DD} * I_{DDBASE} + n_A * (V_{DDOA} ** 2 * C_{PD} * f_A) + n_B * (V_{DDOB} ** 2 * C_{PD} * f_B)$$

where

- $V_{DD}$  = core supply voltage
- $I_{DDBASE}$  = base supply current
- $n_A$  = number of A bank outputs (= 4)
- $n_B$  = number of B bank outputs (= 4)
- $V_{DDOA}$  = voltage supply on bank A outputs
- $V_{DDOB}$  = voltage supply on bank B outputs
- $C_{PD}$  = power dissipation capacitance
- $f_A$  = frequency of bank A outputs
- $f_B$  = frequency of bank B outputs

Table 4. Absolute Maximum Ratings<sup>(1)</sup>

Symbol	Characteristics	Min	Max	Unit	Condition
V <sub>DD</sub>	Supply Voltage (core)	-0.3	3.8	V	
V <sub>DDA</sub>	Supply Voltage (Analog Supply Voltage)	-0.3	V <sub>DD</sub>	V	
V <sub>DDOx</sub>	Supply Voltage (LVCMOS output for Bank A and B)	-0.3	V <sub>DD</sub>	V	
V <sub>IN</sub>	DC Input Voltage	-0.3	V <sub>DD</sub> +0.3	V	
V <sub>OUT</sub>	DC Output Voltage <sup>(2)</sup>	-0.3	V <sub>DDx</sub> +0.3	V	
I <sub>IN</sub>	DC Input Current		±20	mA	
I <sub>OUT</sub>	DC Output Current		±50	mA	
T <sub>S</sub>	Storage Temperature	-65	125	°C	

1. Absolute maximum continuous ratings are those maximum values beyond which damage to the device may occur. Exposure to these conditions or conditions beyond those indicated may adversely affect device reliability. Functional operation at absolute-maximum-rated conditions is not implied.

2. V<sub>DDx</sub> references power supply pin associated with specific output pin.

Table 5. General Specifications

Symbol	Characteristics	Min	Typ	Max	Unit	Condition
V <sub>TT</sub>	Output Termination Voltage		V <sub>DD</sub> ÷ 2		V	
HBM	ESD Protection (Human Body Model)	2000			V	
CDM	ESD Protection (Charged Device Model)	500			V	
LU	Latch-Up Immunity	100			mA	
C <sub>IN</sub>	Input Capacitance		4		pF	Inputs
C <sub>PD</sub>	Power Dissipation Capacitance		8		pF	Per Output
θ <sub>JA</sub>	Thermal Resistance (junction-to-ambient)		54.5		°C/W	Air flow = 0
T <sub>A</sub>	Ambient Temperature	-40		85	°C	

Table 6. DC Characteristics (T<sub>A</sub> = -40°C to 85°C)

Symbol	Characteristics	Min	Typ	Max	Unit	Condition
Supply Current for V <sub>DD</sub> = 3.3 V ± 5%						
I <sub>DDBASE</sub>	Base Supply Current (Core)		135	170	mA	V <sub>DD</sub> + V <sub>DDA</sub> pins, outputs unloaded
I <sub>DDA</sub>	Maximum Supply Current (Analog Supply)			15	mA	V <sub>DDIN</sub> pins

**Table 7. LVPECL DC Characteristics** ( $T_A = -40^\circ\text{C}$  to  $85^\circ\text{C}$ )<sup>(1)</sup>

Symbol	Characteristics	Min	Typ	Max	Unit	Condition
Differential LVPECL Clock Inputs (CLK1, $\overline{\text{CLK1}}$ ) for $V_{DD} = 3.3\text{ V} \pm 0.5\%$						
$V_{PP}$	Differential Voltage <sup>(2)</sup> (peak-to-peak) (LVPECL)	250			mV	
$V_{CMR}$	Differential Input Crosspoint Voltage <sup>(3)</sup> (LVPECL)	1.0		$V_{DD} - 0.6$	V	

1. AC characteristics are design targets and pending characterization.
2.  $V_{PP}$  is the minimum differential input voltage swing required to maintain AC characteristics including  $t_{PD}$  and device-to-device skew.
3.  $V_{CMR}$  (AC) is the crosspoint of the differential input signal. Normal AC operation is obtained when the crosspoint is within the  $V_{CMR}$  (AC) range and the input swing lies within the  $V_{PP}$  (AC) specification. Violation of  $V_{CMR}$  (AC) or  $V_{PP}$  (AC) impacts the device propagation delay, device and part-to-part skew.

**Table 8. LVCMOS I/O DC Characteristics** ( $T_A = -40^\circ\text{C}$  to  $85^\circ\text{C}$ )

Symbol	Characteristics	Min	Typ	Max	Unit	Condition
LVCMOS for $V_{DD} = 3.3\text{ V} \pm 5\%$						
$V_{IH}$	Input High Voltage	2.0		$V_{DD} + 0.3$	V	LVCMOS
$V_{IL}$	Input Low Voltage			0.8	V	LVCMOS
$I_{IN}$	Input Current <sup>(1)</sup>			$\pm 200$	$\mu\text{A}$	$V_{IN} = V_{DDL}$ or GND
LVCMOS for $V_{DD} = 3.3\text{ V} \pm 5\%$ , $V_{DDOA} = 3.3\text{ V} \pm 5\%$ and $V_{DDOB} = 3.3\text{ V} \pm 5\%$						
$V_{OH}$	Output High Voltage	2.4			V	$I_{OH} = -24\text{ mA}$
$V_{OL}$	Output Low Voltage			0.5	V	$I_{OL} = 24\text{ mA}$
$Z_{OUT}$	Output Impedance		14 – 17		$\Omega$	
LVCMOS for $V_{DD} = 3.3\text{ V} \pm 5\%$ , $V_{DDOA} = 2.5\text{ V} \pm 5\%$ and $V_{DDOB} = 2.5\text{ V} \pm 5\%$						
$V_{OH}$	Output High Voltage	1.9			V	$I_{OH} = -15\text{ mA}$
$V_{OL}$	Output Low Voltage			0.4	V	$I_{OL} = 15\text{ mA}$
$Z_{OUT}$	Output Impedance		18 – 22		$\Omega$	

1. Inputs have pull-down resistors affecting the input current.

**Table 9. AC Characteristics** ( $V_{DD} = 3.3\text{ V} \pm 5\%$ ,  $V_{DDOAB} = 3.3\text{ V} \pm 5\%$ ,  $T_A = -40^\circ\text{C}$  to  $+85^\circ\text{C}$ )<sup>(1) (2)</sup>

Symbol	Characteristics	Min	Typ	Max	Unit	Condition	
Input and Output Timing Specification							
$f_{ref}$	Input Reference Frequency (25 MHz input) Input Reference Frequency (33 MHz input) XTAL Input Input Reference Frequency in PLL Bypass Mode <sup>(3)</sup>		25 33 25		MHz MHz MHz MHz	PLL bypass	
$f_{VCO}$	VCO Frequency Range <sup>(4)</sup>		2000		MHz		
$f_{MCX}$	Output Frequency	Bank A output Bank B output	15.87 15.87		200 200	MHz MHz	PLL locked
$f_{refPW}$	Reference Input Pulse Width		2		ns		
$f_{refCcc}$	Input Frequency Accuracy			100	ppm		
$t_r, t_f$	Output Rise/Fall Time		150	500	ps	20% to 80%	
DC	Output Duty Cycle		43	50	57	%	Bank A and B
PLL Specifications							
$t_{LOCK}$	Maximum PLL Lock Time			10	ms		
$t_{reset\_ref}$	MR Hold Time on Power Up	10			ns		
$t_{reset\_pulse}$	MR Hold Time	10			ns		
Skew and Jitter Specifications							
$t_{sk(O)}$	Output-to-Output Skew (within a bank)			50	ps		
$t_{sk(O)}$	Output-to-Output Skew (across banks A and B)			400	ps	$V_{DDOA} = 3.3\text{ V}$ $V_{DDOB} = 3.3\text{ V}$	
$t_{JIT(CC)}$	Cycle-to-Cycle Jitter			200	ps	Bank A and B	
$t_{JIT(PER)}$	Period Jitter			200	ps	Bank A and B	
$t_{JIT(\emptyset)}$	I/O Phase Jitter		RMS ( $1\sigma$ )	50	ps	Bank A and B	
$t_r, t_f$	Output Rise/Fall Time			TBD	ns	20% to 80%	

1. AC characteristics are design targets and pending characterization.
2. AC characteristics apply for parallel output termination of  $50\Omega$  to  $V_{TT}$ .
3. In bypass mode, the MPC9855 divides the input reference clock.
4. The input reference frequency must match the VCO lock range divided by the total feedback divider ratio:  $f_{ref} = (f_{VCO} \div M) \cdot N$ .

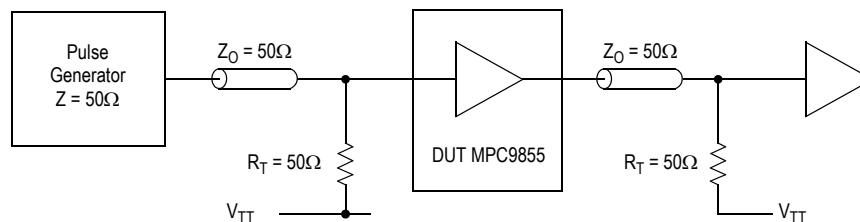
**Figure 4. MPC9855 AC Test Reference (LVCMOS Outputs)**

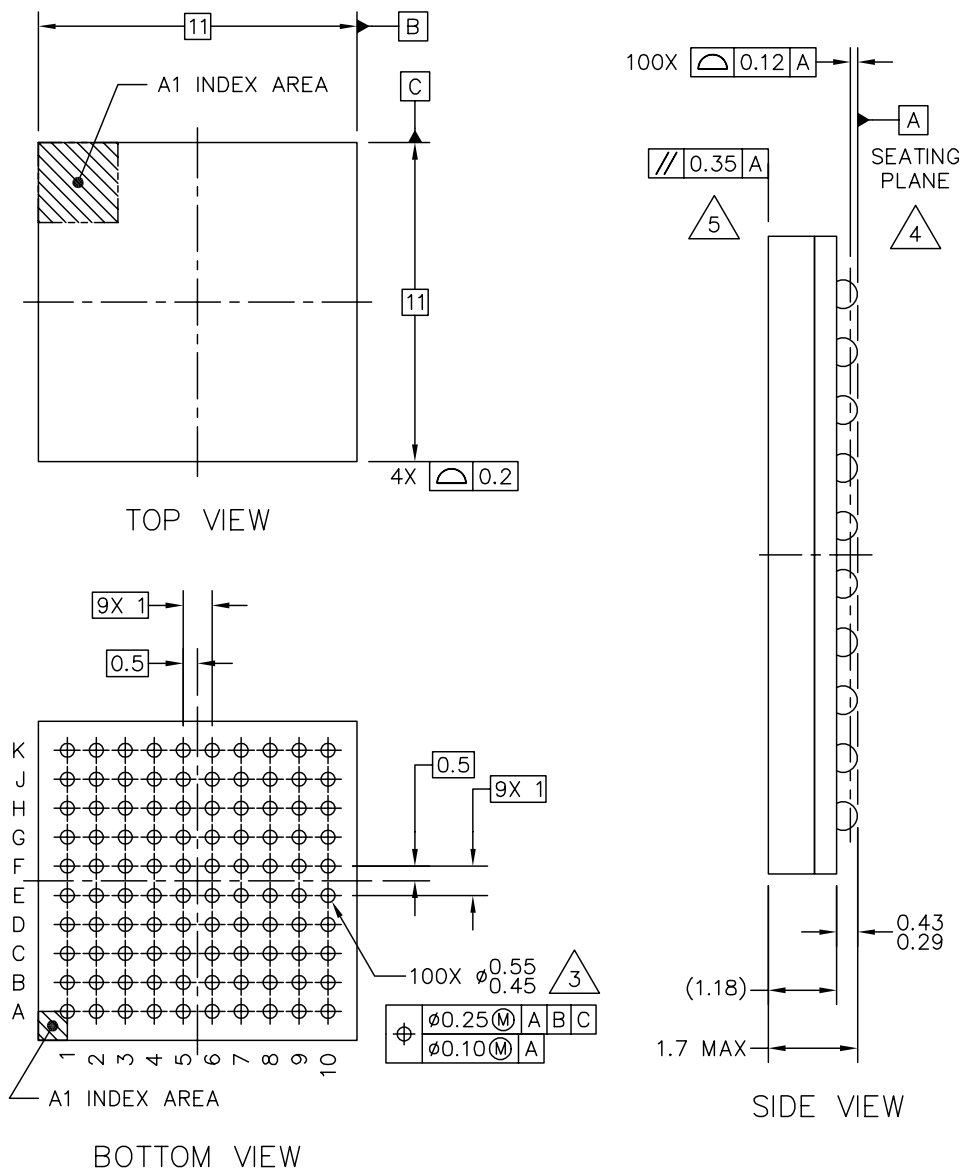
Table 10. MPC9855 Pin Diagram (Top View)

	1	2	3	4	5	6	7	8	9	10
A	V <sub>DDOA</sub>	V <sub>DDOA</sub>	CLKA[1]	CLKA[3]	CLKA[5]	V <sub>DD</sub>	QA1	QA2	V <sub>DDOA</sub>	V <sub>DDOA</sub>
B	V <sub>DDOA</sub>	V <sub>DDOA</sub>	CLKA[0]	CLKA[2]	CLKA[4]	QA0	V <sub>DDOA</sub>	QA3	V <sub>DDOA</sub>	V <sub>DDOA</sub>
C	RSVD	RSVD	V <sub>DD</sub>	V <sub>DD</sub>	V <sub>DD</sub>	V <sub>DD</sub>	V <sub>DD</sub>	V <sub>DD</sub>	V <sub>DD</sub>	REF_OUT[0]
D	V <sub>DDA</sub>	V <sub>DDA</sub>	V <sub>DD</sub>	GND	GND	GND	GND	V <sub>DD</sub>	RSVD	REF_OUT[1]
E	XTAL_SEL	CLK	V <sub>DD</sub>	GND	GND	GND	GND	V <sub>DD</sub>	V <sub>DD</sub>	GND
F	PCLK	PCLK	V <sub>DD</sub>	GND	GND	GND	GND	V <sub>DD</sub>	RSVD	RSVD
G	CLK_SEL	REF_33MHz	V <sub>DD</sub>	GND	GND	GND	GND	V <sub>DD</sub>	PLL_BYPASS	MR
H	XTAL_IN	XTAL_OUT	V <sub>DD</sub>	V <sub>DD</sub>	V <sub>DD</sub>	V <sub>DD</sub>	V <sub>DD</sub>	V <sub>DD</sub>	RSVD	REF_OUT1E
J	V <sub>DDOVB</sub>	V <sub>DDOVB</sub>	CLKB[0]	CLKB[2]	CLKB[4]	QB0	V <sub>DDOVB</sub>	QB3	V <sub>DDOVB</sub>	V <sub>DDOVB</sub>
K	V <sub>DDOVB</sub>	V <sub>DDOVB</sub>	CLKB[1]	CLKB[3]	CLKB[5]	V <sub>DD</sub>	QB1	QB2	V <sub>DDOVB</sub>	V <sub>DDOVB</sub>

Table 11. MPC9855 Pin List

Signal	100 Pin MAPBGA	Signal	100 Pin MAPBGA	Signal	100 Pin MAPBGA	Signal	100 Pin MAPBGA	Signal	100 Pin MAPBGA
V <sub>DDOA</sub>	A1	RSVD	C1	XTAL_SEL	E1	CLK_SEL	G1	V <sub>DDOVB</sub>	J1
V <sub>DDOA</sub>	A2	RSVD	C2	CLK	E2	REF_33MHz	G2	V <sub>DDOVB</sub>	J2
CLKA[1]	A3	V <sub>DD</sub>	C3	V <sub>DD</sub>	E3	V <sub>DD</sub>	G3	CLKB[0]	J3
CLKA[3]	A4	V <sub>DD</sub>	C4	GND	E4	GND	G4	CLKB[2]	J4
CLKA[5]	A5	V <sub>DD</sub>	C5	GND	E5	GND	G5	CLKB[4]	J5
V <sub>DD</sub>	A6	V <sub>DD</sub>	C6	GND	E6	GND	G6	QB0	J6
QA1	A7	V <sub>DD</sub>	C7	GND	E7	GND	G7	V <sub>DDOVB</sub>	J7
QA2	A8	V <sub>DD</sub>	C8	V <sub>DD</sub>	E8	V <sub>DD</sub>	G8	QB3	J8
V <sub>DDOA</sub>	A9	V <sub>DD</sub>	C9	V <sub>DD</sub>	E9	PLL_BYPASS	G9	V <sub>DDOVB</sub>	J9
V <sub>DDOA</sub>	A10	REF_OUT[0]	C10	GND	E10	MR	G10	V <sub>DDOVB</sub>	J10
V <sub>DDOA</sub>	B1	V <sub>DDA</sub>	D1	PCLK	F1	XTAL_IN	H1	V <sub>DDOVB</sub>	K1
V <sub>DDOA</sub>	B2	V <sub>DDA</sub>	D2	PCLK	F2	XTAL_OUT	H2	V <sub>DDOVB</sub>	K2
CLKA[0]	B3	V <sub>DD</sub>	D3	V <sub>DD</sub>	F3	V <sub>DD</sub>	H3	CLKB[1]	K3
CLKA[2]	B4	GND	D4	GND	F4	V <sub>DD</sub>	H4	CLKB[3]	K4
CLKA[4]	B5	GND	D5	GND	F5	V <sub>DD</sub>	H5	CLKB[5]	K5
QA0	B6	GND	D6	GND	F6	V <sub>DD</sub>	H6	V <sub>DD</sub>	K6
V <sub>DDOA</sub>	B7	GND	D7	GND	F7	V <sub>DD</sub>	H7	QB1	K7
QA3	B8	V <sub>DD</sub>	D8	V <sub>DD</sub>	F8	V <sub>DD</sub>	H8	QB2	K8
V <sub>DDOA</sub>	B9	RSVD	D9	RSVD	F9	RSVD	H9	V <sub>DDOVB</sub>	K9
V <sub>DDOA</sub>	B10	REF_OUT[1]	D10	RSVD	F10	REF_OUT1E	H10	V <sub>DDOVB</sub>	K10

PACKAGE DIMENSIONS



© FREESCALE SEMICONDUCTOR, INC. ALL RIGHTS RESERVED.	<b>MECHANICAL OUTLINE</b>		PRINT VERSION NOT TO SCALE	
	TITLE: PBGA, LOW PROFILE, 100 I/O, 11 X 11 PKG, 1 MM PITCH (MAP)		DOCUMENT NO: 98ASA10565D	REV: A
		CASE NUMBER: 1462-01	26 MAY 2005	
		STANDARD: JEDEC MO-192 DAC-1		

**VA SUFFIX  
VM SUFFIX (PB-FREE)  
100 MAPBGA PACKAGE  
CASE 1462-01  
ISSUE A**

**PACKAGE DIMENSIONS**

## NOTES:

1. ALL DIMENSIONS IN MILLIMETERS.
2. DIMENSIONING AND TOLERANCING PER ASME Y14.5M-1994.
3. MAXIMUM SOLDER BALL DIAMETER MEASURED PARALLEL TO DATUM A.
4. DATUM A, THE SEATING PLANE, IS DETERMINED BY THE SPHERICAL CROWNS OF THE SOLDER BALLS.
5. PARALLELISM MEASUREMENT SHALL EXCLUDE ANY EFFECT OF MARK ON TOP SURFACE OF PACKAGE.

© FREESCALE SEMICONDUCTOR, INC. ALL RIGHTS RESERVED.	<b>MECHANICAL OUTLINE</b>	PRINT VERSION NOT TO SCALE	
TITLE: PBGA, LOW PROFILE, 100 I/O, 11 X 11 PKG, 1 MM PITCH (MAP)	DOCUMENT NO: 98ASA10565D	REV: A	
	CASE NUMBER: 1462-01	26 MAY 2005	
	STANDARD: JEDEC MO-192 DAC-1		

PAGE 2 OF 2

**VA SUFFIX  
VM SUFFIX (PB-FREE)  
100 MAPBGA PACKAGE  
CASE 1462-01  
ISSUE A**

Innovate with IDT and accelerate your future networks. Contact:

**www.IDT.com**

**For Sales**

800-345-7015  
408-284-8200  
Fax: 408-284-2775

**For Tech Support**

netcom@idt.com  
480-763-2056

---

**Corporate Headquarters**

Integrated Device Technology, Inc.  
6024 Silver Creek Valley Road  
San Jose, CA 95138  
United States  
800 345 7015  
+408 284 8200 (outside U.S.)

**Asia Pacific and Japan**

Integrated Device Technology  
Singapore (1997) Pte. Ltd.  
Reg. No. 199707558G  
435 Orchard Road  
#20-03 Wisma Atria  
Singapore 238877  
+65 6 887 5505

**Europe**

IDT Europe, Limited  
Prime House  
Barnett Wood Lane  
Leatherhead, Surrey  
United Kingdom KT22 7DE  
+44 1372 363 339