

# SPREAD SPECTRUM CLOCK SYNTHESIZER

# ICS650-47

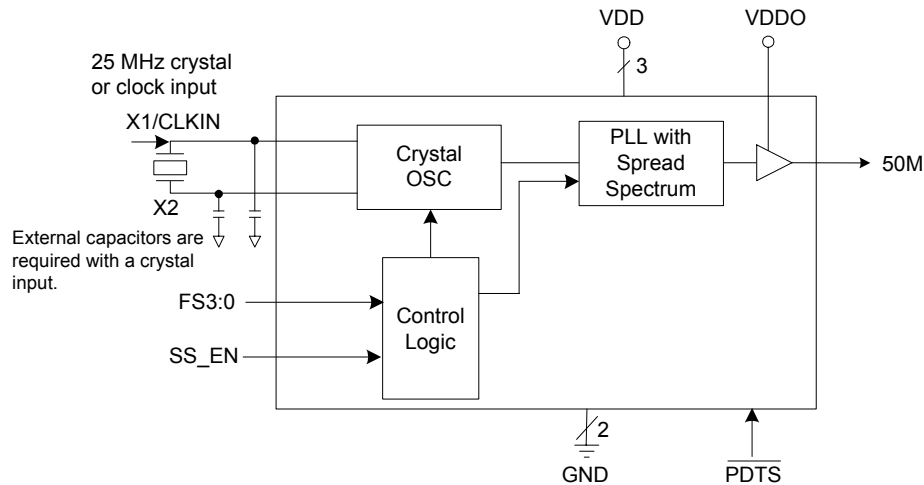
## Description

The ICS650-47 is a spread spectrum clock synthesizer intended for video projector applications. It generates an EMI optimized 50 MHz clock signal through the use of Spread Spectrum techniques from a 25 MHz crystal or clock input. For the 50 MHz output, the modulation rate is 50 kHz.

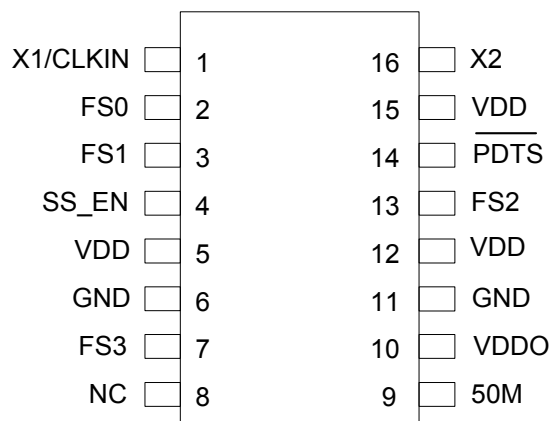
## Features

- Packaged in 16-pin TSSOP (173 mil)
- Supply voltages: VDD = 3.3 V, VDDO = 2.5 V
- Peak-to-peak jitter:  $\pm 125$  ps typ
- Output duty cycle 45/55% (worst case)
- Guarantees +85°C operational condition
- 25 MHz crystal or reference clock input
- Zero (0) ppm frequency error on all output clocks
- Advanced, low-power CMOS process
- Industrial temperature range (0 to +85°C)

## Block Diagram



## Pin Assignment



16-pin (173 mil) TSSOP

## Spread Spectrum and Output Configuration Table

FS3	FS2	FS1	FS0	Spread Type	SS Out
0	0	0	0	Center	$\pm 0.25$
0	0	0	1	Center	$\pm 0.50$
0	0	1	0	Center	$\pm 0.75$
0	0	1	1	Center	$\pm 1.00$
0	1	0	0	Center	$\pm 1.25$
0	1	0	1	Center	$\pm 1.50$
0	1	1	0	Center	$\pm 1.75$
0	1	1	1	Center	$\pm 2.00$
1	0	0	0	Down	-0.5
1	0	0	1	Down	-0.75
1	0	1	0	Down	-1.0
1	0	1	1	Down	-1.25
1	1	0	0	Down	-1.5
1	1	0	1	Down	-1.75
1	1	1	0	Down	-2.0
1	1	1	1	Down	-2.25

## Pin Descriptions

Pin Number	Pin Name	Pin Type	Pin Description
1	X1/CLKIN	Input	Crystal input. Connect this pin to a 25 MHz crystal or external input clock.
2	FS0	Input	Select pin 0. Internal pull-up resistor. See table on page 2.
3	FS1	Input	Select pin 1. Internal pull-up resistor. See table on page 2.
4	SS_EN	Input	Spread spectrum enable pin. Internal pull-up resistor. Enabled = high.
5	VDD	Power	Connect to +3.3 V.
6	GND	Power	Connect to ground.
7	FS3	Input	Select pin 3. Internal pull-up resistor. See table on page 2.
8	NC	—	No connect. No internal connection.
9	50M	Output	Spread Spectrum output. Weak internal pull-down when tri-stated.
10	VDDO	Power	Connect to +2.5 V.
11	GND	Power	Connect to ground.
12	VDD	Power	Connect to +3.3 V.
13	FS2	Input	Select pin 2. Internal pull-up resistor. See table on page 2.
14	PDTS	Input	Powers down entire chip. Tri-states CLK outputs when low. Internal pull-up.
15	VDD	Power	Connect to +3.3 V.
16	X2	Output	Crystal Output. Connect this pin to a 25 MHz crystal. Do not connect if clock input is used.

## External Components

### Decoupling Capacitor

As with any high-performance mixed-signal IC, the ICS650-47 must be isolated from system power supply noise to perform optimally.

A decoupling capacitor of 0.01 $\mu$ F must be connected between each VDD and the PCB ground plane.

### Series Termination Resistor

Clock output traces over one inch should use series termination. To series terminate a 50 $\Omega$  trace (a commonly used trace impedance), place a 33 $\Omega$  resistor in series with the clock line, as close to the clock output pin as possible. The nominal impedance of the clock output is 20 $\Omega$ .

### Crystal Load Capacitors

The device crystal connections should include pads for

small capacitors from X1 to ground and from X2 to ground. These capacitors are used to adjust the stray capacitance of the board to match the nominally required crystal load capacitance. Because load capacitance can only be increased in this trimming process, it is important to keep stray capacitance to a minimum by using very short PCB traces (and no vias) between the crystal and device. Crystal capacitors must be connected from each of the pins X1 and X2 to ground.

The value (in pF) of these crystal caps should equal  $(C_L - 6 \text{ pF})^2$ . In this equation,  $C_L$  = crystal load capacitance in pF. Example: For a crystal with a 16 pF load capacitance, each crystal capacitor would be 20 pF  $[(16-6) \times 2] = 20$ .

### PCB Layout Recommendations

For optimum device performance and lowest output phase noise, the following guidelines should be observed.

1) The 0.01 $\mu$ F decoupling capacitors should be mounted on the component side of the board as close to the VDD pin as possible. No vias should be used between the decoupling capacitors and VDD pins. The PCB trace to VDD pins should be kept as short as possible, as should the PCB trace to the ground via.

2) The external crystal should be mounted just next to the device with short traces. The X1 and X2 traces should not be routed next to each other with minimum spaces, instead they should be separated and away from other traces.

3) To minimize EMI, the 33 $\Omega$  series termination resistor (if needed) should be placed close to the clock output.

4) An optimum layout is one with all components on the same side of the board, minimizing vias through other signal layers. Other signal traces should be routed away from the ICS650-47. This includes signal traces just underneath the device, or on layers adjacent to the ground plane layer used by the device.

## Absolute Maximum Ratings

Stresses above the ratings listed below can cause permanent damage to the ICS650-47. These ratings, which are standard values for ICS commercially rated parts, are stress ratings only. Functional operation of the device at these or any other conditions above those indicated in the operational sections of the specifications is not implied. Exposure to absolute maximum rating conditions for extended periods can affect product reliability. Electrical parameters are guaranteed only over the recommended operating temperature range.

Item	Rating
Supply Voltage, VDD	5 V
All Inputs and Outputs	-0.5 V to VDD+0.5 V
Ambient Operating Temperature	0 to +85°C
Storage Temperature	-65 to +150°C
Junction Temperature	125°C
Soldering Temperature (max. of 10 seconds)	260°C

## Recommended Operation Conditions

Parameter	Min.	Typ.	Max.	Units
Ambient Operating Temperature	0		+85	°C
Power Supply Voltage (measured in respect to GND)	+3.135	+3.3	+3.465	V
Power Supply Voltage (VDDO)	+2.375	+2.5	+2.625	V
Power Supply Ramp Time, Figure 4			4	ms

## DC Electrical Characteristics

Unless stated otherwise,  $V_{DD} = 3.3\text{ V} \pm 5\%$ ,  $V_{DDO} = 2.5\text{ V} \pm 5\%$ , Ambient Temperature 0 to  $+85^{\circ}\text{C}$

Parameter	Symbol	Conditions	Min.	Typ.	Max.	Units
Operating Supply Current	IDD	no load		27		mA
		$\overline{\text{PDTS}} = 0$ , no load		40		$\mu\text{A}$
	IDDO	no load		4		mA
		$\overline{\text{PDTS}} = 0$ , no load		1		$\mu\text{A}$
Input High Voltage	$V_{IH}$	FS3:0, $\overline{\text{PDTS}}$ , SS_EN	2			V
Input Low Voltage	$V_{IL}$	FS3:0, $\overline{\text{PDTS}}$ , SS_EN			0.8	V
Input High Voltage	$V_{IH}$	X1/CLKIN	$0.7 \times V_{DD}$			V
Input Low Voltage	$V_{IL}$	X1/CLKIN			$0.3 \times V_{DD}$	V
Output High Voltage	$V_{OH}$	$I_{OH} = -4\text{ mA}$	1.8			V
Output Low Voltage	$V_{OL}$	$I_{OL} = 4\text{ mA}$			0.6	V
Short Circuit Current	$I_{OS}$			$\pm 50$		mA
Nominal Output Impedance	$Z_O$			20		$\Omega$
Internal Pull-up Resistor	$R_{PU}$	FS3:0, $\overline{\text{PDTS}}$ , SS_EN		360		k $\Omega$
Input Leakage Current	$I_I$	FS3:0, $\overline{\text{PDTS}}$ , SS_EN, $V_{IN}=V_{DD}$		1		$\mu\text{A}$
Internal Pull-down Resistor	$R_{PD}$	CLK output		900		k $\Omega$
Input Capacitance	$C_{IN}$	Inputs		4		pF

## AC Electrical Characteristics

Unless stated otherwise,  $V_{DD} = 3.3\text{ V} \pm 5\%$ ,  $V_{DDO} = 2.5\text{ V} \pm 5\%$ , Ambient Temperature 0 to  $+85^\circ\text{ C}$

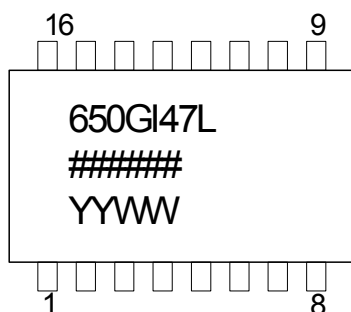
Parameter	Symbol	Conditions	Min.	Typ.	Max.	Units
Input Frequency	$F_{IN}$	Crystal or clock input		25		MHz
Spread Spectrum Modulation Frequency				50		kHz
Duty Cycle	$t_2/t_1$	At $V_{DD}/2$ , Note 1 and Figures 1 and 2	45	50	55	%
Output Fall Time	$t_3$	80% to 20%, Note 1 and Figures 1 & 3		1.5		ns
Output Rise Time	$t_4$	20% to 80%, Note 1 and Figures 1 & 3		1.5		ns
One Sigma Clock Period Jitter		Note 1		30		ps
Absolute Jitter, Peak-to-Peak	$t_{ja}$	Deviation from mean, $SS\_EN=0$ , Note 1 & Figures 1 and 6		$\pm 125$		ps
Output Enable Time	$t_{EN}$	$\overline{PDT\overline{S}}$ high to PLL locked to within 1% of final value, Figure 5		2.5	5	ms
Output Disable Time	$t_{DIS}$	$\overline{PDT\overline{S}}$ low to tri-state, Figure 5		20		ns
Power-up Time	$t_P$	PLL lock-time from power-up to 1% of final value, Figure 4		6	10	ms

Note 1: Measured with 15 pF load.

## Thermal Characteristics

Parameter	Symbol	Conditions	Min.	Typ.	Max.	Units
Thermal Resistance Junction to Ambient	$\theta_{JA}$	Still air		78		°C/W
	$\theta_{JA}$	1 m/s air flow		70		°C/W
	$\theta_{JA}$	3 m/s air flow		68		°C/W
Thermal Resistance Junction to Case	$\theta_{JC}$			37		°C/W

## Marking Diagram



### Notes:

- ##### is the lot number.
- YYWW is the last two digits of the year and the week number that the part was assembled.
- “L” designates Pb (lead) free package
- Bottom marking: country of origin if not USA.

### Timing Diagrams

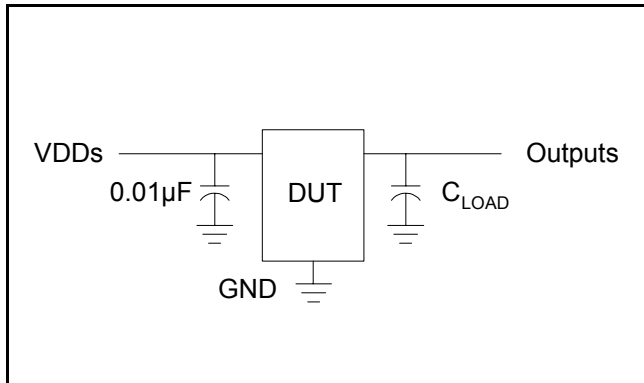


Figure 1: Test and Measurement Setup

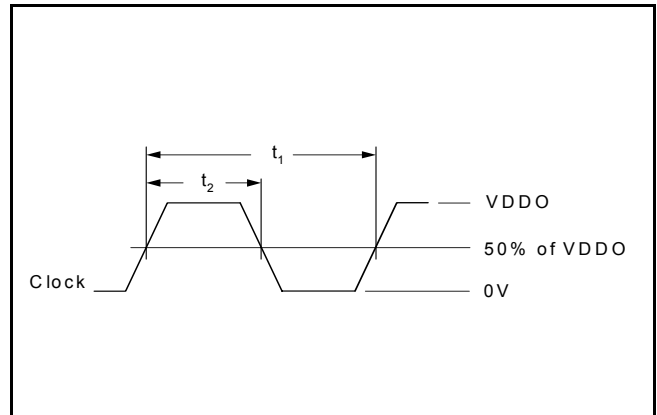


Figure 2: Duty Cycle Definitions

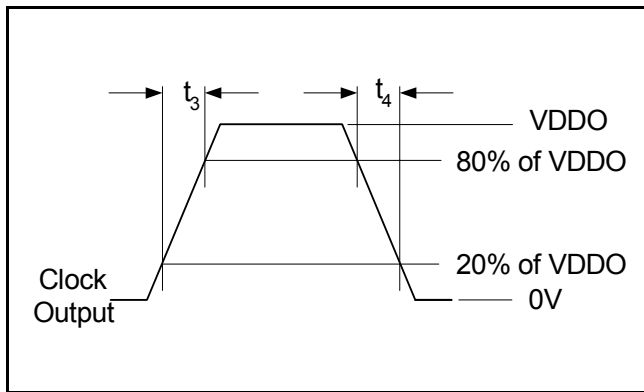


Figure 3: Rise and Fall Time Definitions

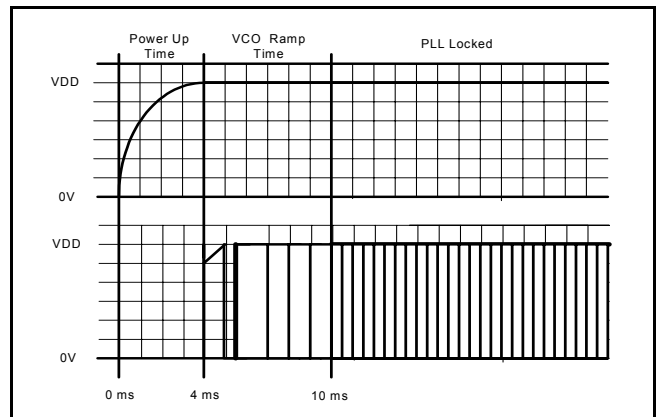


Figure 4: Power Up and PLL Lock Timing

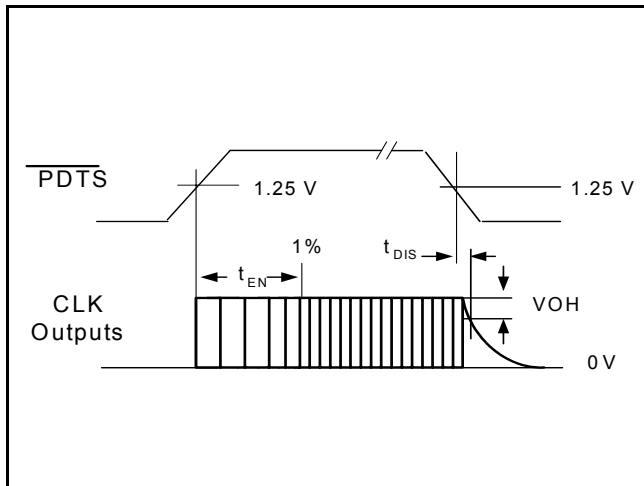


Figure 5: PDTS to Stable Clock Output Timing

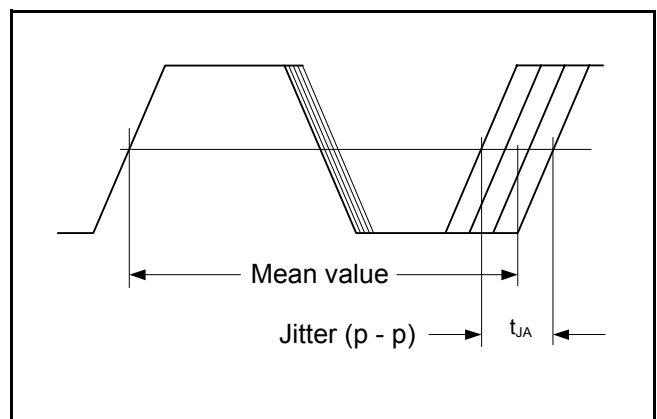
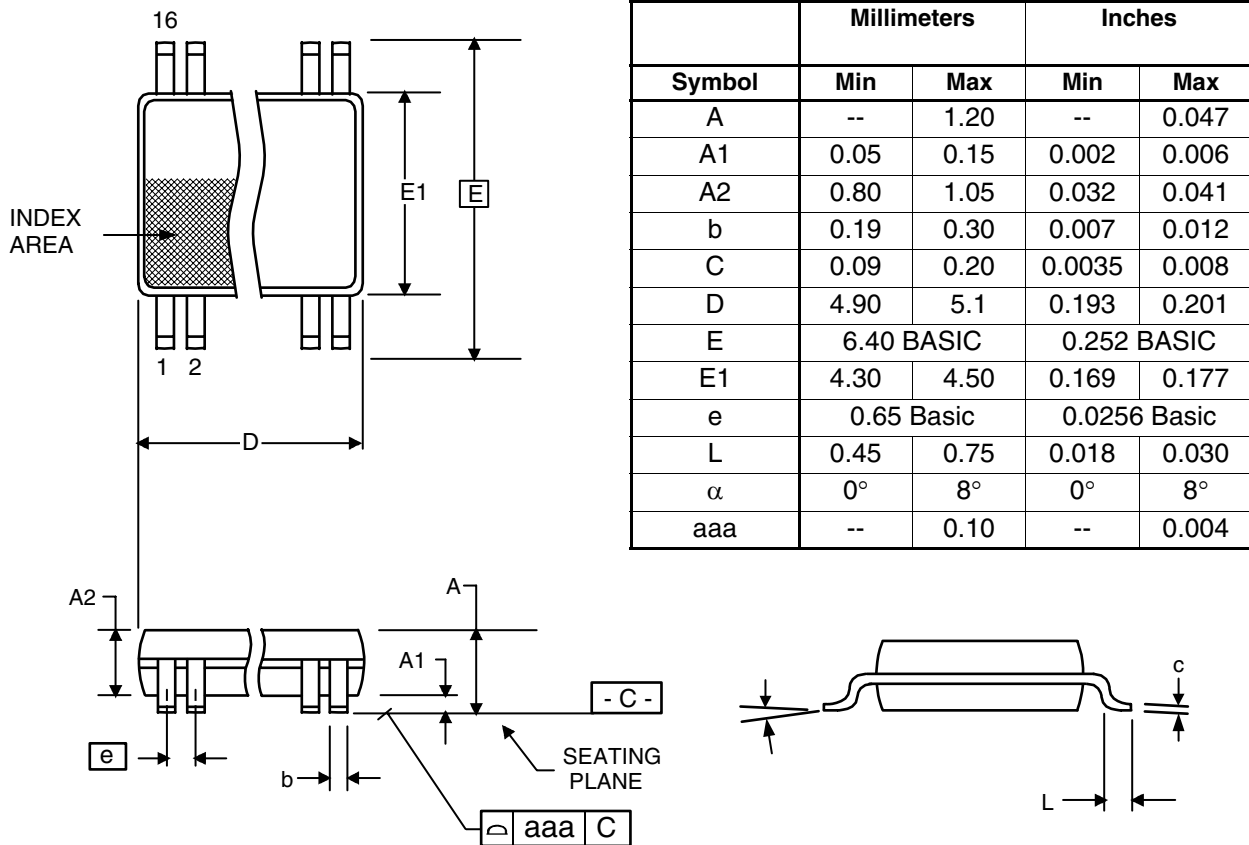


Figure 6: Short Term Jitter Definition

## Package Outline and Package Dimensions (16-pin TSSOP, 173 Mil. Narrow Body)

Package dimensions are kept current with JEDEC Publication No. 95



## Ordering Information

Part / Order Number	Marking	Shipping Packaging	Package	Temperature
ICS650GI-47LF	650GI47L	Tubes	16-pin TSSOP	0 to +85° C
ICS650GI-47LFT	650GI47L	Tape and Reel	16-pin TSSOP	0 to +85° C

Parts that are ordered with a "LF" suffix to the part number are the Pb-Free configuration and are RoHS compliant.

While the information presented herein has been checked for both accuracy and reliability, Integrated Circuit Systems (ICS) assumes no responsibility for either its use or for the infringement of any patents or other rights of third parties, which would result from its use. No other circuits, patents, or licenses are implied. This product is intended for use in normal commercial applications. Any other applications such as those requiring extended temperature range, high reliability, or other extraordinary environmental requirements are not recommended without additional processing by ICS. ICS reserves the right to change any circuitry or specifications without notice. ICS does not authorize or warrant any ICS product for use in life support devices or critical medical instruments.

## Revision History

Rev.	Originator	Date	Description of Change
A	P.Griffith	8/11/05	New device.

Innovate with IDT and accelerate your future networks. Contact:

**www.IDT.com**

**For Sales**

800-345-7015  
408-284-8200  
Fax: 408-284-2775

**For Tech Support**

<product line email>  
<product line phone>

---

**Corporate Headquarters**

Integrated Device Technology, Inc.  
6024 Silver Creek Valley Road  
San Jose, CA 95138  
United States  
800 345 7015  
+408 284 8200 (outside U.S.)

**Asia Pacific and Japan**

Integrated Device Technology  
Singapore (1997) Pte. Ltd.  
Reg. No. 199707558G  
435 Orchard Road  
#20-03 Wisma Atria  
Singapore 238877  
+65 6 887 5505

**Europe**

IDT Europe, Limited  
Prime House  
Barnett Wood Lane  
Leatherhead, Surrey  
United Kingdom KT22 7DE  
+44 1372 363 339



www.IDT.com