



## Pin Assignment

R5	1	28	R4
R6	2	27	R3
DIV2	3	26	R2
S0	4	25	R1
S1	5	24	R0
VDD	6	23	VDD
ICLK	7	22	CLK1
FBIN	8	21	CLK2
GND	9	20	GND
OECLK2	10	19	$\overline{\text{PDT}}\text{S}$
2XDRIVE	11	18	F6
F0	12	17	F5
F1	13	16	F4
F2	14	15	F3

28 pin 150 mil body SSOP

## Frequency Range Table

S1	S0	CLK1 Output Frequency (MHz)	
		Commercial (0 to 70°C)	Industrial (-40 to 85°C)
0	0	37 - 75	35 - 70
0	1	18 - 37	16 - 35
1	0	4 - 10	4 - 8
1	1	75 - 160	70 - 140

To cover the range from 10 to 18 MHz (0 to 70°C) and 8 to 16 MHz (-40 to 85°C), select address 01 to generate 2x your desired output frequency, then configure CLK2 to generate CLK1/2.

### CLK2 Operation Table

### CLK Drive Select Table

OECLK2	DIV2	CLK2	2XDRIVE	Output Drive
0	X	Z	0	12 mA
1	0	SYNC	1	25 mA
1	1	CLK1/2		

## Pin Descriptions

Pin Number	Pin Name	Pin Type	Pin Description
1,2, 24-28	R5, R6, R0-R4	Input	Reference divider word input pins determined by user. Forms a binary number from 0 to 127. Internal pull-up resistor.
3	DIV2	Input	Selects CLK2 function to output a SYNC signal or a divide by 2 of CLK1 based on the table above. Internal pull-up resistor.
4, 5	S0, S1	Input	Select pins for output divider determined by user. See table above. Internal pull-up resistor.
6, 23	VDD	Power	Connect to VDD.
7	ICLK	Input	Reference clock input.
8	FBIN	Input	Feedback clock input.
9, 20	GND	Power	Connect to ground.
10	OECLK2	Input	CLK2 Output Enable. CLK2 tri-stated when low. Internal pull-up resistor.
11	2XDRIVE	Input	Clock output drive strength doubled when high. Internal pull-up resistor.
12-18	F0-F6	Input	Feedback divider word input pins determined by user. Forms a binary number from 0 to 127. Internal pull-up resistor.
19	$\overline{\text{PDT}}\text{S}$	Input	Power Down. Active low. Turns off entire chip when low, both clock outputs are tri-stated. Internal pull-up resistor.
21	CLK2	Output	Output clock 2. Can be SYNC output or a low skew divide by 2 of CLK1.
22	CLK1	Output	Output clock 1.

## External Components

### Decoupling Capacitors

As with any high performance mixed-signal IC, the ICS527-01 must be isolated from system power supply noise to perform optimally.

Decoupling capacitors of  $0.01\mu\text{F}$  must be connected between each VDD and the PCB ground plane. The capacitor must be connected close to the device to minimize lead inductance.

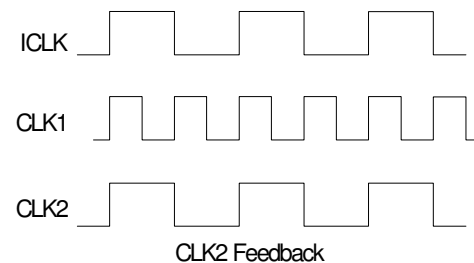
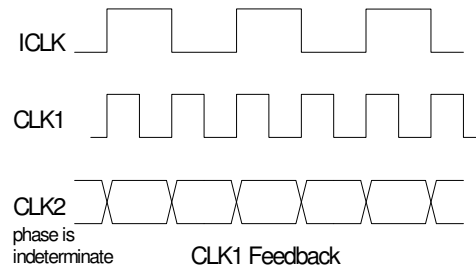
### Series Termination Resistor

Clock output traces over one inch should use series termination. To series terminate a  $50\Omega$  trace (a commonly used trace impedance), place a  $33\Omega$  resistor in series with the clock line, as close to the clock output pin as possible. The nominal impedance of the clock output is  $20\Omega$ .

## Using the Clock Slicer

First use DIV2 to select the function of the CLK2 output. If DIV2 is high, a divide-by-2, low skew version of CLK1 is present on CLK2. If DIV2 is low, a SYNC pulse is generated on CLK2. The SYNC pulse goes high synchronously with the rising edges of ICLK and CLK1 that are de-skewed. The SYNC function operates at CLK1 frequencies up to 66 MHz. If neither CLK1/2 or a SYNC pulse are required, then CLK2 should be disabled by connecting OECLK2 to ground. This will also give the lowest jitter on CLK1.

Next, the feedback scheme should be chosen. If CLK2 is being used as a SYNC pulse, or is tri-stated, then CLK1 must be connected to FBIN. If CLK2 is selected to be CLK1/2 (DIV2=1, OECLK2=1) then either CLK1 or CLK2 must be connected to FBIN. The choice between CLK1 or CLK2 is illustrated by the following examples where the device has been configured to generate CLK1 that is twice the frequency on ICLK.



Using CLK1 as feedback will always result in synchronized rising edges between ICLK and CLK1 if CLK1 is used as feedback. CLK2 could be a falling edge compared to ICLK. Therefore, wherever possible, it is recommended to use CLK2 for feedback, which will synchronize the rising edges of all three clocks.

More complicated feedback schemes can be used, such as incorporating multiple output buffers in the feedback path. An example is given later in the datasheet. The fundamental property of the ICS527-01 is that it aligns rising edges on ICLK and FBIN at a ratio determined by the reference and feedback dividers.

The drive strength is selected by the 2XDRIVE pin. If high drive strength is required, we recommend tying this pin low.

Lastly, the divider settings should be selected. This is described in the following section.

### Determining ICS527-01 Divider Settings

The user has full control in setting the desired output clock over the range shown in the table on page 2. The user should connect the divider select input pins directly to ground (or VDD, although this is not required

because of internal pull-ups) during Printed Circuit Board layout, so the ICS527-01 automatically produces the correct clock when all components are soldered. It is also possible to connect the inputs to parallel I/O ports in order to switch frequencies.

The output of the ICS527-01 can be determined by the following simple equation:

$$\text{FB Frequency} = \text{Input Frequency} \times \frac{\text{FDW} + 2}{\text{RDW} + 2}$$

Where:

Reference Divider Word (RDW) = 0 to 127  
 Feedback Divider Word (FDW) = 0 to 127  
 FB Frequency is the same as either CLK1 or CLK2 depending on feedback connection

Also, the following operating ranges should be observed:

$$300\text{kHz} < \frac{\text{Input Frequency}}{\text{RDW} + 2}$$

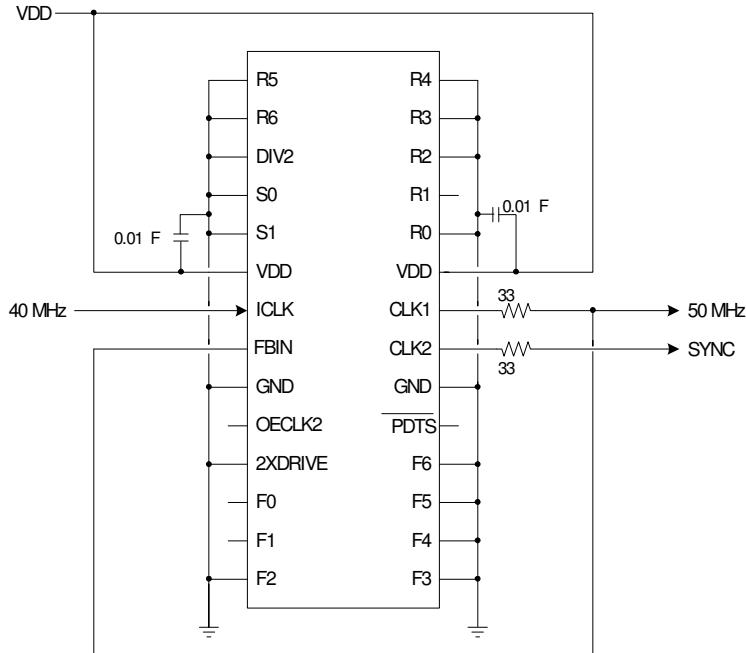
S1 and S0 should be set for the frequency of CLK1, according to the Frequency Range Table on page 2. The device can be operated below the lower limits stated in table 2, however, jitter and skew may be higher. Therefore, if your expected output frequency covers more than one frequency range, use the setting for the highest frequency expected.

The dividers are expressed as integers. For example, if a 50 MHz output on CLK1 is desired from a 40 MHz input, the reference divider word (RDW) should be 2 and the feedback divider word (FDW) should be 3 which gives the required 5/4 multiplication. Then R6:R0 is 0000010, F6:F0 is 0000011 and S1:S0 is 00. Also, this example assumes CLK1 is connected to FBIN. S1:S0 is set by referring to the Frequency Range Table. The setting for 50 MHz is 00.

For assistance with configuring the device, please send a description of your requirements using the "Technical Support" link at [www.idt.com](http://www.idt.com).

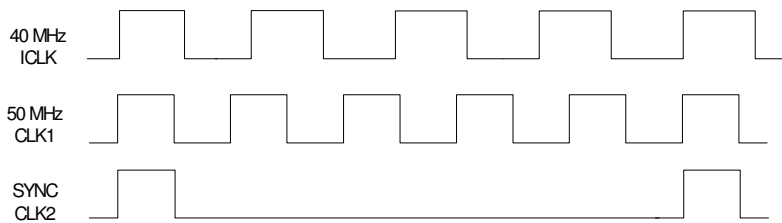
## Typical Example

The following connection diagram shows the implementation of the example from the previous section. This will generate a 50 MHz clock synchronously with a 40 MHz input. A SYNC pulse is desired and the 1x output drive is selected.



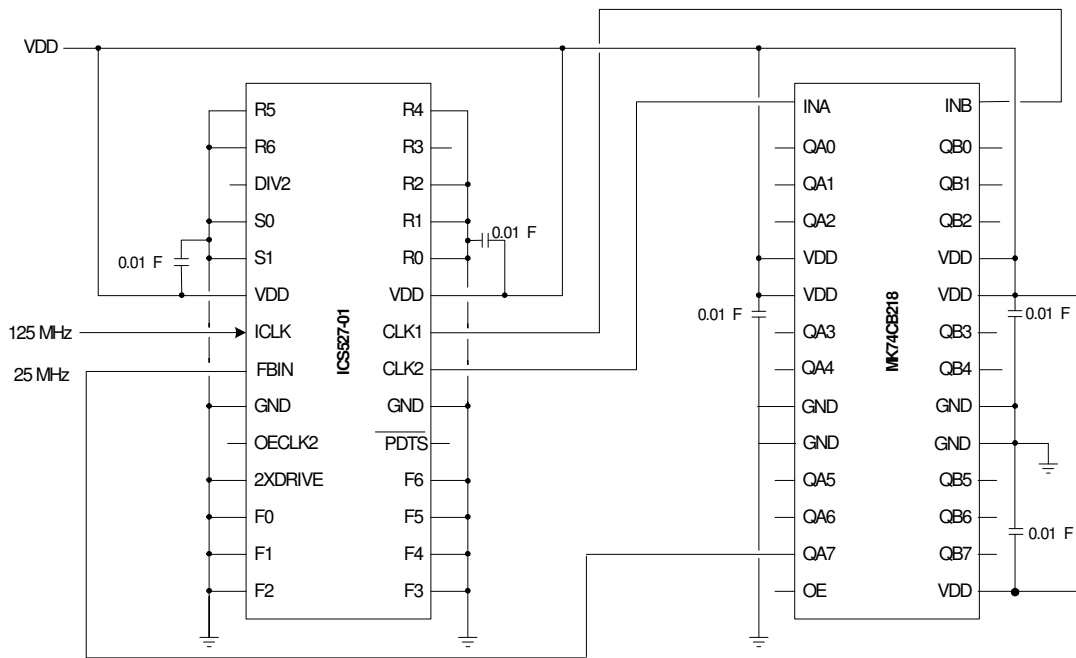
Note: The series termination resistor is located before the feedback trace.

This will give the following waveforms:



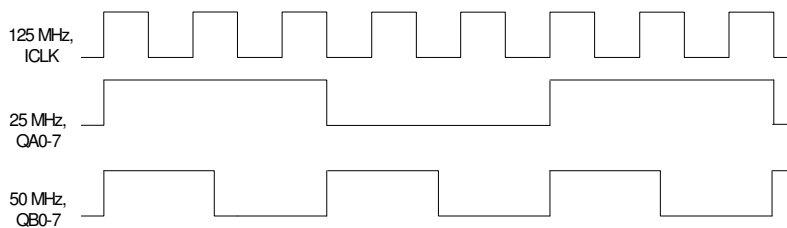
## Multiple Output Example

In this example, an input clock of 125 MHz is used. Eight copies of 50 MHz are required as are eight copies of 25 MHz, de-skewed and aligned to the 125 MHz input clock. The following solution uses the MK74CB218 which has dual 1 to 8 buffers with low pin-to-pin skew.



The layout design above produces the waveforms shown below.

Note: Series terminating resistors are not shown.



Using the equation for selecting dividers gives:

$$25 \text{ MHz} = 125 \text{ MHz} \times \frac{(\text{FDW} + 2)}{(\text{RDW} + 2)}$$

If  $\text{FDW} = 0$ , then  $\text{RDW} = 8$ . This gives the required divide-by-5 function. Setting pin  $\text{DIV2} = 1$  gives both a 25 MHz and a 50 MHz output from the ICS527-01. The  $\text{FBIN}$  pin is connected to the  $\text{QA7}$  output of the MK74CB218. This aligns all the outputs of the MK74CB218 with the 25 MHz input since the ICS527-01 aligns rising edges on the  $\text{ICLK}$  and  $\text{FBIN}$  pins. The propagation delay of the buffer is compensated by the PLL.

In this example, series termination resistors have been omitted for clarity but should be used on all clock outputs.

## PCB Layout Recommendations

For optimum device performance and lowest output phase noise, the following guidelines should be observed.

- 1) Each  $0.01\mu\text{F}$  decoupling capacitor should be mounted on the component side of the board as close to the VDD pin as possible. No via's should be used

between decoupling capacitor and VDD pin. The PCB trace to VDD pin should be kept as short as possible, as should the PCB trace to the ground via.

2) To minimize EMI the 33Ω series termination resistor, if needed, should be placed close to the clock outputs.

3) An optimum layout is one with all components on the same side of the board, minimizing vias through other signal layers. Other signal traces should be routed away from the ICS527-01. This includes signal traces just underneath the device, or on layers adjacent to the ground plane layer used by the device.

## Absolute Maximum Ratings

Stresses above the ratings listed below can cause permanent damage to the ICS527-01. These ratings, which are standard values for IDT commercially rated parts, are stress ratings only. Functional operation of the device at these or any other conditions above those indicated in the operational sections of the specifications is not implied. Exposure to absolute maximum rating conditions for extended periods can affect product reliability. Electrical parameters are guaranteed only over the recommended operating temperature range.

Item	Rating
Supply Voltage, VDD	7 V
All Inputs and Outputs	-0.5 V to VDD+0.5 V
Ambient Operating Temperature (Commercial)	0 to +70° C
Ambient Operating Temperature (Industrial)	-40 to +85° C
Storage Temperature	-65 to +150° C
Junction Temperature	125° C
Soldering Temperature	260° C

## Recommended Operation Conditions

Parameter	Min.	Typ.	Max.	Units
Ambient Operating Temperature, ICS527R-01	0	–	+70	° C
Ambient Operating Temperature, ICS527R-01I	-40	–	+85	° C
Power Supply Voltage (measured in respect to GND)	3	3.3	3.6	V

## DC Electrical Characteristics

Unless stated otherwise, VDD = 3.3 V ±10%, Ambient Temperature 0 to +70° C

Parameter	Symbol	Conditions	Min.	Typ.	Max.	Units
Operating Voltage	VDD		3	3.3	3.6	V
Supply Current	IDD	15 MHz in, 60MHz out, no load		8		mA
Supply Current, Power Down	IDDPD	$\overline{\text{PDT}}\text{S}=0$		20		μA
Input High Voltage	V <sub>IH</sub>		2			V

Parameter	Symbol	Conditions	Min.	Typ.	Max.	Units
Input Low Voltage	$V_{IL}$				0.8	V
Input High Voltage, ICLK and FBIN	$V_{IH}$	Pins 7 and 8	$V_{DD}/2+1$			V
Input Low Voltage, ICLK and FBIN	$V_{IL}$	Pins 7 and 8			$V_{DD}/2-1$	V
Output High Voltage	$V_{OH}$	2XDRIVE = 0, $I_{OH} = -12$ mA	2.4			V
Output Low Voltage	$V_{OL}$	2XDRIVE = 0, $I_{OL} = 12$ mA			0.4	V
Output High Voltage	$V_{OH}$	2XDRIVE = 1, $I_{OH} = -25$ mA	2.4			V
Output Low Voltage	$V_{OL}$	2XDRIVE = 1, $I_{OL} = 25$ mA			0.4	V
Short Circuit Current	$I_{OS}$	2XDRIVE = 0, CLK outputs		$\pm 70$		mA
Short Circuit Current	$I_{OS}$	2XDRIVE = 1, CLK outputs		$\pm 140$		mA
On-chip Pull-up Resistor	$R_{PU}$			270		k $\Omega$

## AC Electrical Characteristics

Unless stated otherwise,  $V_{DD} = 3.3\text{ V} \pm 10\%$ , Ambient Temperature  $-40$  to  $+85^\circ\text{C}$

Parameter	Symbol	Conditions	Min.	Typ.	Max.	Units
Input Frequency	$F_{IN}$		0.6		200	MHz
Output Frequency, CLK1	$F_{OUT}$	0 to $+70^\circ\text{C}$	4		160	MHz
		$-40$ to $+85^\circ\text{C}$	4		140	MHz
CLK1 Frequency for Correct SYNC Operation					66	MHz
Output Rise Time	$t_{OR}$	0.8 to 2.0 V		1		ns
Output Fall Time	$t_{OF}$	2.0 to 0.8 V		1		ns
Output Clock Duty Cycle	$t_{OD}$	Measured at $V_{DD}/2$ , $C_L=15\text{ pF}$	45	50	55	%
Power Down Time, $\overline{PDT\overline{S}}$ low to clocks tri-stated					50	ns
Power Up Time, $\overline{PDT\overline{S}}$ high to clocks stable					10	ms
Absolute Clock Period Jitter	$t_{ja}$	Deviation from mean		$\pm 90$		ps
One sigma Clock Period Jitter	$t_{js}$			40		ps
Skew of Output Clocks	$t_{IO}$	CLK1 to CLK2, Note 1	-250		250	ps
Input Capacitance	$C_{IN}$			4		pF
Input to Output Skew	$t_{IO}$	ICLK to FBIN, Note 1	-250		250	ps
Device to Device Skew	$t_{pi}$	Common ICLK, at FBIN		0	500	ps

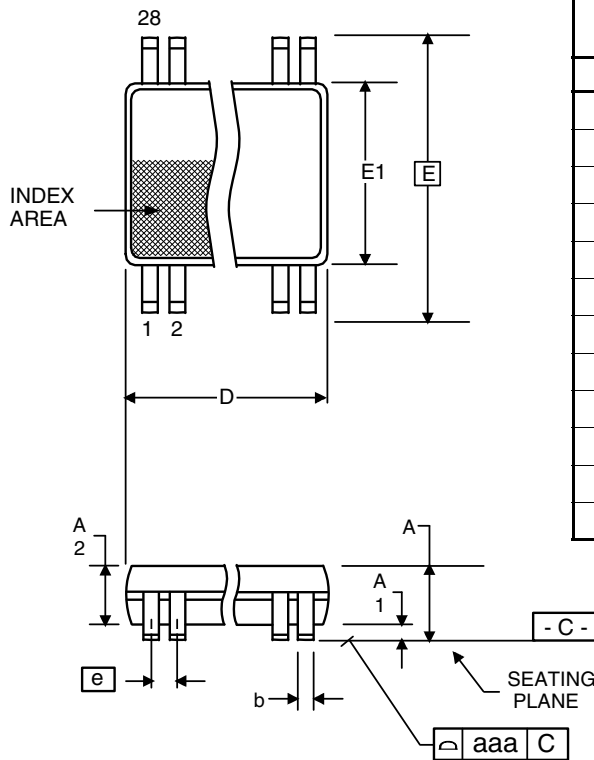
Note 1: Assumes clocks with same rise time, measured from rising edges at  $V_{DD}/2$ .

## External Components

The ICS527-01 requires two  $0.01\text{ }\mu\text{F}$  decoupling capacitors to be connected between  $V_{DD}$  and  $GND$ , one on each side of the chip. They must be connected close to the device to minimize lead inductance. No external power supply filtering is required for this device. A  $33\Omega$  series terminating resistor should be used on the CLK1 and CLK2 output pins.

## Package Outline and Package Dimensions (28-pin SSOP, .150 mil Body, 0.025 mm Pitch)

Package dimensions are kept current with JEDEC Publication No. 95, MO-153



Symbol	Millimeters		Inches	
	Min	Max	Min	Max
A	1.35	1.75	.053	.069
A1	0.10	0.25	.0040	.010
A2	--	1.50	--	.059
b	0.20	0.30	.008	.012
C	0.18	0.25	.007	.010
D	9.80	10.00	.386	.394
E	5.80	6.20	.228	.244
E1	3.80	4.00	.150	.157
e	0.635 Basic		0.025 Basic	
L	0.40	1.27	.016	.050
$\alpha$	0°	8°	0°	8°
aaa	--	0.10	--	0.004

## Ordering Information

Part / Order Number	Marking	Shipping Packaging	Package	Temperature
527R-01LF	ICS527R-01LF	Tubes	28-pin SSOP	0 to +70° C
527R-01LFT	ICS527R-01LF	Tape and Reel	28-pin SSOP	0 to +70° C
527R-01ILF	ICS527R-01ILF	Tubes	28-pin SSOP	-40 to +85° C
527R-01ILFT	ICS527R-01ILF	Tape and Reel	28-pin SSOP	-40 to +85° C

While the information presented herein has been checked for both accuracy and reliability, Integrated Device Technology (IDT) assumes no responsibility for either its use or for the infringement of any patents or other rights of third parties, which would result from its use. No other circuits, patents, or licenses are implied. This product is intended for use in normal commercial applications. Any other applications such as those requiring extended temperature range, high reliability, or other extraordinary environmental requirements are not recommended without additional processing by IDT. IDT reserves the right to change any circuitry or specifications without notice. IDT does not authorize or warrant any IDT product for use in life support devices or critical medical instruments.

**Innovate with IDT and accelerate your future networks. Contact:**

**www.IDT.com**

**For Sales**

800-345-7015  
408-284-8200  
Fax: 408-284-2775

**For Tech Support**

[www.idt.com/go/clockhelp](http://www.idt.com/go/clockhelp)

---

**Corporate Headquarters**

Integrated Device Technology, Inc.  
[www.idt.com](http://www.idt.com)



[www.IDT.com](http://www.IDT.com)