

THE INFORMATION CONTAINED HEREIN IS CONSIDERED "PROPRIETARY" TO BEL FUSE INC. AND SHALL NOT BE COPIED, REPRODUCED OR DISCLOSED WITHOUT THE WRITTEN APPROVAL OF BEL FUSE INC.

RoHS
2002/95/EC



ELECTRICAL CHARACTERISTICS @ 25°C

URNS RATIO

TX 1CT : 1

RX 1CT : 1

CL @ 100kHz/100mVRMS

8mA DC BIAS 350μH MIN.

INS. LOSS

1MHz TO 100MHz -1.0 dB MAX

RET. LOSS (MIN)

1MHz-30MHz -18 dB

30MHz-60MHz -12 dB

60MHz-80MHz $-18+20\text{LOG}(F/30\text{MHz})$ dB

CROSS TALK (TX - RX)

500kHz-1MHz -70 dB MIN

10 MHz -50 dB MIN

30 MHz -45 dB MIN

50 MHz -40 dB MIN

100 MHz -35 dB MIN

CM TO CM REJ

100kHz-1MHz -70 dB MIN

10 MHz -47 dB MIN

30 MHz -42 dB MIN

60 MHz -37 dB MIN

100 MHz -30 dB MIN

CM TO DM REJ

100kHz-1MHz -70 dB MIN

10 MHz -60 dB MIN

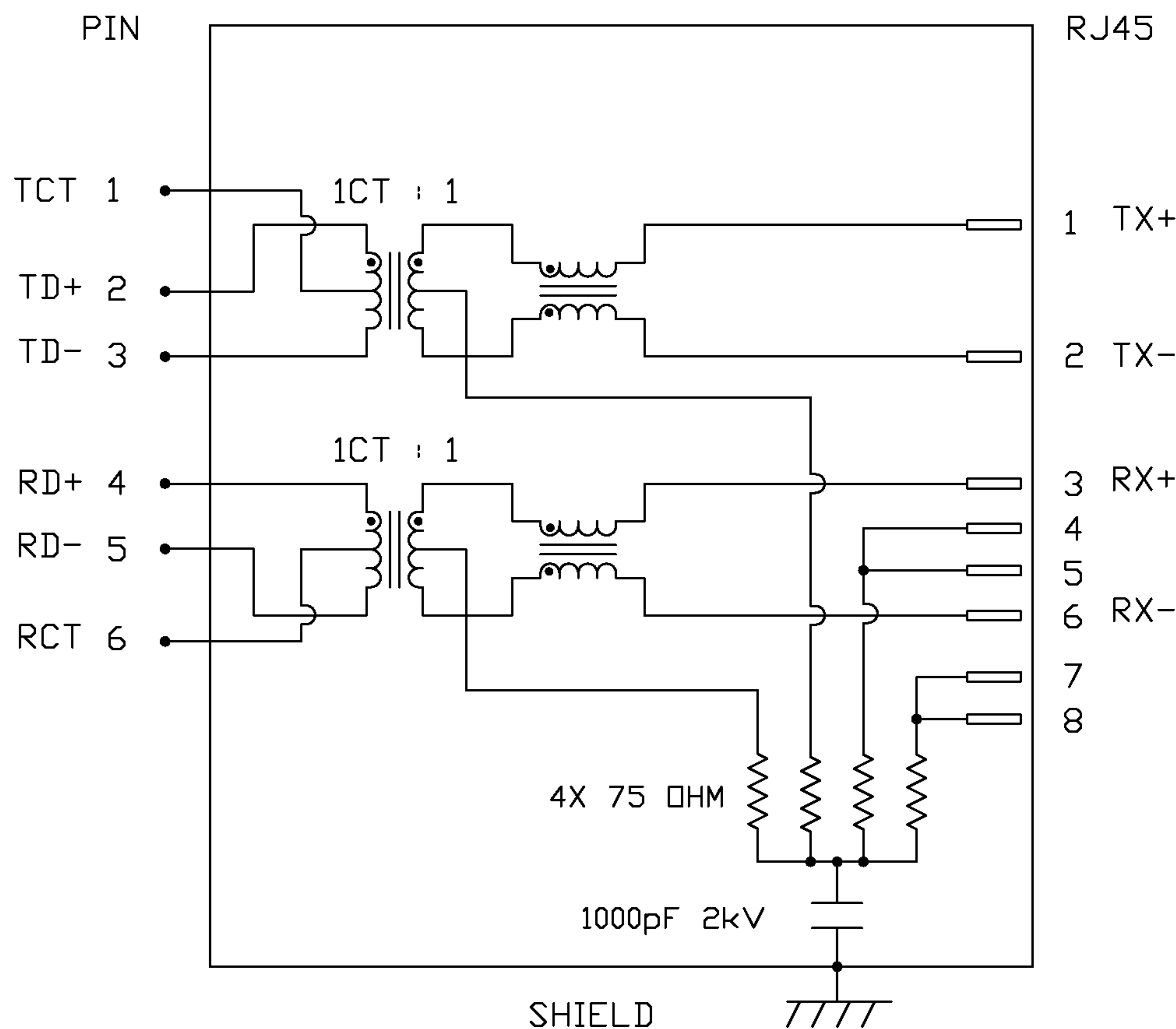
30 MHz -50 dB MIN

60 MHz -45 dB MIN

100 MHz -40 dB MIN

HIPOT (Isolation Voltage): 1500 Vrms

SCHEMATIC



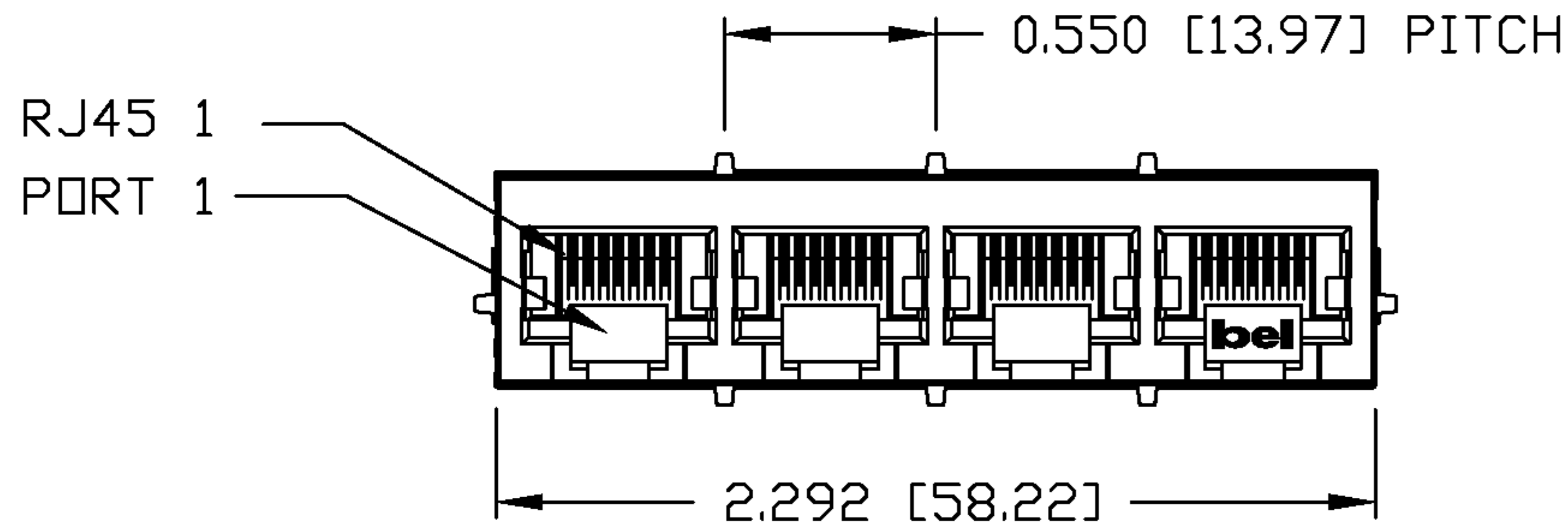
ORIGINATED BY	DATE	TITLE	PART NO. / DRAWING NO.	STANDARD DIM. TOL. IN INCH	[] METRIC DIM. AS REFERENCE
CHUNG	03-04-06	1X4 vertical mount MagJack® V811-1X4T-06-F	V8111X4T06-F	.X	UNIT : INCH [mm] REV. : A
DRAWN BY	DATE		FILE NAME	.XX	SCALE : N/A SIZE : A4
DE	03-04-06		V8111X4T06-FA.DWG	.XXX	PAGE : 2



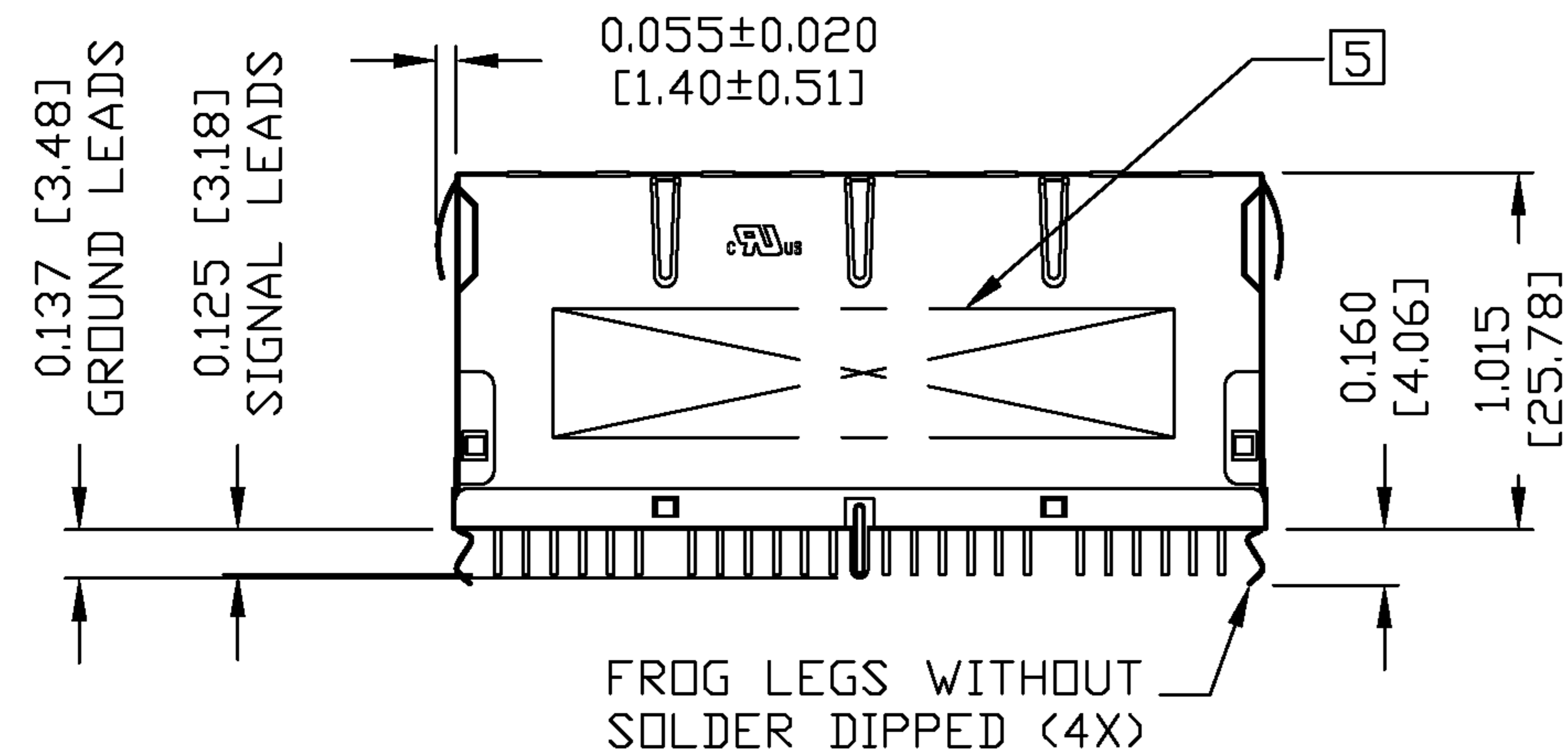
THE INFORMATION CONTAINED HEREIN IS CONSIDERED "PROPRIETARY" TO BEL FUSE INC. AND SHALL NOT BE COPIED, REPRODUCED OR DISCLOSED WITHOUT THE WRITTEN APPROVAL OF BEL FUSE INC.

MECHANICAL SPECIFICATION

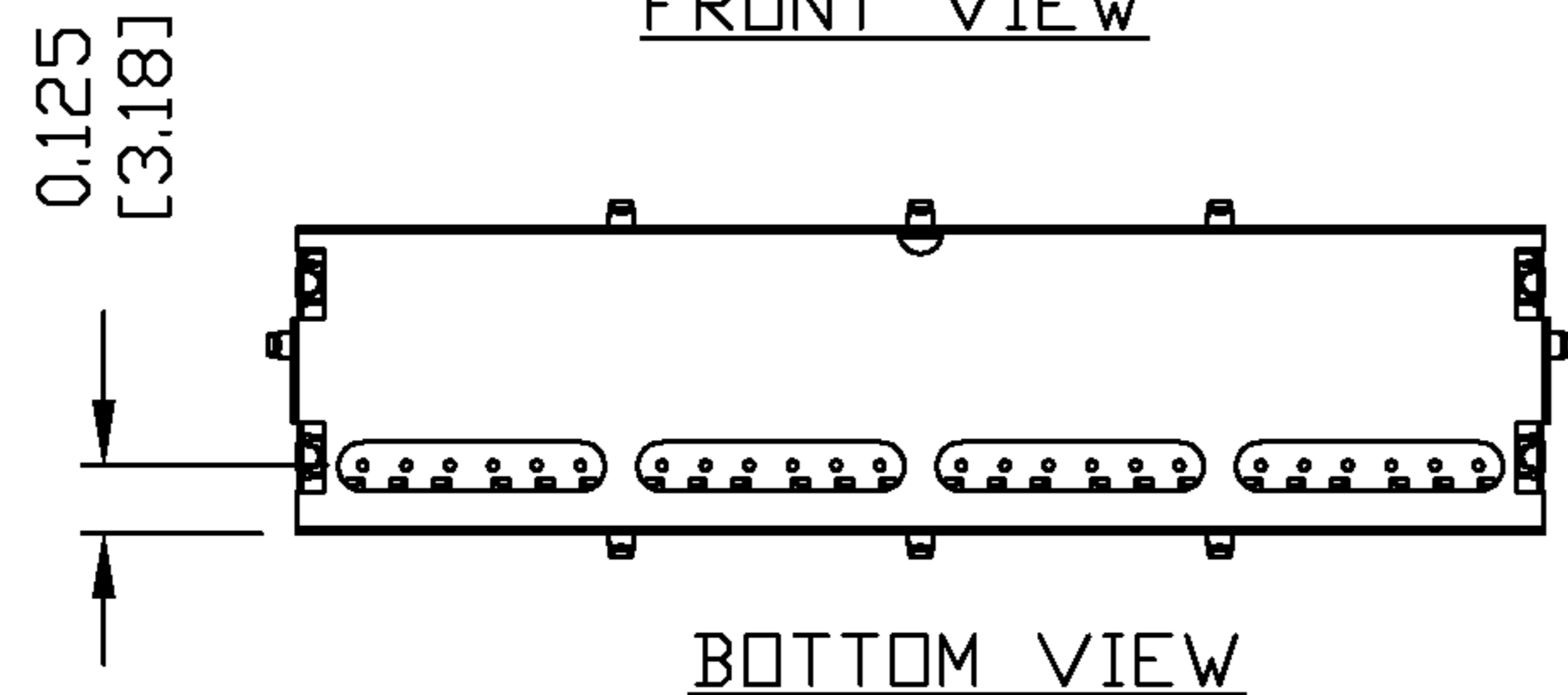
RoHS
2002/95/EC



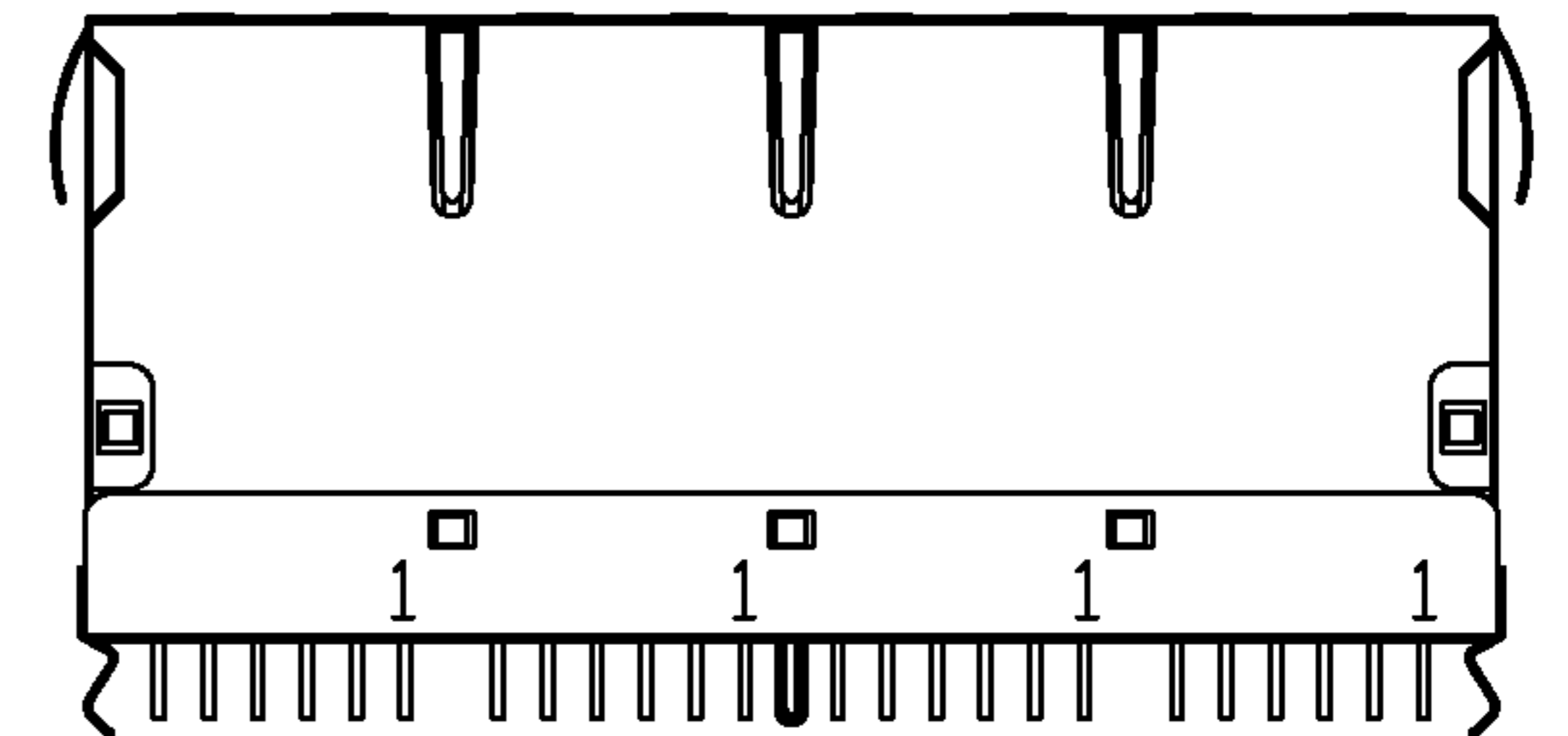
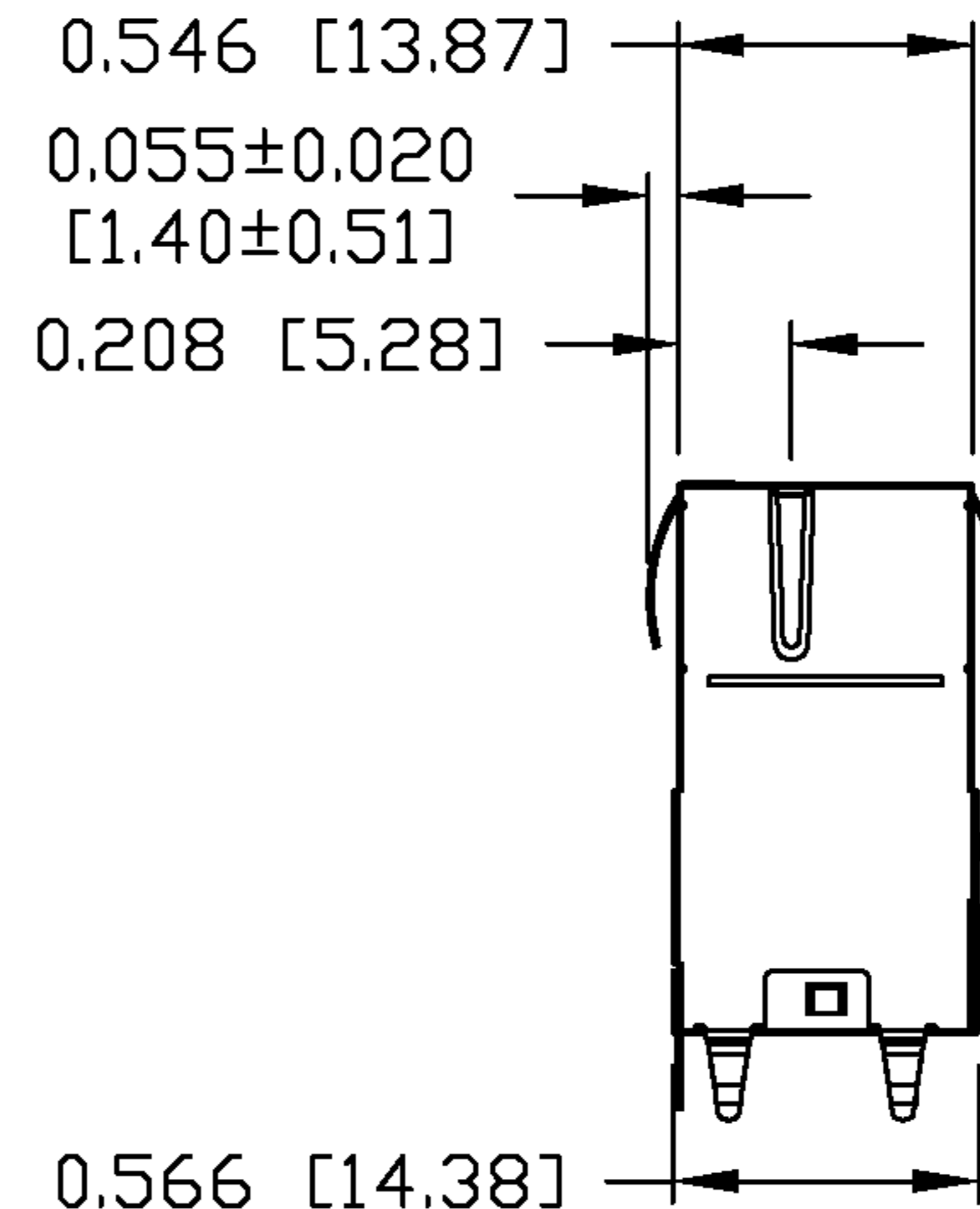
TOP VIEW



FRONT VIEW



BOTTOM VIEW



BACK VIEW

NOTES:

1. PLASTIC HOUSING: THERMOPLASTIC PBT
FLAMMABILITY RATING UL 94V-0
2. CONTACTS: 50 MICRO-INCH HARD GOLD PLATING
3. PINS: TIN-COATED COPPER WIRE, DIA 0.018 INCH.
4. METAL SHIELD: NICKEL PLATED ON COPPER ALLOY.
(ALL GROUND LEADS ARE SOLDER DIPPING)
FROG LEGS ARE FOR PCB RETENTION FORCE ONLY AND NOT FOR GROUNDING PURPOSE

5. MARK PART WITH MFG LOGO, PART NUMBER, DATE CODE AND MFG NAME.

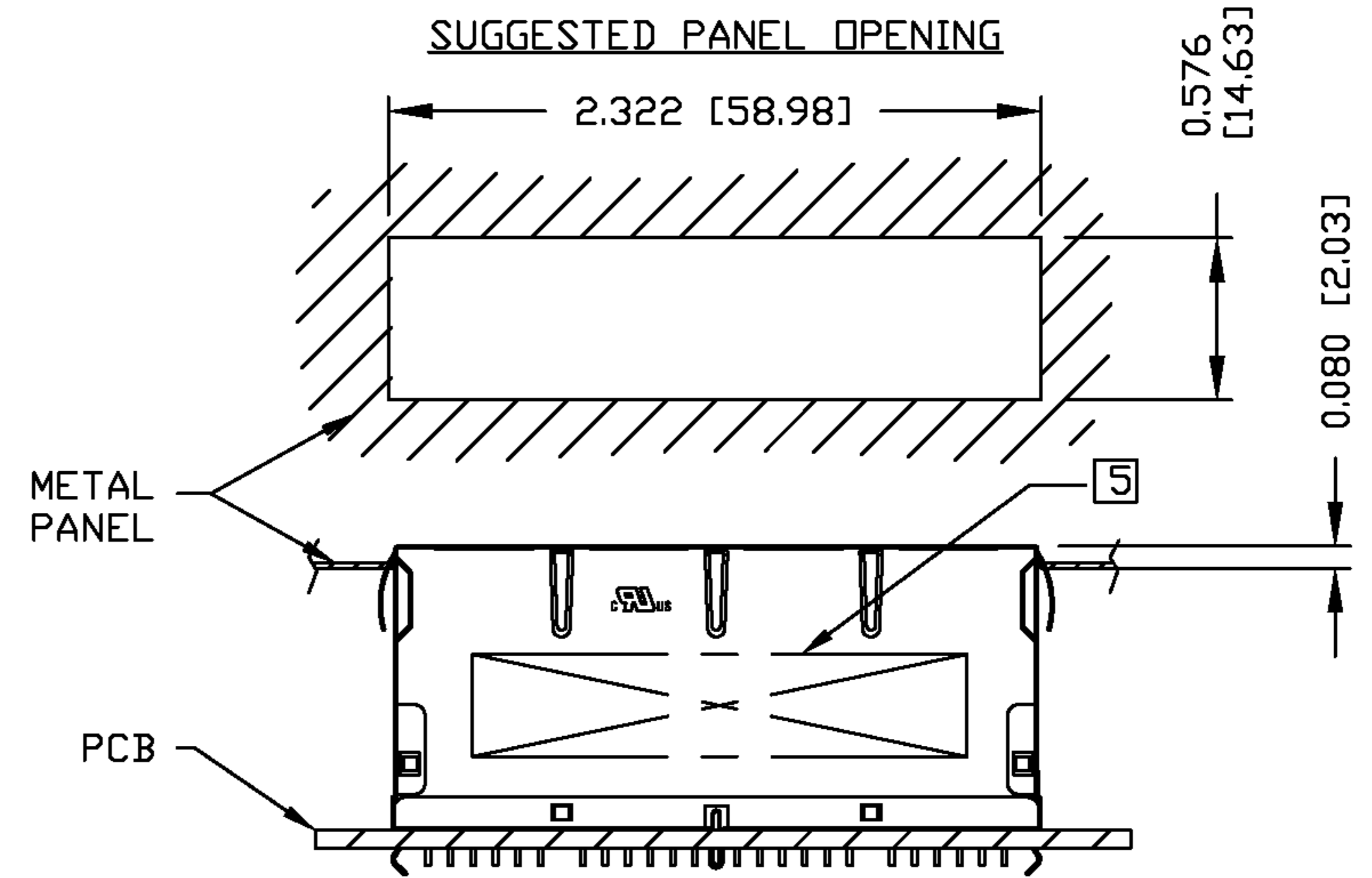
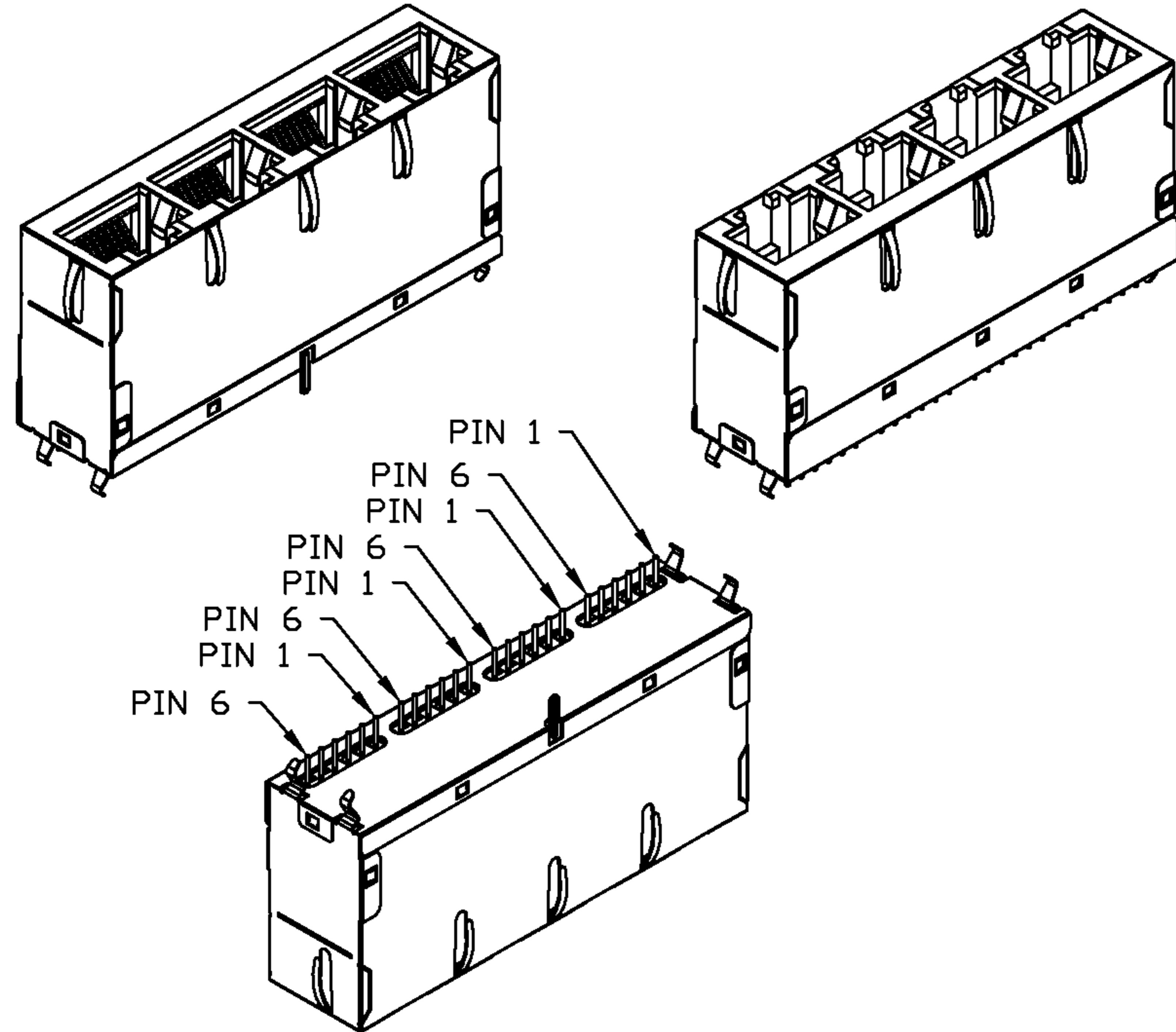
6. RoHS COMPLIANCE, PER EU DIRECTIVE 2002/95/EC.



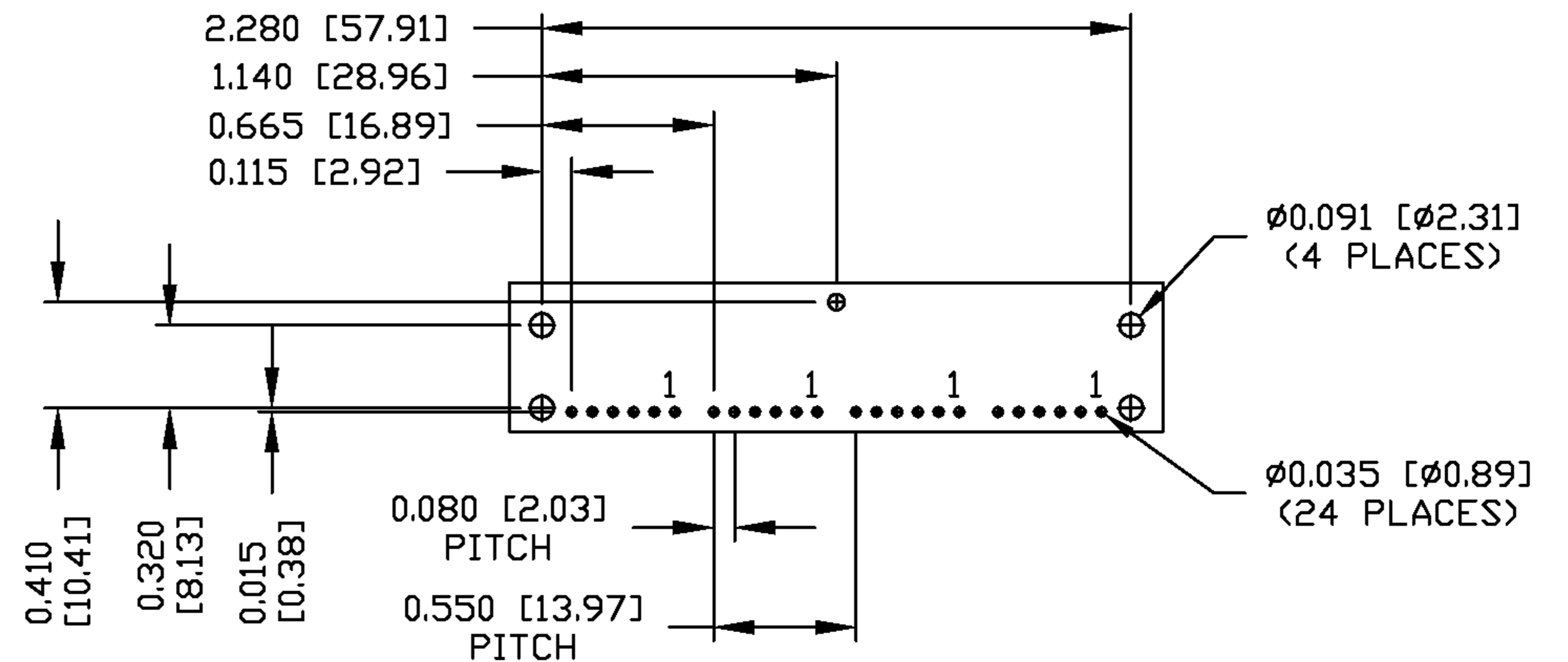
ORIGINATED BY QIN	DATE 03-04-06	TITLE 1X4 vertical mount MagJack® V811-1X4T-06-F	PART NO. / DRAWING NO. V8111X4T06-F	STANDARD DIM. TOL. IN INCH	[] METRIC DIM. AS REFERENCE
DRAWN BY TING	DATE 03-04-06		FILE NAME V8111X4T06-FA.DWG	.X .XX .XXX ±0.010	UNIT : INCH [mm] SCALE : N/A REV. : A SIZE : A4 PAGE : 3



THE INFORMATION CONTAINED HEREIN IS CONSIDERED "PROPRIETARY" TO BEL FUSE INC. AND SHALL NOT BE COPIED, REPRODUCED OR DISCLOSED WITHOUT THE WRITTEN APPROVAL OF BEL FUSE INC.



RECOMMENDED PCB FOOTPRINT
(COMPONENT SIDE VIEW)



PACKING INFORMATION

NOTE:

THE DISTANCE OF PANEL INSIDE SURFACE RELATIVE TO FRONT SURFACE OF PART IS ONLY A SUGGESTION. IN CASE THIS DISTANCE IS DIFFERENT, THE REQUIRED PANEL OPENING DIMENSIONS CHANGE ACCORDINGLY.

PACKING TRAY : 0200-9999-A4

PACKING QUANTITY : 25 PCS FINISHED GOODS PER TRAY

10 TRAYS (250 PCS FINISHED GOODS) PER CARTON BOX.

NOTE : CARDBOARD ARE PLACED BETWEEN LAYERS OF PACKING TRAY INSIDE CARTON BOX.

(INCLUDE THE UPPER MOST AND LOWER MOST TRAY)

ORIGINATED BY QIN	DATE 03-04-06	TITLE 1X4 vertical mount MagJack®	PART NO. / DRAWING NO. V8111X4T06-F	STANDARD DIM. TOL. IN INCH	[] METRIC DIM. AS REFERENCE
DRAWN BY TING	DATE 03-04-06	V811-1X4T-06-F	FILE NAME V8111X4T06-FA.DWG	.X .XX .XXX ±0.004	UNIT : INCH [mm] SCALE : N/A REV. : A SIZE : A4 PAGE : 4

