

THE INFORMATION CONTAINED HEREIN IS CONSIDERED "PROPRIETARY" TO BEL FUSE INC. AND SHALL NOT BE COPIED, REPRODUCED OR DISCLOSED WITHOUT THE WRITTEN APPROVAL OF BEL FUSE INC.

RoHS  
2002/95/EC



## ELECTRICAL CHARACTERISTICS @ 25°C

### TURNS RATIO

TX 1CT : 1  
RX 1CT : 1

### □CL @ 100kHz/100mVRMS

8mA DC BIAS 350μH MIN.

### INS. LOSS

1MHz TO 100MHz -1.0 dB MAX

### RET. LOSS (MIN)

1MHz-30MHz -18 dB  
30MHz-60MHz  $-18+20\text{LOG}(F/30\text{MHz})$  dB  
60MHz-80MHz -12 dB

### CROSS TALK (TX - RX)

500kHz - 100 MHz -35 dB MIN

### CM TO CM REJ

100kHz - 100 MHz -30 dB MIN

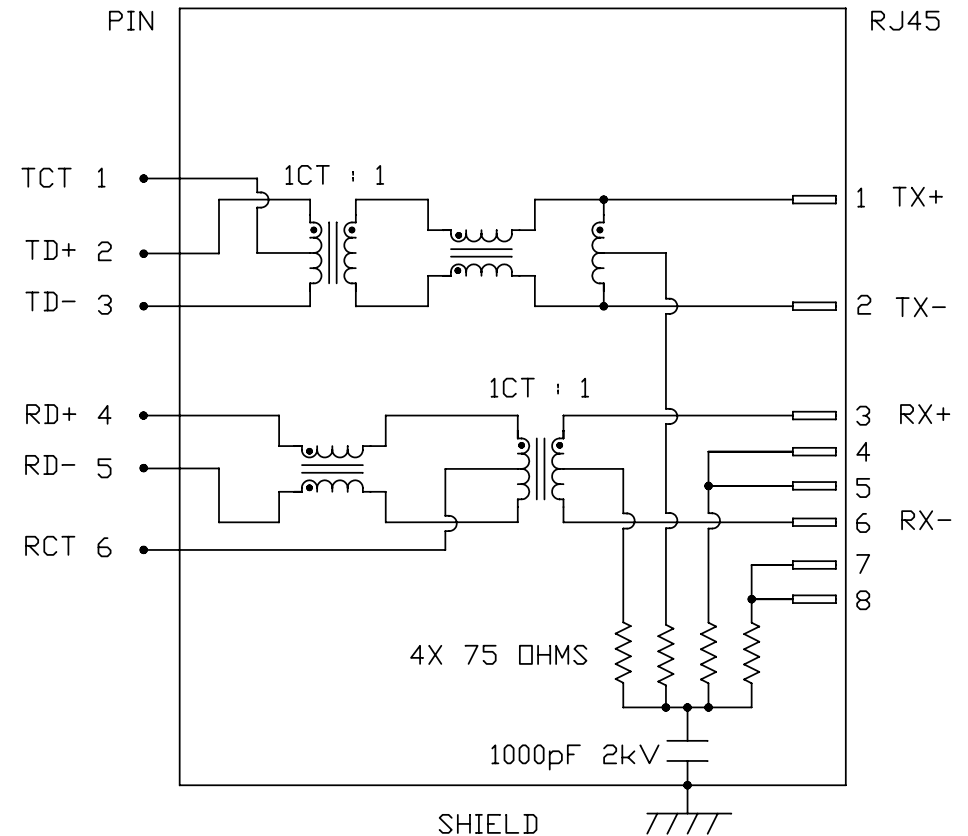
### CM TO DM REJ

100kHz - 100 MHz -40 dB MIN

### HIPOT (Isolation Voltage):

1500 Vrms

## SCHEMATIC



ORIGINATED BY	DATE	TITLE	PART NO. / DRAWING NO.	STANDARD DIM. TOL. IN INCH	[ ] METRIC DIM. AS REFERENCE
CHOU WANGCHUNG	05-23-11	1X4 vertical mount MagJack® V811-1X4T-03-F PATENTED	V8111X4T03-F	.X	UNIT : INCH [mm] REV. : A
DRAWN BY	DATE		FILE NAME	.XX	SCALE : N/A SIZE : A4
TAN QIGUANG	05-23-11		V8111X4T03-F_A.DWG	.XXX	⊕ --- PAGE : 2

**bel**  
COMPONENTS FOR A  
CONNECTED  
PLANET

THE INFORMATION CONTAINED HEREIN IS CONSIDERED "PROPRIETARY" TO BEL FUSE INC. AND SHALL NOT BE COPIED, REPRODUCED OR DISCLOSED WITHOUT THE WRITTEN APPROVAL OF BEL FUSE INC.

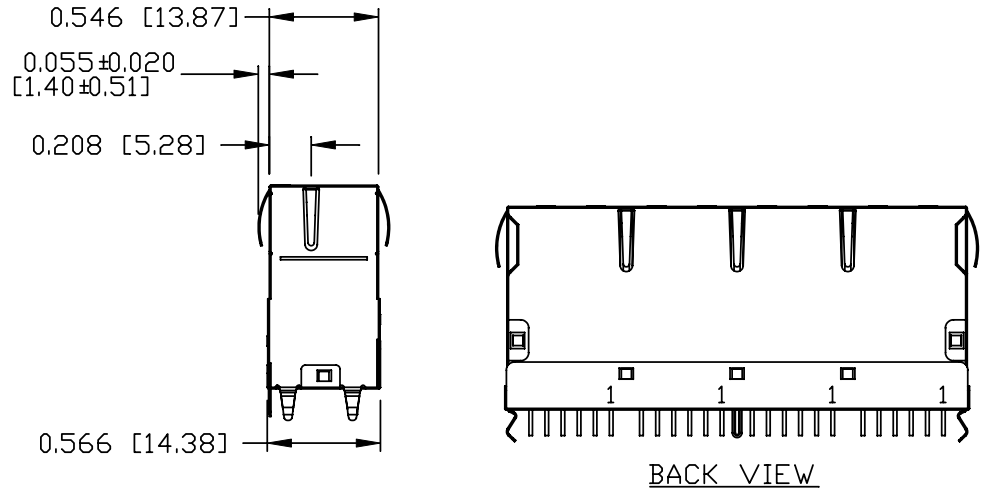
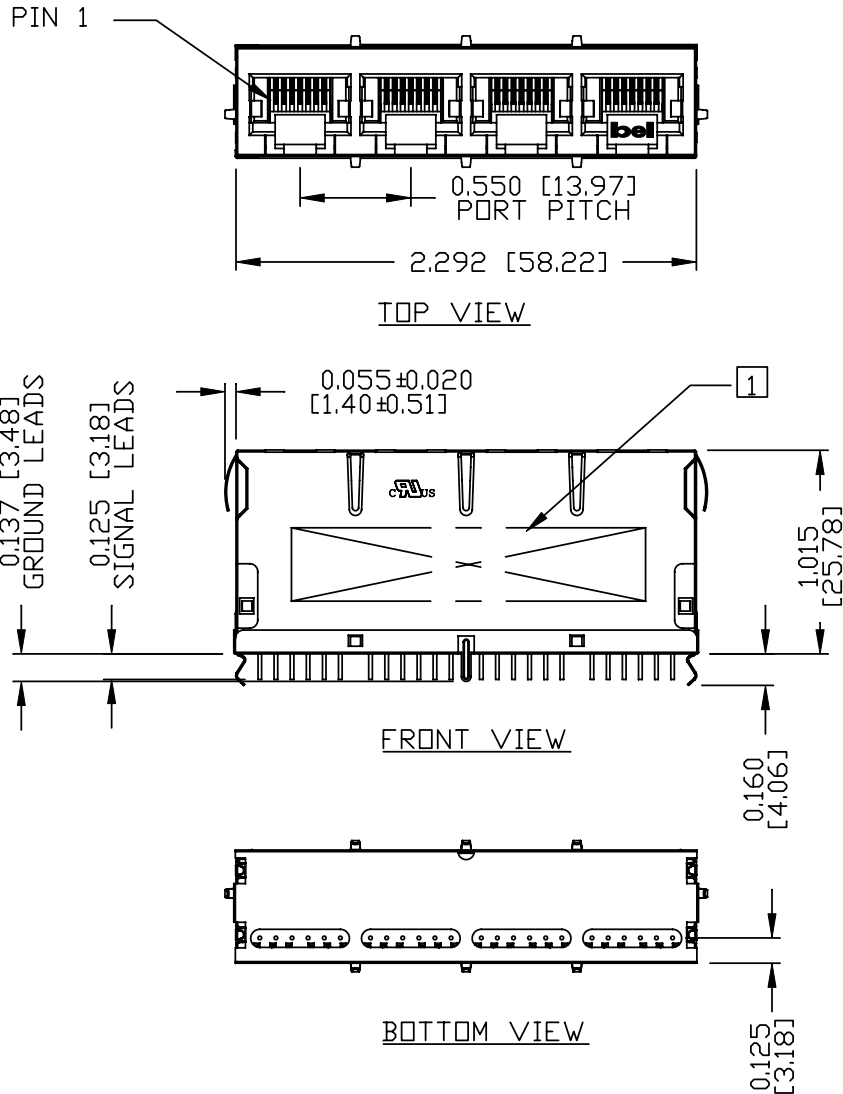
# MECHANICAL SPECIFICATION

RoHS  
2002/95/EC



## NOTES:

PLASTIC HOUSING: THERMOPLASTIC PBT  
 FLAMMABILITY RATING UL 94V-0  
 CONTACTS: 30 MICRO-INCH HARD GOLD PLATING  
 PINS: TIN-COATED COPPER WIRE, DIA 0.018 INCH.  
 METAL SHIELD: NICKEL OR TIN PLATED ON COPPER ALLOY.  
 (ALL NICKEL PLATED GROUND LEADS ARE SOLDER DIPPED)



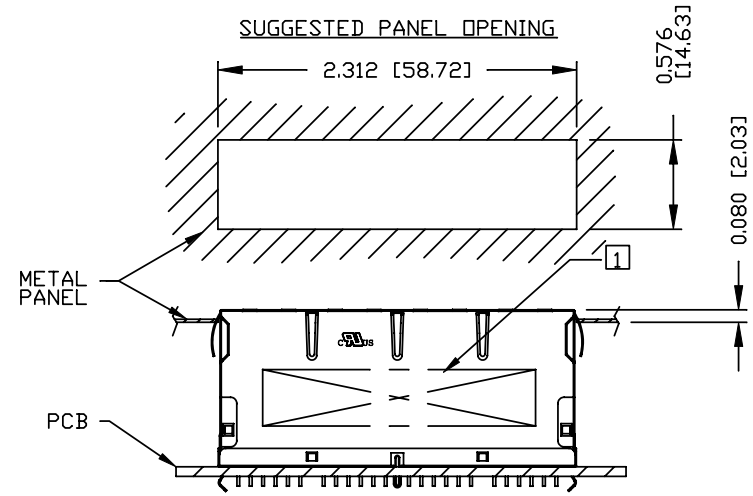
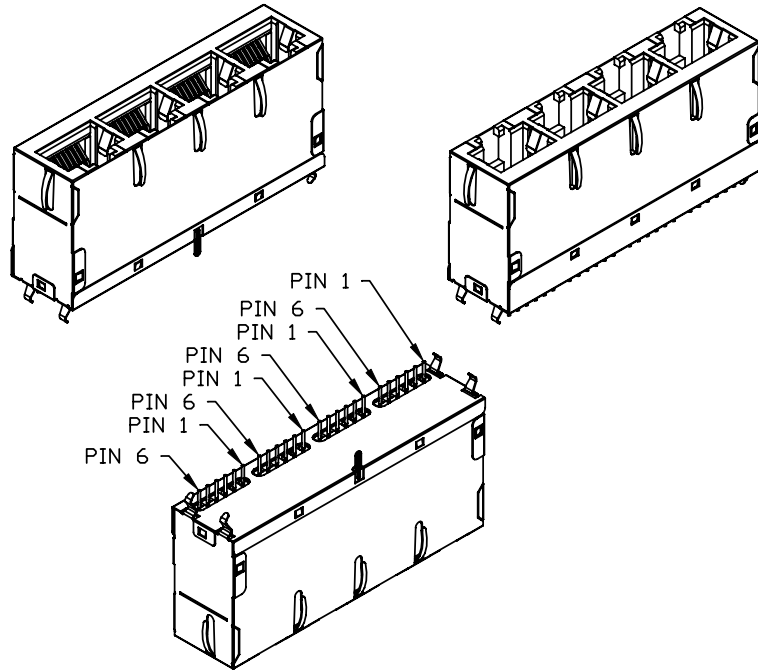
1. MARK PART WITH MFG. LOGO; MFG. NAME; PART NUMBER; DATE CODE. AND PATENTED
2. JACK CAVITY CONFORMS TO FCC RULES AND REGULATIONS, PART 68 SUBPART F.  
 cULusUL RECOGNIZED - FILE #E196366 AND E169987.  
 RoHS COMPLIANCE, PER EU DIRECTIVE 2002/95/EC.
3. THE PRODUCT IS PATENTED, THE PATENT NUMBER IS U.S. PAT. 5,736,910.

ORIGINATED BY	DATE	TITLE 1X4 vertical mount MagJack® V811-1X4T-03-F PATENTED	PART NO. / DRAWING NO.	STANDARD DIM. TOL. IN INCH		[ ] METRIC DIM. AS REFERENCE	
CHEN BILL	05-23-11		V8111X4T03-F	.X	/	UNIT : INCH [mm]	REV. : A
DRAWN BY	DATE		FILE NAME	.XX		SCALE : N/A	SIZE : A4
HE ZHEN	05-23-11	V8111X4T03-F_A.DWG	.XXX	±0.010		PAGE : 3	

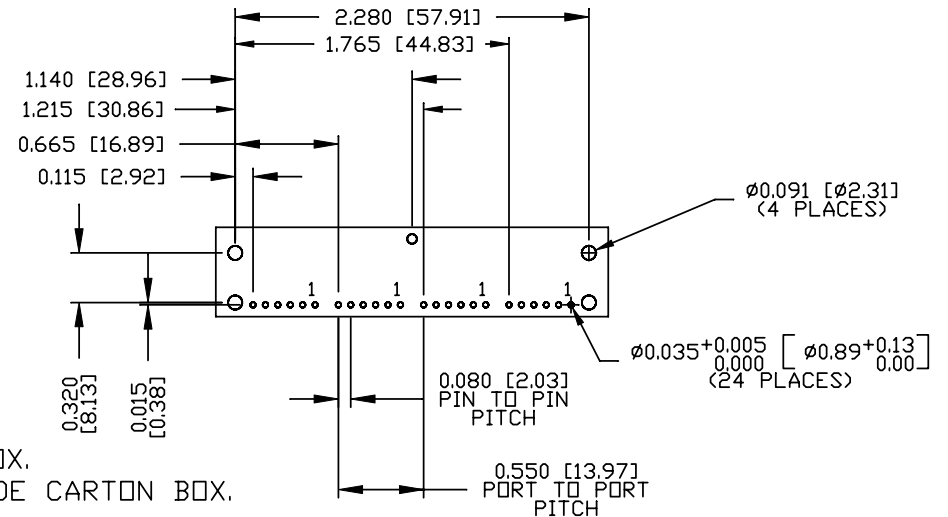


THE INFORMATION CONTAINED HEREIN IS CONSIDERED "PROPRIETARY" TO BEL FUSE INC. AND SHALL NOT BE COPIED, REPRODUCED OR DISCLOSED WITHOUT THE WRITTEN APPROVAL OF BEL FUSE INC.

RoHS  
2002/95/EC



RECOMMENDED PCB FOOTPRINT  
(COMPONENT SIDE VIEW)



PACKING INFORMATION

NOTE:

THE DISTANCE OF PANEL INSIDE SURFACE RELATIVE TO FRONT SURFACE OF PART IS ONLY A SUGGESTION. IN CASE THIS DISTANCE IS DIFFERENT, THE REQUIRED PANEL OPENING DIMENSIONS CHANGE ACCORDINGLY.

PACKING TRAY : 0200-9999-A4

PACKING QUANTITY : 25 PCS FINISHED GOODS PER TRAY

10 TRAYS (250 PCS FINISHED GOODS) PER CARTON BOX.

NOTE : CARDBOARD ARE PLACED BETWEEN LAYERS OF PACKING TRAY INSIDE CARTON BOX.

(INCLUDE THE UPPER MOST AND LOWER MOST TRAY)

ORIGINATED BY	DATE	TITLE	PART NO. / DRAWING NO.	STANDARD DIM. TOL. IN INCH	[ ] METRIC DIM. AS REFERENCE
CHEN BILL	05-23-11	1x4 vertical mount MagJack® V811-1X4T-03-F PATENTED	V8111X4T03-F	.X	UNIT : INCH [mm]
DRAWN BY	DATE			.XX	SCALE : N/A
HE ZHEN	05-23-11		V8111X4T03-F_A.DWG	.XXX ±0.010	SIZE : A4
					PAGE : 4

