

THE INFORMATION CONTAINED HEREIN IS CONSIDERED "PROPRIETARY" TO BEL FUSE INC. AND SHALL NOT BE COPIED, REPRODUCED OR DISCLOSED WITHOUT THE WRITTEN APPROVAL OF BEL FUSE INC.

PRELIMINARY



ELECTRICAL CHARACTERISTICS @ 25°C

TURNS RATIO

TP1	1CT : 1CT ±2%
TP2	1CT : 1CT ±2%
TP3	1CT : 1CT ±2%
TP4	1CT : 1CT ±2%

OCL @ 100kHz/100mVRMS 350uH MIN.

8mA DC BIAS (-40° - +85°C)

INS. LOSS

100kHz TO 1MHz	-1.1 dB MAX
1MHz TO 65MHz	-0.5 dB MAX
65MHz TO 100MHz	-0.8 dB MAX
100MHz TO 125MHz	-1.2 dB MAX

RET. LOSS (MIN) @ 100OHMS ±15%

0.5MHz-40MHz	-18 dB
40MHz-100MHz	-12+20LOG(f/80MHz) dB

CROSS TALK:

Ch1-Ch2,Ch1-Ch3,Ch1-Ch4,Ch2-Ch3,Ch2-Ch4,Ch3-Ch4	
1MHz - 100MHz	-33+20LOG(f/100MHz) dB

CM TO CM REJ

100kHz - 100MHz	-30 dB MIN
-----------------	------------

CM TO DM REJ

100kHz - 100MHz	-35 dB MIN
-----------------	------------

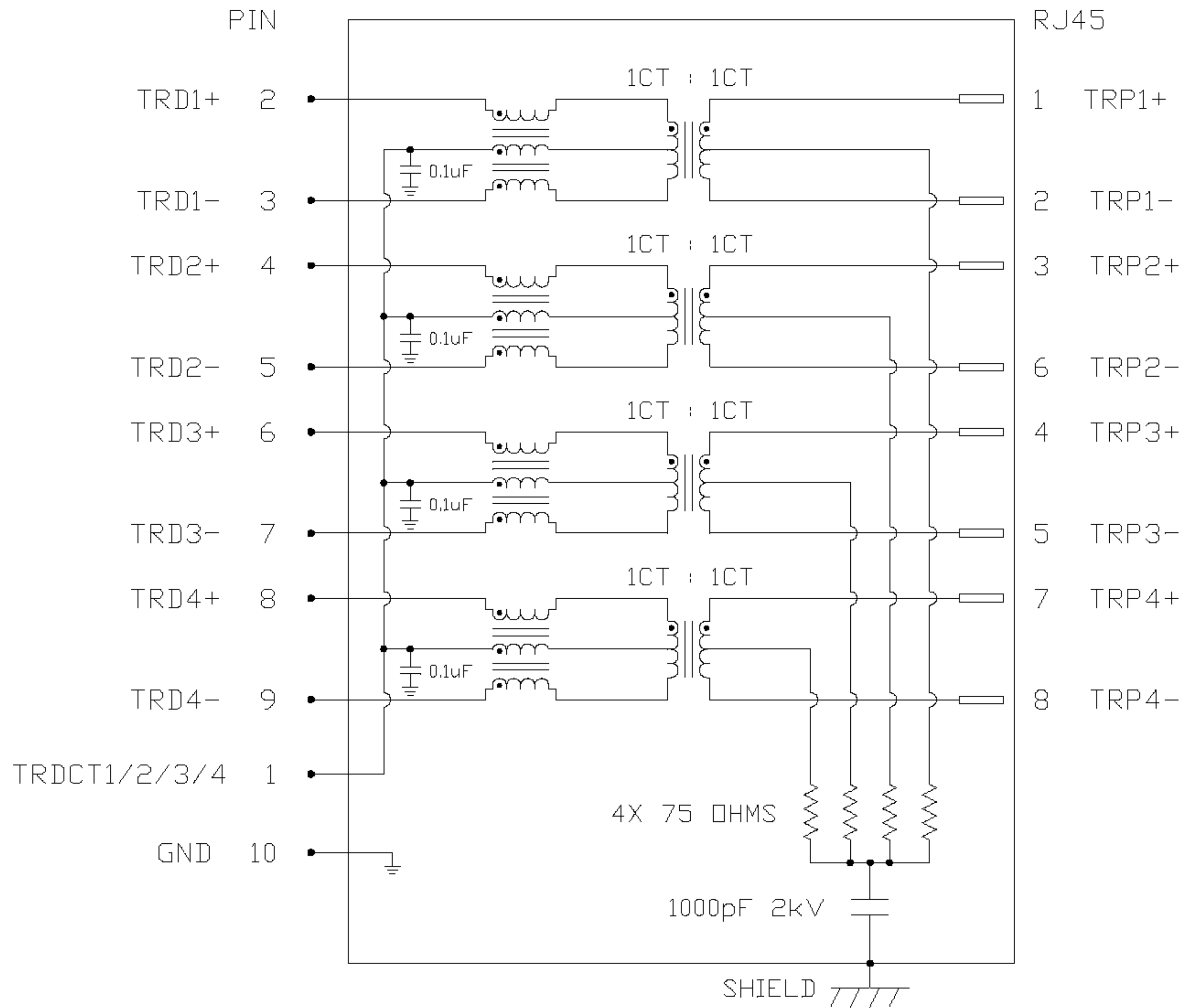
CMRR:

2MHz - 100MHz	-39+19.2LOG(f/50MHz) dB
---------------	-------------------------

OPERATING TEMPERATURE RANGE: -40° TO +85°C

HIPOT (Isolation Voltage): 1500 Vrms

SCHEMATIC



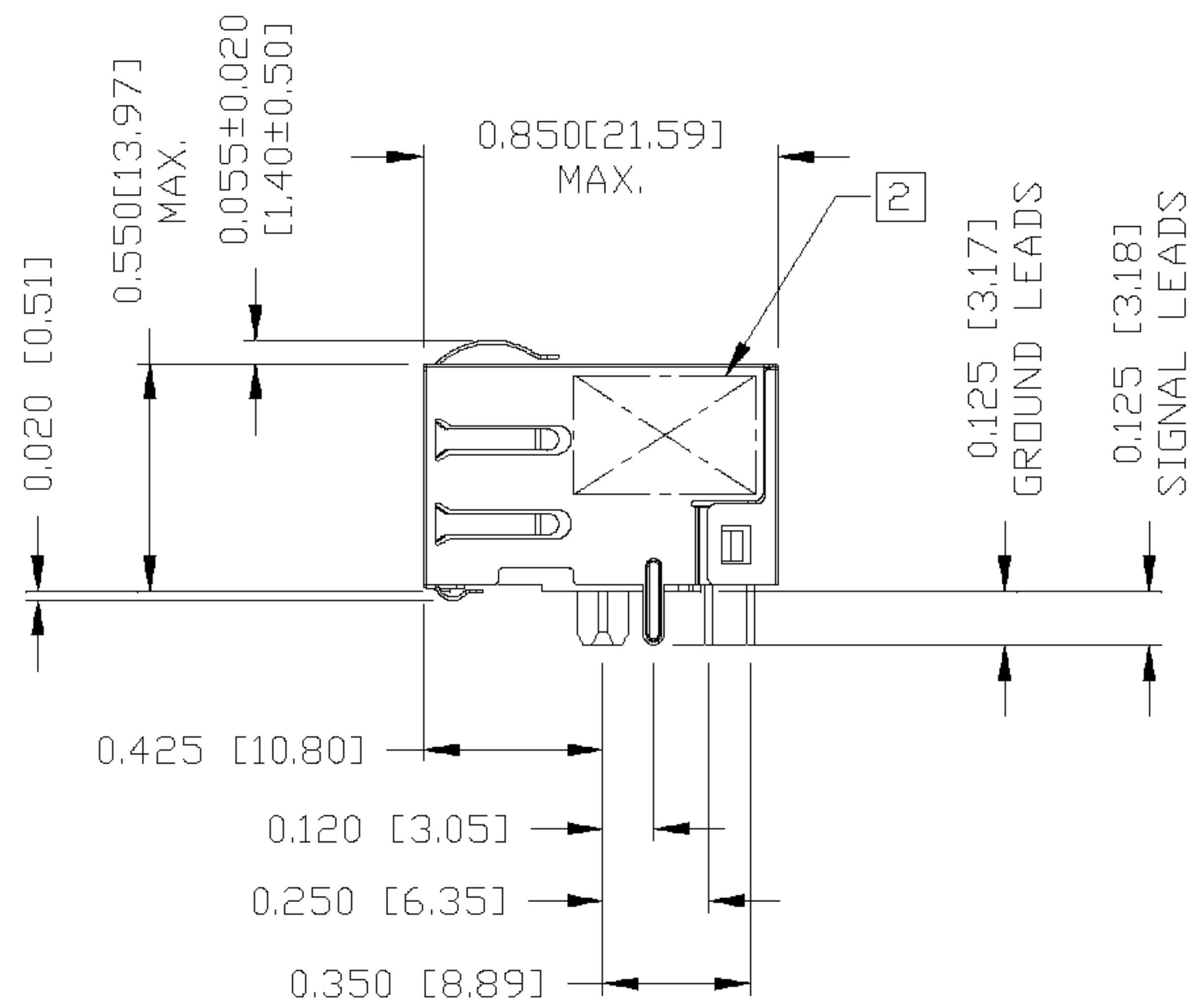
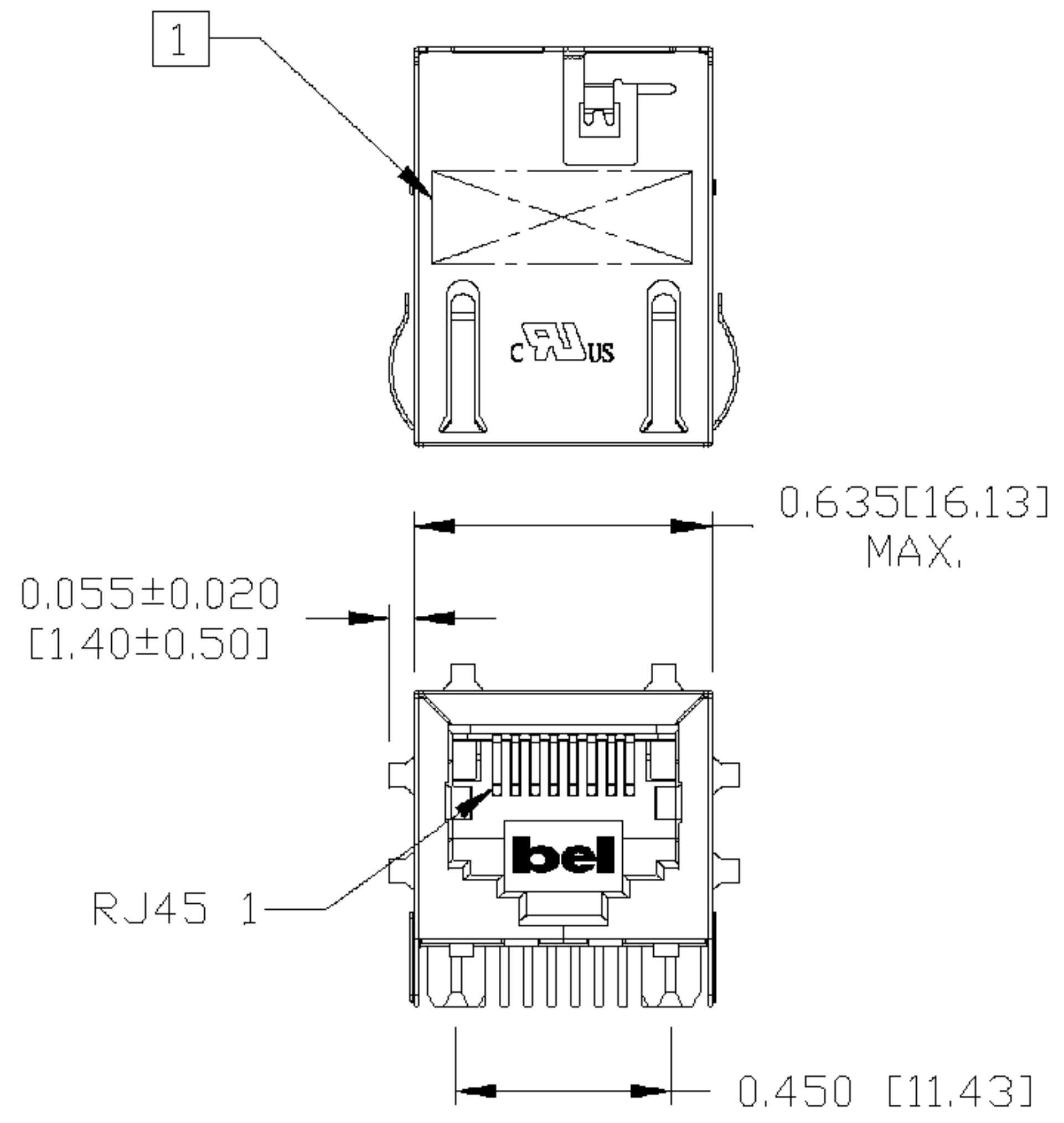
ORIGINATED BY CHUNG	DATE 02-28-07	TITLE Gigabit MagJack® FOR EXTEND TEMPERATURE	PART NO. / DRAWING NO. SI-61015-F	STANDARD DIM. TOL. IN INCH .X .XX .XXX	[ ] METRIC DIM. AS REFERENCE UNIT : INCH [mm] SCALE : N/A	REV. : PB SIZE : A4 PAGE : 2	
DRAWN BY DE	DATE 02-28-07		FILE NAME SI61015-FPB.DWG				

THE INFORMATION CONTAINED HEREIN IS CONSIDERED "PROPRIETARY" TO BEL FUSE INC. AND SHALL NOT BE COPIED, REPRODUCED OR DISCLOSED WITHOUT THE WRITTEN APPROVAL OF BEL FUSE INC.

RoHS  
2002/95/EC



PRELIMINARY



NOTES:

- PLASTIC HOUSING: THERMOPLASTIC PBT  
FLAMMABILITY RATING UL 94V-0
- CONTACTS PLATING: 50 MICRO-INCH HARD GOLD PLATING
- PINS: TIN-COATED COPPER WIRE, DIA 0.018 INCH.
- METAL SHIELD: NICKEL PLATED ON COPPER ALLOY.  
(ALL GROUND LEADS ARE SOLDER DIPPED)
- JACK CAVITY CONFORMS TO FCC RULES AND REGULATIONS

[1] MARK PART WITH MFG PART NUMBER(SI-61015-F), DATE CODE.

[2] MARK PART WITH MFG LOGO, MFG NAME.

3. RoHS COMPLIANCE, PER EU DIRECTIVE 2002/95/EC.

UL RECOGNIZED - FILE #E132408.

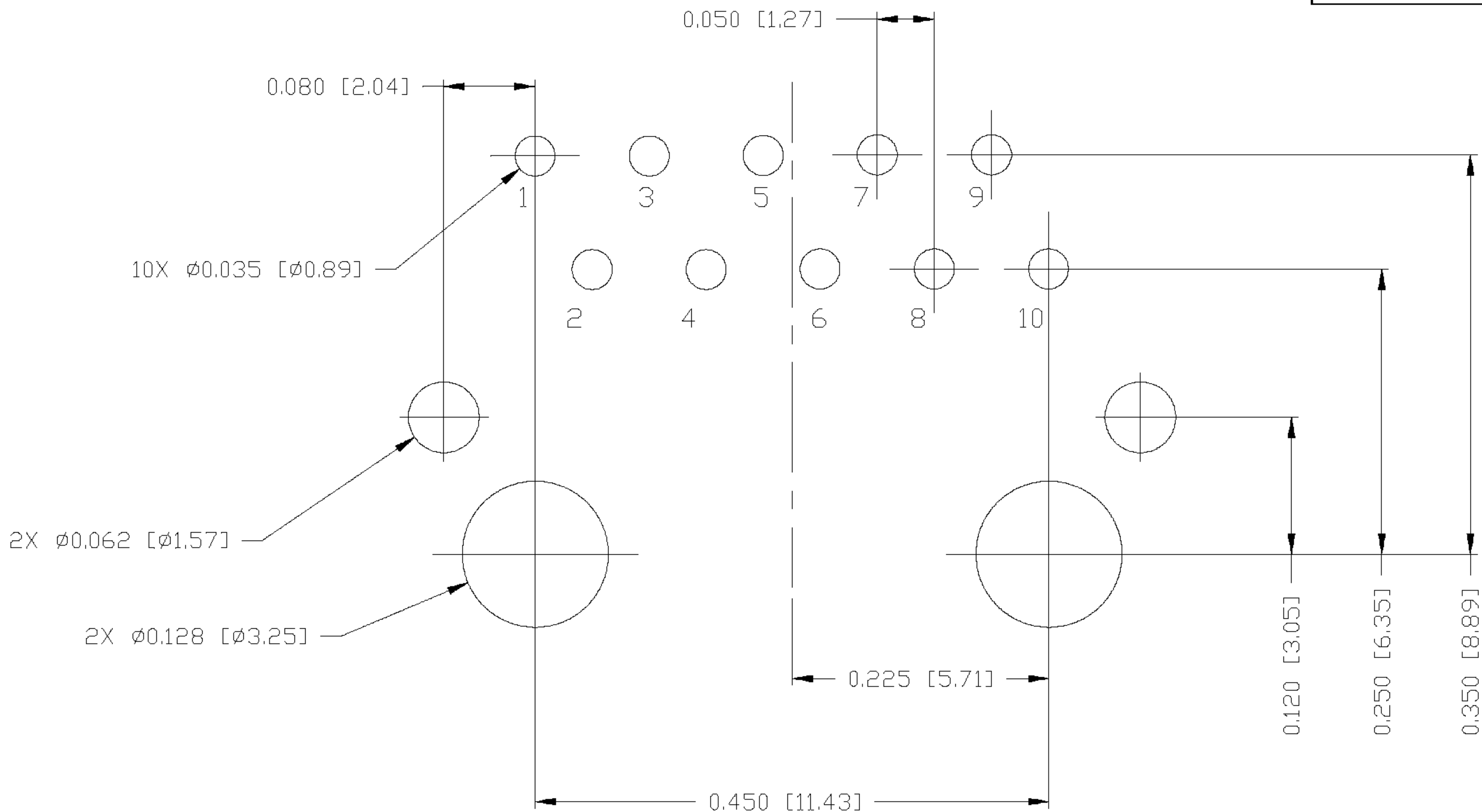
ORIGINATED BY BILL	DATE 02-28-07	TITLE Gigabit MagJack® FOR EXTEND TEMPERATURE	PART NO. / DRAWING NO. SI-61015-F	STANDARD DIM. TOL. IN INCH	[ ] METRIC DIM. AS REFERENCE	
DRAWN BY SALLY	DATE 02-28-07		FILE NAME SI61015-FPB.DWG	.X .XX .XXX ±0.010	UNIT : INCH [mm]	REV. : PB
				SCALE : N/A	SIZE : A4	
					PAGE : 3	



THE INFORMATION CONTAINED HEREIN IS CONSIDERED "PROPRIETARY" TO BEL FUSE INC. AND SHALL NOT BE COPIED, REPRODUCED OR DISCLOSED WITHOUT THE WRITTEN APPROVAL OF BEL FUSE INC.

PRELIMINARY

RoHS  
2002/95/EC



RECOMMENDED PCB FOOTPRINT  
COMPONENT SIDE VIEW

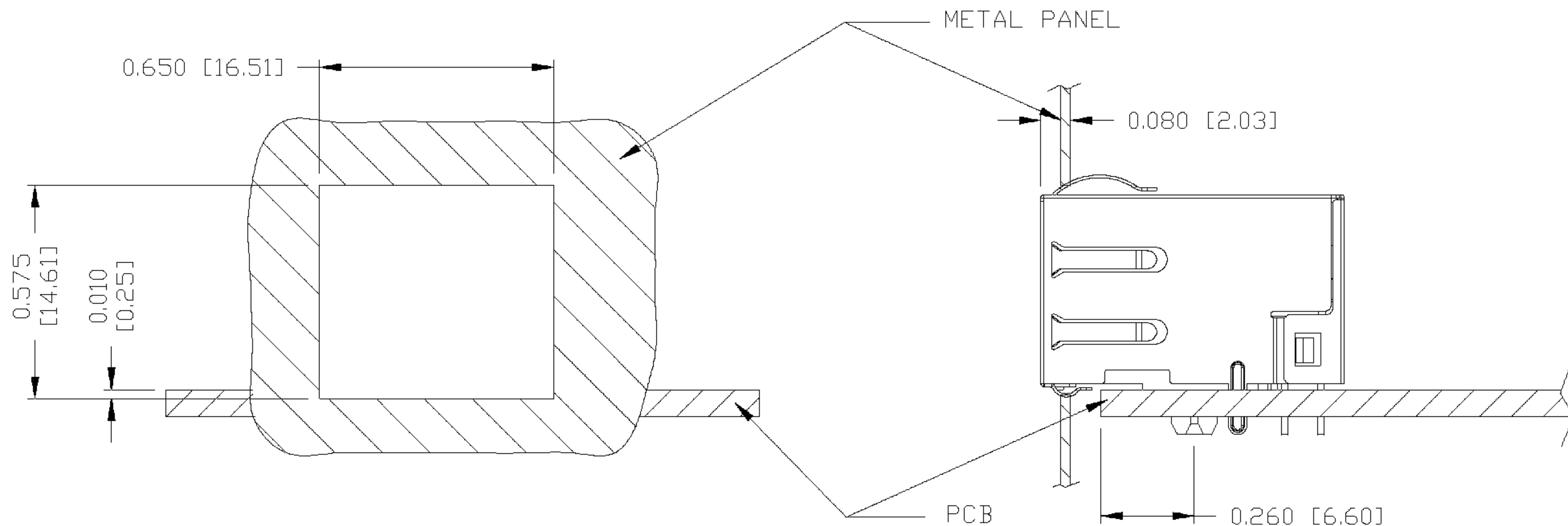
ORIGINATED BY BILL	DATE 02-28-07	TITLE Gigabit MagJack® FOR EXTEND TEMPERATURE	PART NO. / DRAWING NO. SI-61015-F	STANDARD DIM. TOL. IN INCH	[ ] METRIC DIM. AS REFERENCE	 COMPONENTS FOR A CONNECTED PLANET
DRAWN BY SALLY	DATE 02-28-07		FILE NAME SI61015-FPB.DWG	.X	UNIT : INCH [mm]	
			.XX	SCALE : N/A	SIZE : A4	
			.XXX	±0.004	PAGE : 4	

THE INFORMATION CONTAINED HEREIN IS CONSIDERED "PROPRIETARY" TO BEL FUSE INC. AND SHALL NOT BE COPIED, REPRODUCED OR DISCLOSED WITHOUT THE WRITTEN APPROVAL OF BEL FUSE INC.

PRELIMINARY



SUGGESTED PANEL OPENING



NOTES:

THE DISTANCE OF PANEL INSIDE SURFACE RELATIVE TO FRONT SURFACE OF PART IS ONLY A SUGGESTION. IN CASE THIS DISTANCE IS DIFFERENT, THE REQUIRED PANEL OPENING DIMENSIONS CHANGE ACCORDINGLY.

PACKING INFORMATION

PACKING TRAY : 0200-9999-Q7 (TOP)  
0200-9999-Q8 (BOTTOM)

PACKING QUANTITY : 80 PCS FINISHED GOODS PER TRAY  
10 TRAYS (800 PCS FINISHED GOODS) PER CARTON BOX

NOTE : CARDBOARDS ARE PLACED BETWEEN LAYERS OF PACKING TRAY INSIDE CARTON BOX  
(INCLUDE THE UPPERMOST AND LOWERMOST TRAY)

ORIGINATED BY	DATE	TITLE	PART NO. / DRAWING NO.	STANDARD DIM. TOL. IN INCH	[ ] METRIC DIM. AS REFERENCE
BILL	02-28-07	Gigabit MagJack® FOR EXTEND TEMPERATURE	SI-61015-F	.X	UNIT : INCH [mm] REV. : PB
DRAWN BY	DATE		FILE NAME	.XX	SCALE : N/A SIZE : A4
SALLY	02-28-07		SI61015-FPB.DWG	.XXX ±0.004	⊕ — [ ] — PAGE : 5

