

THE INFORMATION CONTAINED HEREIN IS CONSIDERED 'PROPRIETARY' TO BEL FUSE INC. AND SHALL NOT BE COPIED, REPRODUCED OR DISCLOSED WITHOUT THE WRITTEN APPROVAL OF BEL FUSE INC.

PRELIMINARY



ELECTRICAL CHARACTERISTICS @ 25°C

URNS RATIO

TP1	1CT : 1CT ±2%
TP2	1CT : 1CT ±2%
TP3	1CT : 1CT ±2%
TP4	1CT : 1CT ±2%

OCL @ 100kHz/100mVRMS

8mA DC BIAS 350µH MIN.

DC RESISTANCE:

(RJ1-RJ2);(RJ3-RJ6)	1.2 ohms Max.
(RJ4-RJ5);(RJ7-RJ8)	1.2 ohms Max.

INS. LOSS

100KHz TO 100MHz -1.1 dB MAX

RET. LOSS (MIN)

1MHz-30MHz	-18 dB
30MHz-100MHz	-12+20LOG(f/80MHz) dB

CROSS TALK:

1MHz - 60MHz	-35 dB MIN
60Hz - 100MHz	-25 dB MIN

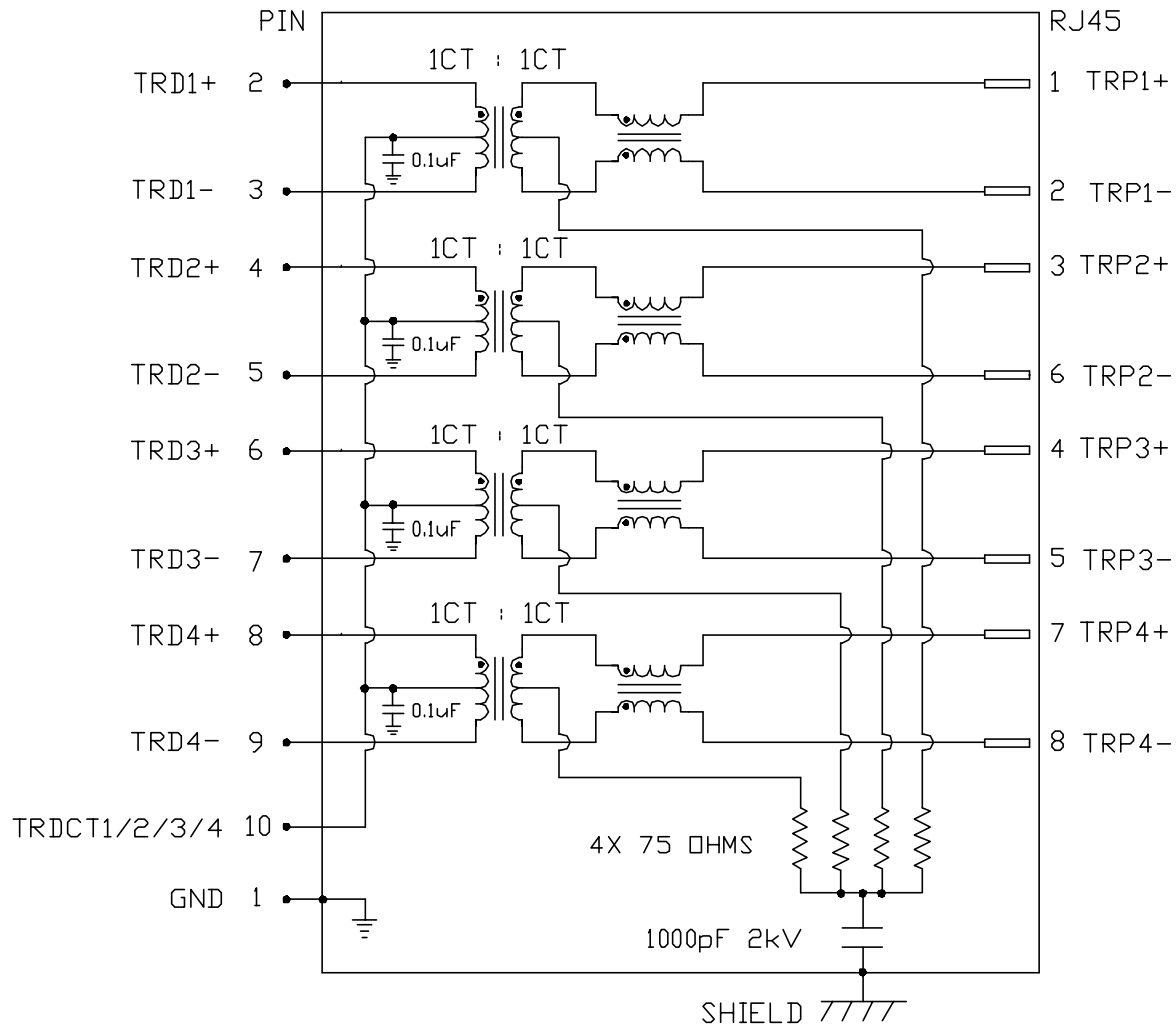
CM TO CM REJ

100kHz - 100MHz -35 dB MIN

HIPOT (Isolation Voltage):

1500 Vrms or 2250VDC

SCHEMATIC



ORIGINATED BY	DATE	TITLE
CHUNG	05-18-06	Gigabit MagJack®
DRAWN BY	DATE	
DE	05-18-06	

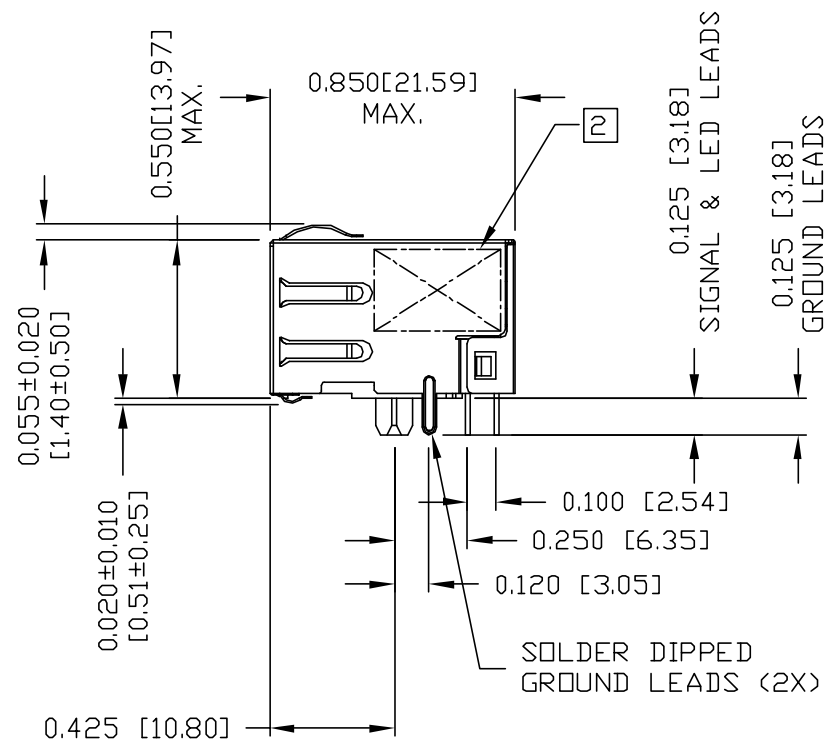
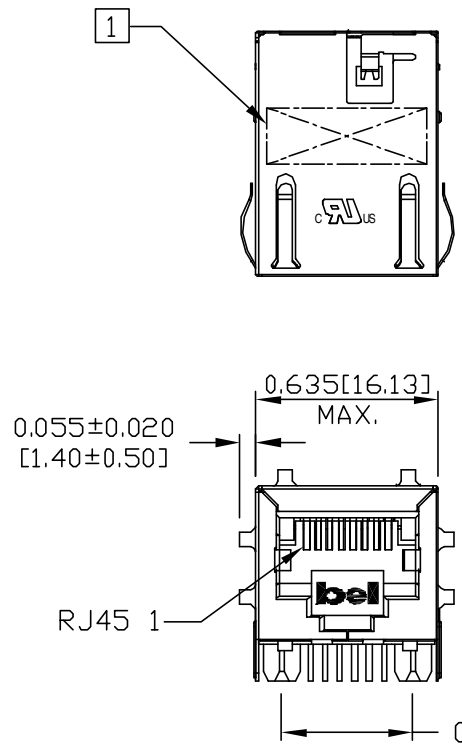
PART NO. / DRAWING NO.	SI-61007-F
FILE NAME	SI61007FPA.DWG

STANDARD DIM.	[] METRIC DIM. AS REFERENCE
TOL. IN INCH	UNIT : INCH [mm]
.X	SCALE : N/A
.XX	REV. : PA
.XXX	SIZE : A4
	PAGE : 2



THE INFORMATION CONTAINED HEREIN IS CONSIDERED 'PROPRIETARY' TO BEL FUSE INC. AND SHALL NOT BE COPIED, REPRODUCED OR DISCLOSED WITHOUT THE WRITTEN APPROVAL OF BEL FUSE INC.

PRELIMINARY



NOTES:
 PLASTIC HOUSING: THERMOPLASTIC PBT
 FLAMMABILITY RATING UL 94V-0
 CONTACTS PLATING: 50 MICRO-INCH HARD GOLD PLATING
 PINS: TIN-COATED COPPER WIRE, DIA 0.018 INCH.
 METAL SHIELD: NICKEL PLATED ON COPPER ALLOY.
 (ALL GROUND LEADS ARE SOLDER DIPPED)

- 1 MARK PART WITH MFG PART NUMBER(SI-61007-F), DATE CODE.
 - 2 MARK PART WITH MFG LOGO, MFG NAME.
 - 3. RoHS COMPLIANCE, PER EU DIRECTIVE 2002/95/EC.
- c us UL RECOGNIZED - FILE #E132408.

ORIGINATED BY	DATE	TITLE	PART NO. / DRAWING NO.	STANDARD DIM.	[] METRIC DIM. AS REFERENCE	
BILL/KEUNG	05-18-06	Gigabit MagJack®	SI-61007-F	TOL. IN INCH	UNIT : INCH [mm]	REV. : PA
DRAWN BY	DATE		FILE NAME	.X	SCALE : N/A	SIZE : A4
WEIGH	05-18-06		SI61007FPA.DWG	.XX		PAGE : 3
			.XXX	±0.010		

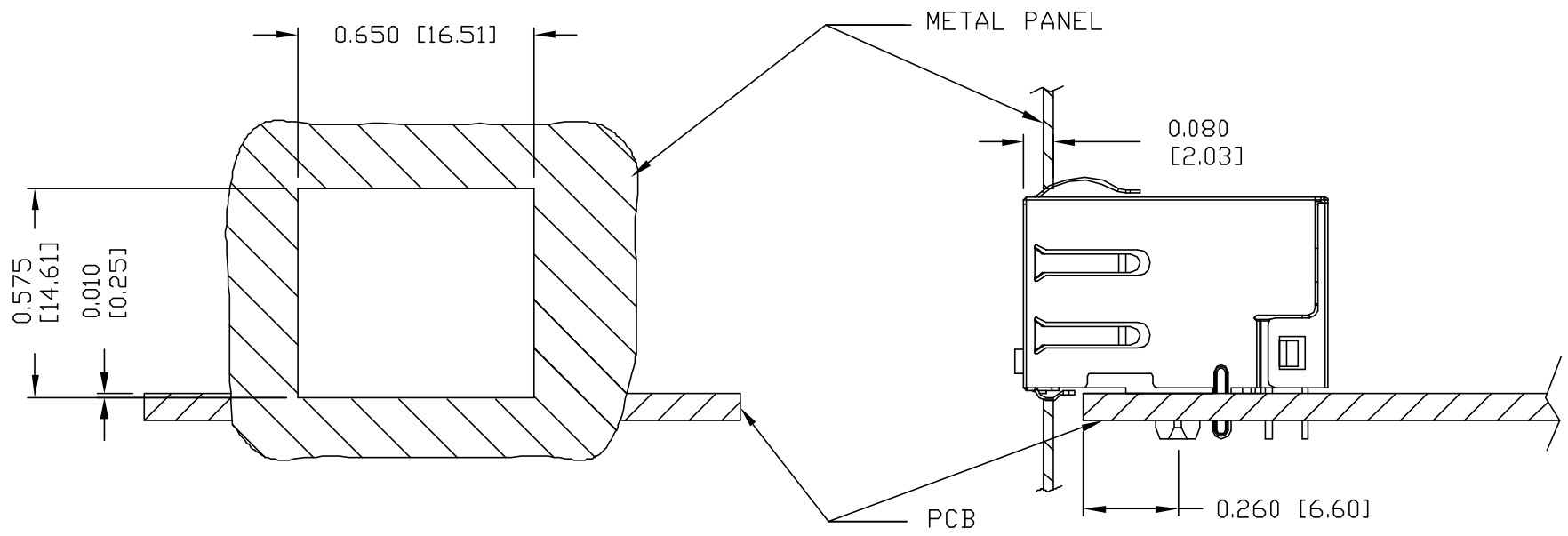


THE INFORMATION CONTAINED HEREIN IS CONSIDERED 'PROPRIETARY' TO BEL FUSE INC. AND SHALL NOT BE COPIED, REPRODUCED OR DISCLOSED WITHOUT THE WRITTEN APPROVAL OF BEL FUSE INC.

PRELIMINARY



SUGGESTED PANEL OPENING



NOTES:

THE DISTANCE OF PANEL INSIDE SURFACE RELATIVE TO FRONT SURFACE OF PART IS ONLY A SUGGESTION. IN CASE THIS DISTANCE IS DIFFERENT, THE REQUIRED PANEL OPENING DIMENSIONS CHANGE ACCORDINGLY.

PACKING INFORMATION

PACKING TRAY : 0200-9999-Q7 (TOP)
0200-9999-Q8 (BOTTOM)

PACKING QUANTITY : 77 PCS FINISHED GOODS PER TRAY
10 TRAYS (770 PCS FINISHED GOODS) PER CARTON BOX

NOTE : CARDBOARDS ARE PLACED BETWEEN LAYERS OF PACKING TRAY INSIDE CARTON BOX
(INCLUDE THE UPPERMOST AND LOWERMOST TRAY)

ORIGINATED BY	DATE	TITLE	PART NO. / DRAWING NO.	STANDARD DIM. TOL. IN INCH	[] METRIC DIM. AS REFERENCE
BILL/KEUNG	05-18-06	Gigabit MagJack®	SI-61007-F	.X	UNIT : INCH [mm] REV. : PA
DRAWN BY	DATE		FILE NAME	.XX	SCALE : N/A SIZE : A4
WEIGH	05-18-06		SI61007FPA.DWG	.XXX ±0.005	⊕ — PAGE : 5

