

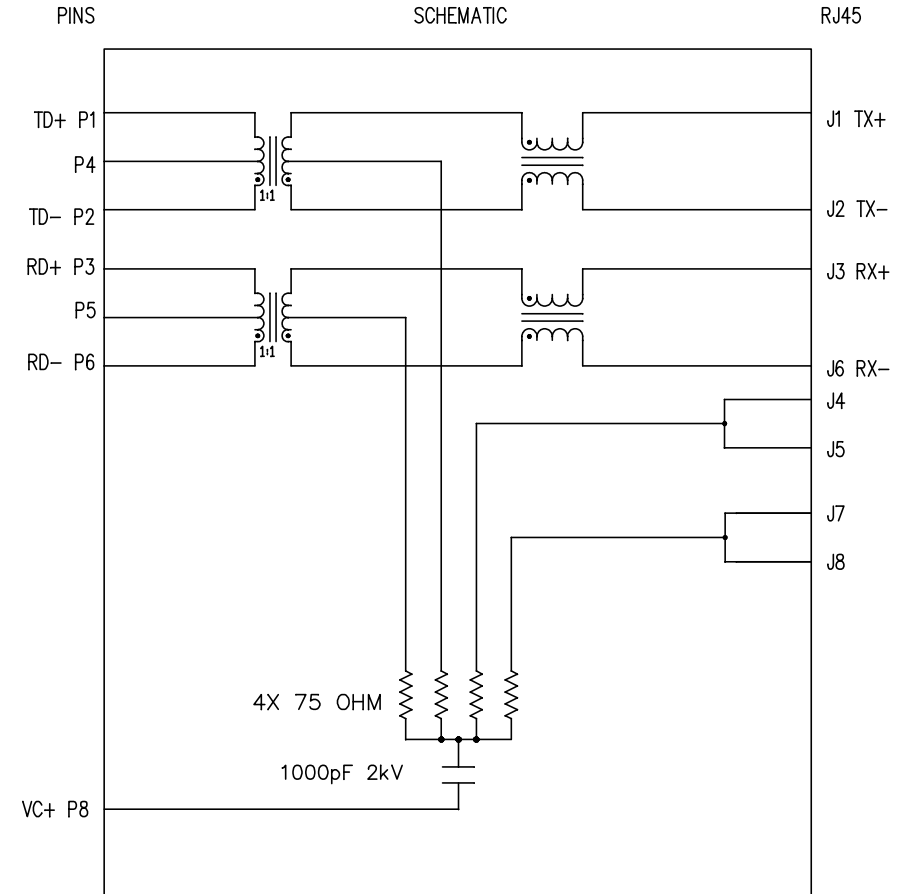
THE INFORMATION CONTAINED HEREIN IS CONSIDERED "PROPRIETARY" TO BEL FUSE INC. AND SHALL NOT BE COPIED, REPRODUCED OR DISCLOSED WITHOUT THE WRITTEN APPROVAL OF BEL FUSE INC.

RoHS  
2002/95/EC



### ELECTRICAL CHARACTERISTICS @ 25°C

- 1.0 TURNS RATIO: (P3-P5-P6) : (J3-J6) : 1CT : 1CT ± 3%  
(P1-P4-P2) : (J1-J2) : 1CT : 1CT ± 3%
- 2.0 DC RESISTANCE: (J6-J3)=(J2-J1) : 1.2 ohms Max.
- 3.0 INDUCTANCE: (P1-P2) : 350uH MIN. @ 0.1V,100KHz, 8mA DC Bias  
(P3-P6) : 350uH MIN. @ 0.1V,100KHz, 8mA DC Bias
- 4.0 RETURN LOSS: (P6-P4)=100 OHMS AND (P1-P2)=100 OHM REF.  
1MHz TO 30MHz : -18dB MIN.  
60MHz TO 80MHz : -12dB MIN.  
NOTE: 100 OHMS CONNECTED TO (J2-J1) OR (J6-J3).
- 5.0 INSERTION LOSS: RS=RL=100 ohms  
100KHz TO 100MHz : -1.1 dB TYP
- 6.0 CROSS TALK: 1MHz TO 100MHz : -40 dB TYP.
- 7.0 DIELECTRIC WITHSTAND: (J1, J2) TO (P1, P2) : 1500 Vrms  
(J3, J6) TO (P3, P6) : 1500 Vrms
- 8.0 LEAKAGE INDUCTANCE: P6-P3 (WITH J6 AND J3 SHORT) : 0.3uH MAX. @ 1MHz  
P2-P1 (WITH J2 AND J1 SHORT) : 0.3uH MAX. @ 1MHz
- 9.0 INTERWINDING CAPACITANCE: (P6,P5,P3) TO (J6,J3) : 45pF MAX @ 1MHz  
(P2,P4,P1) TO (J2,J1) : 45pF MAX @ 1MHz
- 10.0 RISE TIME: RS=100 OHMS AND RL = 100 OHMS  
OUTPUT VOLTAGE = 1 V peak : 3.0 nS MAX  
PULSE WIDTH= 112nS : 3.0 nS MAX
- 11.0 COMMON TO COMMON MODE ATTENUATION:  
30MHz TO 100MHz : -35dB TYP
- 12.0 OPERATING TEMPERATURE : -40°C TO 85°C

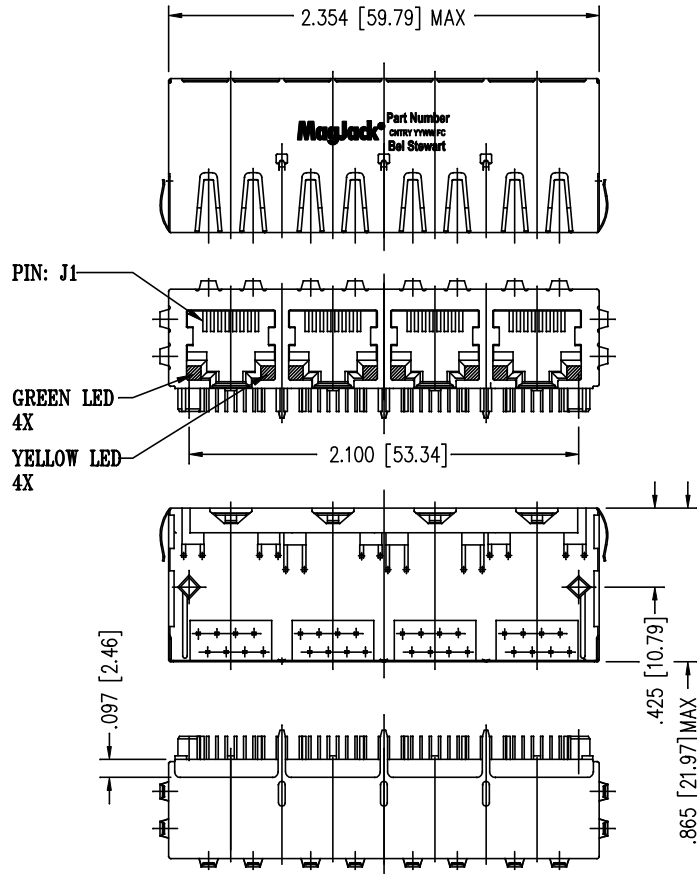


NOTES 1.0 PINS WITHOUT ELECTRICAL CONNECTION ARE OMITTED.

ORIGINATED BY	DATE	TITLE	PART NO. / DRAWING NO.	STANDARD DIM. TOL. IN INCH	[ ] METRIC DIM. AS REFERENCE	 COMPONENTS FOR A CONNECTED PLANET
Bain Liu	03-13-09	<b>MagJack®</b> 10/100BT TAB DOWN, SHIELDED	SI-60229-F	.X	UNIT : INCH [mm]	
DRAWN BY	DATE		FILE NAME	.XX	SCALE : N/A	
LW Yuan	03-13-09		SI-60229-F.DWG	.XXX	±0.005	
						SIZE : A4
						PAGE : 2

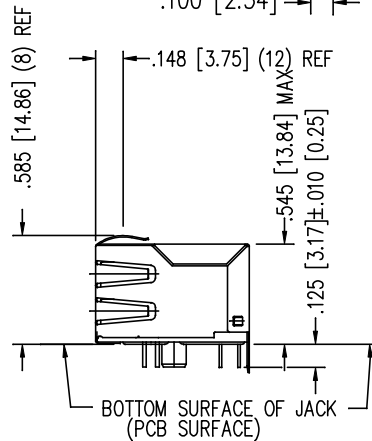
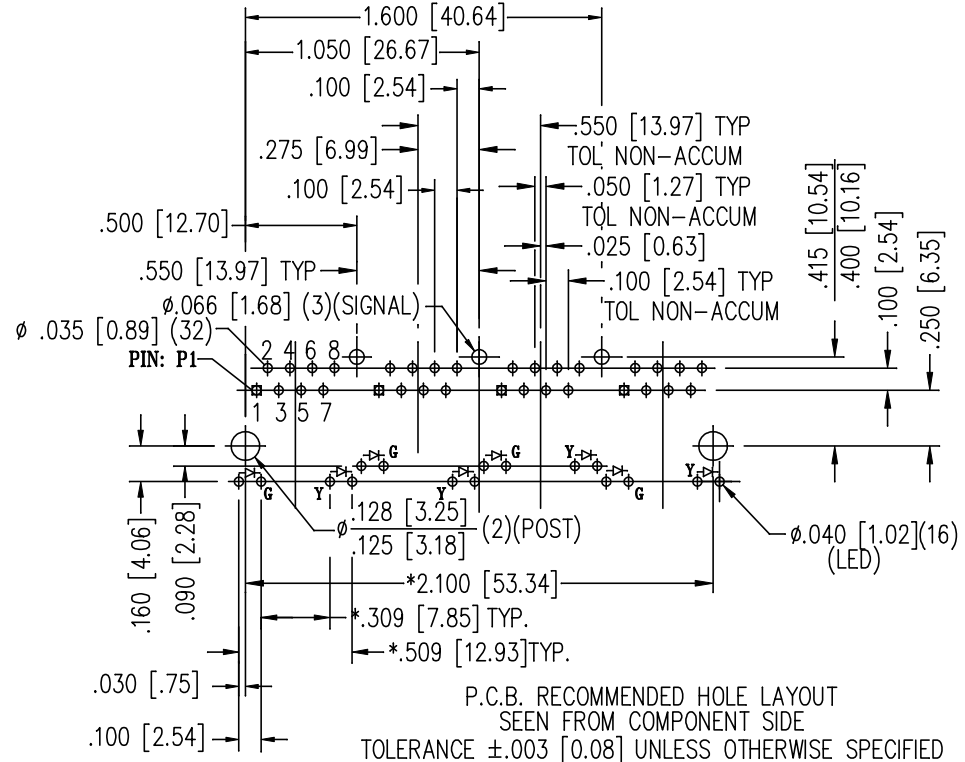
THE INFORMATION CONTAINED HEREIN IS CONSIDERED "PROPRIETARY" TO BEL FUSE INC. AND SHALL NOT BE COPIED, REPRODUCED OR DISCLOSED WITHOUT THE WRITTEN APPROVAL OF BEL FUSE INC.

RoHS  
2002/95/EC



STANDARD LED	WAVELENGTH	FORWARD V (MAX)	* (TYP)
YELLOW	590 nm	2.5 V	2.1 V
GREEN	565 nm	2.5 V	2.2 V

\* WITH A FORWARD CURRENT OF 20 mA (TYP)



NOTES:

- CONNECTOR MATERIALS:  
HOUSING: THERMOPLASTIC UL94 V-0  
CONTACT/SHIELD: COPPER ALLOY  
SHIELD PLATING: NICKEL OR TIN  
CONTACT PLATING: SELECTIVE GOLD,  
50 MICRO-INCHES MIN. IN CONTACT AREA.
- PIN NOT ELECTRICALLY CONNECTED MAYBE OMITTED.  
SEE ELECTRICAL DRAWING FOR OMITTED PINS.
- TOLERANCES COMPLY WITH F.C.C. DIMENSION REQUIREMENTS.
- ALL TOLERANCES NOT OTHERWISE SPECIFIED TO BE  $\pm$ .005 [0.13]
- WAVE SOLDER COMPATIBLE - PREHEAT 125°C/90SECS.
- DIMENSIONS SHOWN WITH "\*" TO BE CENTRAL ABOUT CENTER LINE

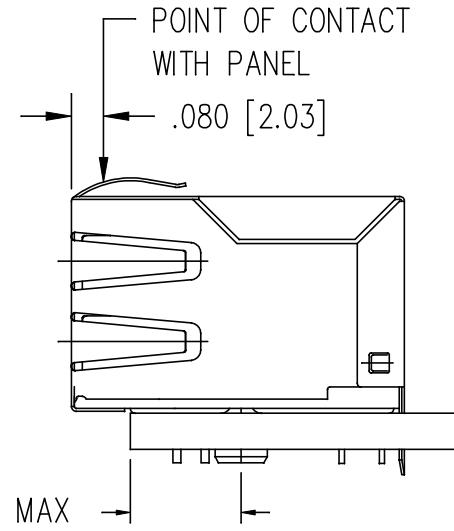
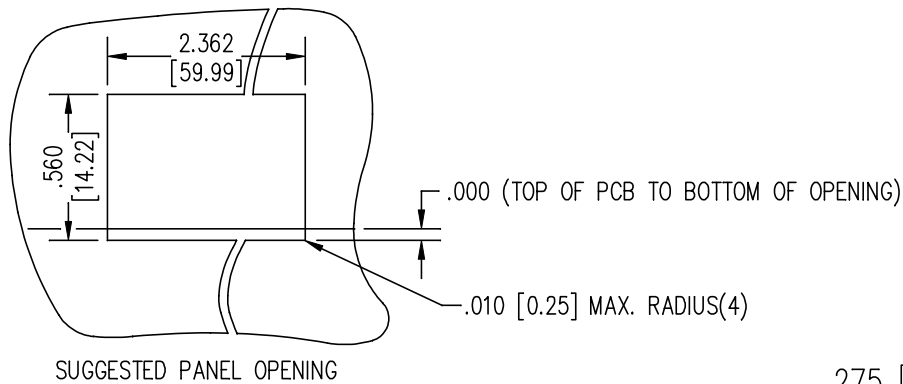
ORIGINATED BY	DATE	TITLE
Bain Liu	03-13-09	<b>MagJack</b> 10/100BT TAB DOWN, SHIELDED
DRAWN BY	DATE	
LW Yuan	03-13-09	

PART NO. / DRAWING NO.	STANDARD DIM.	[ ] METRIC DIM. AS REFERENCE
SI-60229-F	TOL. IN INCH	UNIT : INCH [mm] REV. : 02
FILE NAME	.X	SCALE : N/A SIZE : A4
SI-60229-F.DWG	.XX	PAGE : 3
	.XXX $\pm$ 0.005	



THE INFORMATION CONTAINED HEREIN IS CONSIDERED "PROPRIETARY" TO BEL FUSE INC. AND SHALL NOT BE COPIED, REPRODUCED OR DISCLOSED WITHOUT THE WRITTEN APPROVAL OF BEL FUSE INC.

RoHS  
2002/95/EC



1. THE SUGGESTED PANEL OPENING IS INTENDED TO GIVE THE USER THE ABILITY TO HAVE REASONABLE JACK / PANEL CLEARANCES YET MAINTAIN RELIABLE GROUNDING CAPABILITY.
2. ALL TOLERANCES NOT OTHERWISE SPECIFIED TO BE  $\pm 0.005$  [0.13]

ORIGINATED BY	DATE	TITLE	PART NO. / DRAWING NO.	STANDARD DIM. TOL. IN INCH	[ ] METRIC DIM. AS REFERENCE
Bain Liu	03-13-09	<b>MagJack®</b> 10/100BT TAB DOWN, SHIELDED	SI-60229-F	.X	UNIT : INCH [mm] REV. : 02
DRAWN BY	DATE		FILE NAME	.XX	SCALE : N/A SIZE : A4
LW Yuan	03-13-09		SI-60229-F.DWG	.XXX	±0.005

