

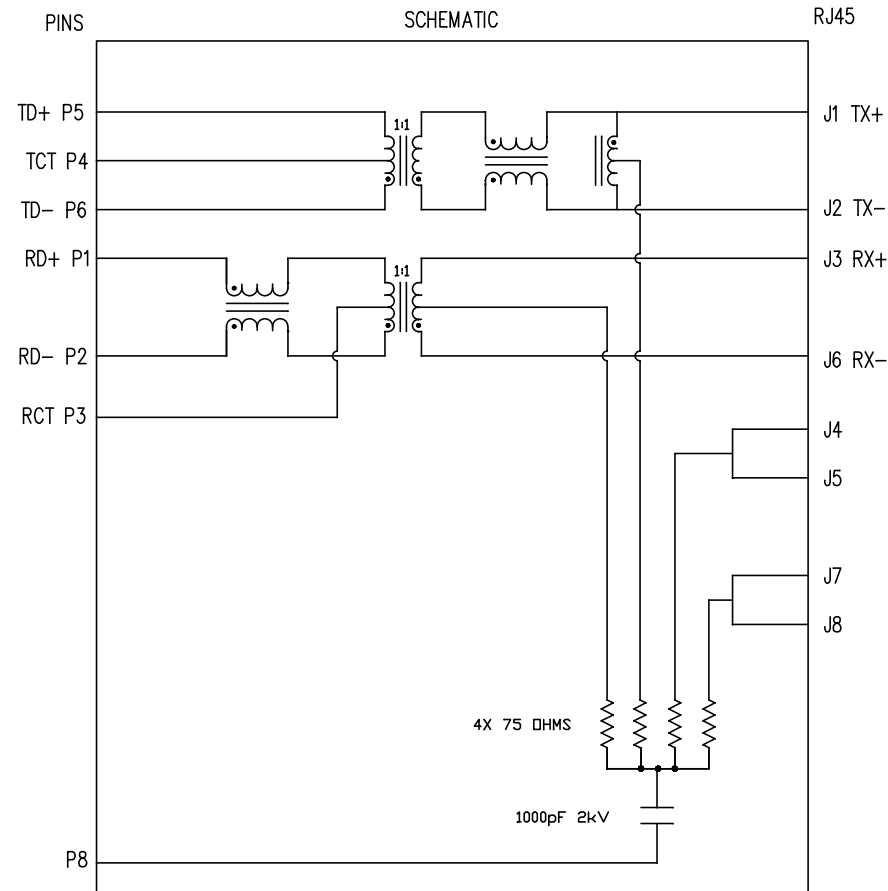
THE INFORMATION CONTAINED HEREIN IS CONSIDERED "PROPRIETARY" TO BEL FUSE INC. AND SHALL NOT BE COPIED, REPRODUCED OR DISCLOSED WITHOUT THE WRITTEN APPROVAL OF BEL FUSE INC.

RoHS
2002/95/EC



ELECTRICAL CHARACTERISTICS @ 25°C

- 1.0 TURNS RATIO: (P2-P3-P1) : (J6-J3) : 1CT : 1CT ± 3%
(P6-P4-P5) : (J2-J1) : 1CT : 1CT ± 3%
- 2.0 INDUCTANCE: (P6-P5) : 350uH MIN. @ 0.1V, 100KHz, 8mA DC Bias
(J6-J3) : 350uH MIN. @ 0.1V, 100KHz, 8mA DC Bias
- 3.0 LEAKAGE INDUCTANCE: P6-P5 (WITH J2 AND J1 SHORT) : 0.3uH MAX. @ 1MHz
P2-P1 (WITH J6 AND J3 SHORT) : 0.3uH MAX. @ 1MHz
- 4.0 INTERWINDING CAPACITANCE: (P2,P3,P1) TO (J6,J3) : 25pF MAX @ 1MHz
(P6,P4,P5) TO (J2,J1) : 25pF MAX. @ 1MHz
- 5.0 DC RESISTANCE: (P2-P1) : 1.2 ohms Max.
(J2-J1) : 1.2 ohms Max.
- 6.0 RETURN LOSS: (P6-P4)=100 OHMS AND (P1-P3)=100 OHM REF.
1MHz TO 30MHz : -18dB MIN.
60MHz TO 80MHz : -12dB MIN.
- NOTE: 100 OHMS CONNECTED TO (J2-J1) OR (J6-J3).
- 7.0 DIELECTRIC WITHSTAND: (J1, J2) TO (P6, P5) : 1500 Vrms
(J3, J6) TO (P2, P1) : 1500 Vrms
- 8.0 INSERTION LOSS: RS=RL=100 ohms : -1.1 dB TYP
100KHz TO 100MHz
- 9.0 RISE TIME: RS=100 OHMS AND RL = 100 OHMS : 3.0 nS MAX
OUTPUT VOLTAGE = 1 V peak : 3.0 nS MAX
PULSE WIDTH= 112nS
- 10.0 CROSS TALK: 1MHz TO 100MHz : -35 dB TYP
- 11.0 COMMON TO COMMON MODE ATTENUATION: 1MHz TO 100MHz : -45 dB TYP



ORIGINATED BY	DATE	TITLE	PART NO. / DRAWING NO.	STANDARD DIM.	[] METRIC DIM. AS REFERENCE		 <small>COMPONENTS FOR A CONNECTED PLANET</small>
Bain Liu	08-31-09	MagJack® 10/100BT TAB DOWN, SHIELDED PATENTED	SI-60076-F	TOL. IN INCH	UNIT : INCH [mm]	REV. : A0	
DRAWN BY	DATE		FILE NAME	.X	SCALE : N/A	SIZE : A4	
Bain Liu	08-31-09		SI-60076-F.DWG	.XX		PAGE : 2	
				.XXX		±0.005	

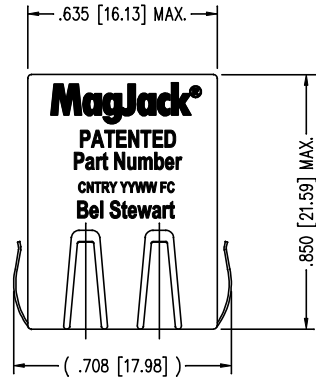
THE INFORMATION CONTAINED HEREIN IS CONSIDERED "PROPRIETARY" TO BEL FUSE INC. AND SHALL NOT BE COPIED, REPRODUCED OR DISCLOSED WITHOUT THE WRITTEN APPROVAL OF BEL FUSE INC.

RoHS
2002/95/EC

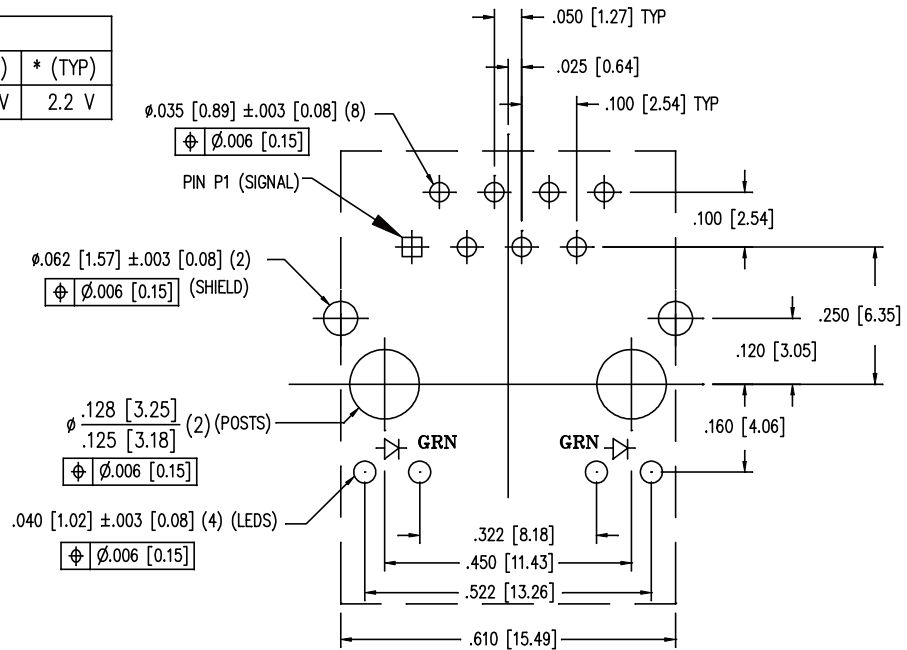


LED SPECIFICATION			
STANDARD LED	WAVELENGTH	Forward V (MAX)	* (TYP)
GREEN	565 nm	2.5 V	2.2 V

*WITH A FORWARD CURRENT OF 20 mA (TYP)



MagJack
PATENTED
Part Number
CNTRY YYWW FC
Bel Stewart

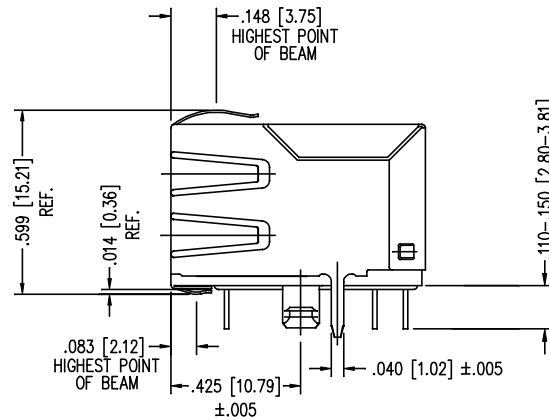
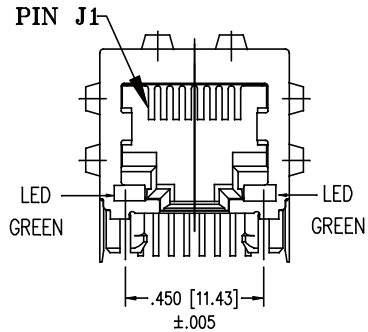


P.C.B. RECOMMENDED HOLE LAYOUT
SEEN FROM COMPONENT SIDE

ALL CENTERLINE DIMENSIONS ARE BASIC.

NOTES:

- CONNECTOR MATERIALS:
HOUSING: THERMOPLASTIC UL94 V-0
CONTACT/SHIELD: COPPER ALLOY
SHIELD PLATING: NICKEL OR TIN
CONTACT PLATING: SELECTIVE GOLD,
50 MICRO-INCHES MIN. IN CONTACT AREA.
- PIN NOT ELECTRICALLY CONNECTED MAYBE OMITTED.
SEE ELECTRICAL DRAWING FOR OMITTED PINS.
- TOLERANCES COMPLY WITH F.C.C. DIMENSION REQUIREMENTS.
- ALL TOLERANCES NOT OTHERWISE SPECIFIED TO BE ±0.005 [0.13]
- WAVE SOLDER COMPATIBLE - PREHEAT 125°C/90SECS.



ORIGINATED BY	DATE
Bain Liu	08-31-09
DRAWN BY	DATE
Bain Liu	08-31-09

TITLE
MagJack 10/100BT TAB DOWN, SHIELDED PATENTED

PART NO. / DRAWING NO.
SI-60076-F
FILE NAME
SI-60076-F.DWG

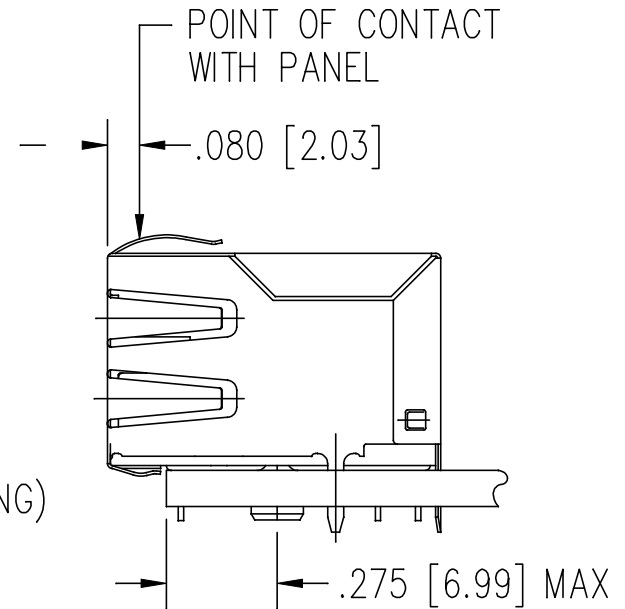
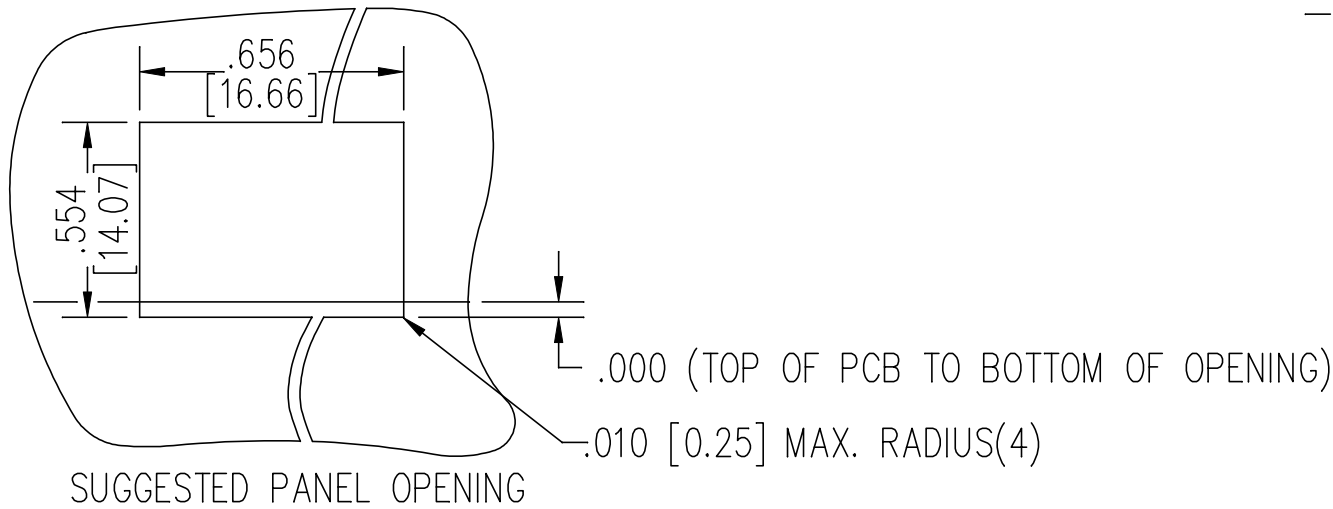
STANDARD DIM.	[] METRIC DIM. AS REFERENCE
TOL. IN INCH	UNIT : INCH [mm]
.X	REV. : A0
.XX	SCALE : N/A
.XXX	SIZE : A4
±0.005	PAGE : 3

[] METRIC DIM. AS REFERENCE
UNIT : INCH [mm]
REV. : A0
SCALE : N/A
SIZE : A4
PAGE : 3



THE INFORMATION CONTAINED HEREIN IS CONSIDERED "PROPRIETARY" TO BEL FUSE INC. AND SHALL NOT BE COPIED, REPRODUCED OR DISCLOSED WITHOUT THE WRITTEN APPROVAL OF BEL FUSE INC.

RoHS
2002/95/EC



1. THE SUGGESTED PANEL OPENING IS INTENDED TO GIVE THE USER THE ABILITY TO HAVE REASONABLE JACK / PANEL CLEARANCES YET MAINTAIN RELIABLE GROUNDING CAPABILITY.
2. ALL TOLERANCES NOT OTHERWISE SPECIFIED TO BE ± 0.005 [0.13]

ORIGINATED BY Bain Liu	DATE 08-31-09	TITLE MagJack® 10/100BT TAB DOWN, SHIELDED PATENTED	PART NO. / DRAWING NO. SI-60076-F	STANDARD DIM. TOL. IN INCH	[] METRIC DIM. AS REFERENCE	bel COMPONENTS FOR A CONNECTED PLANET
DRAWN BY Bain Liu	DATE 08-31-09	FILE NAME SI-60076-F.DWG	.X	UNIT : INCH [mm]	REV. : A0	
			.XX	SCALE : N/A	SIZE : A4	
			.XXX	± 0.005	PAGE : 4	