

THE INFORMATION CONTAINED HEREIN IS CONSIDERED "PROPRIETARY" TO BEL FUSE INC. AND SHALL NOT BE COPIED, REPRODUCED OR DISCLOSED WITHOUT THE WRITTEN APPROVAL OF BEL FUSE INC.

PRELIMINARY

RoHS
2002/95/EC



ELECTRICAL CHARACTERISTICS @ 25°C

1.0 INDUCTANCE:
 (P9-P8) : 350uH MIN. @ 0.1V, 100KHz, 8mA DC BIAS
 (P7-P6) : 350uH MIN. @ 0.1V, 100KHz, 8mA DC BIAS
 (P5-P4) : 350uH MIN. @ 0.1V, 100KHz, 8mA DC BIAS
 (P3-P2) : 350uH MIN. @ 0.1V, 100KHz, 8mA DC BIAS

2.0 TURNS RATIO:
 (P9-P8):(J1-J2) : 1CT : 1CT ± 2%
 (P7-P6):(J3-J6) : 1CT : 1CT ± 2%
 (P5-P4):(J4-J5) : 1CT : 1CT ± 2%
 (P3-P2):(J7-J8) : 1CT : 1CT ± 2%

3.0 RETURN LOSS: 100 OHM REF.
 500kHz TO 40MHz : -18dB MIN.
 40MHz TO 100MHz : -12+20LOG(f/80MHz) MIN.

4.0 INSERTION LOSS: RS=RL=100 OHMS
 100kHz TO 100MHz : -1.2dB MAX.

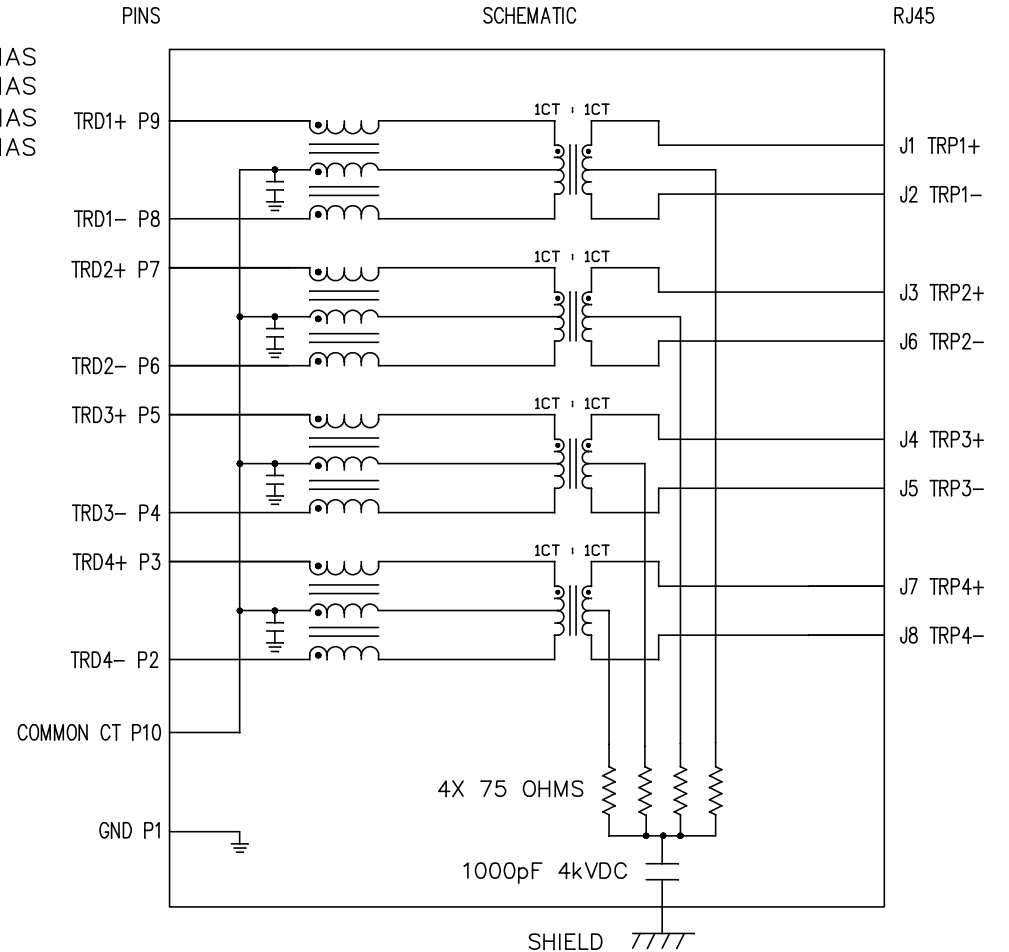
5.0 CROSS TALK: Ch1-Ch2, Ch1-Ch3, Ch1-Ch4, Ch2-Ch3, Ch2-Ch4, Ch3-Ch4
 1MHz TO 30MHz : -35dB MIN.
 30MHz TO 80MHz : -24dB MIN.
 80MHz TO 100MHz : -25dB MIN.

6.0 CM TO CM REJECTION:
 100kHz TO 100MHz : -30dB MIN.

7.0 CM TO DM REJECTION:
 100kHz TO 100MHz : -35dB MIN.

8.0 VOLTAGE WITHSTAND:
 (J1,J2) TO (P9,P8) : 1500Vrms
 (J3,J6) TO (P7,P6) : 1500Vrms
 (J4,J5) TO (P5,P4) : 1500Vrms
 (J7,J8) TO (P3,P2) : 1500Vrms

9.0 THIS COMPONENT IS A PATENT PRODUCT;US PATENT NUMBER 7,123,117.



ORIGINATED BY	DATE	TITLE
ZL Wang	08-25-10	MagJack® 10/100/1000BT TAB UP SHIELDED PATENTED
DRAWN BY	DATE	
RS Zhang	08-25-10	

PART NO. / DRAWING NO.	STANDARD DIM.
SI-51031-F	TOL. IN INCH
FILE NAME	
SI-51031-F.DWG	

[] METRIC DIM. AS REFERENCE	
UNIT : INCH [mm]	REV. : X0
SCALE : N/A	SIZE : A4
	PAGE : 2

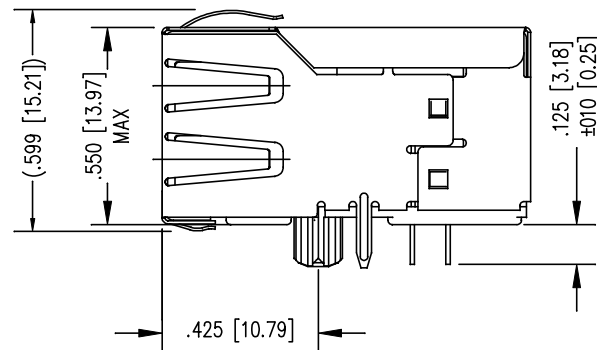
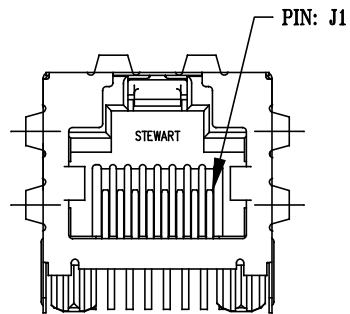
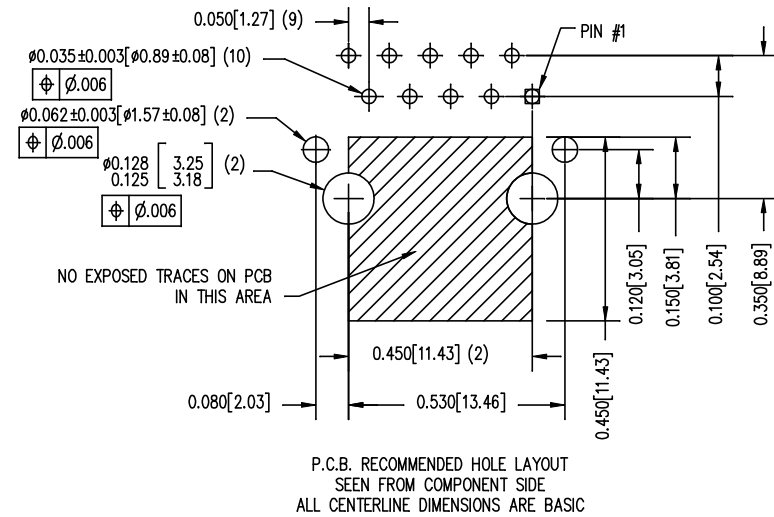
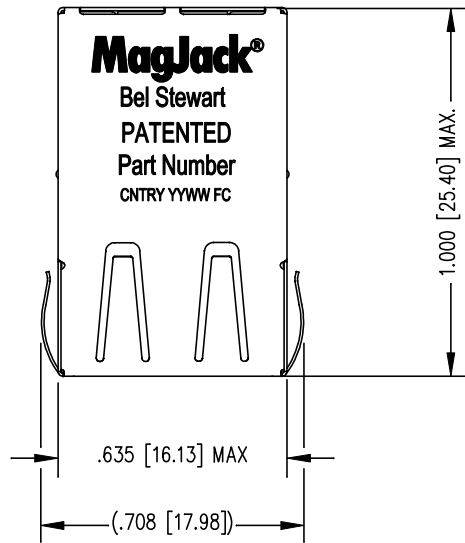


THE INFORMATION CONTAINED HEREIN IS CONSIDERED "PROPRIETARY" TO BEL FUSE INC. AND SHALL NOT BE COPIED, REPRODUCED OR DISCLOSED WITHOUT THE WRITTEN APPROVAL OF BEL FUSE INC.

RoHS
2002/95/EC



PRELIMINARY



NOTES:

- CONNECTOR MATERIALS:
HOUSING: THERMOPLASTIC UL94 V-0
CONTACT/SHIELD: COPPER ALLOY
SHIELD PLATING: NICKEL OR TIN
CONTACT PLATING: SELECTIVE GOLD,
50 MICRO-INCHES MIN. IN CONTACT AREA.
- PIN NOT ELECTRICALLY CONNECTED MAYBE OMITTED.
SEE ELECTRICAL DRAWING FOR OMITTED PINS.
- TOLERANCES COMPLY WITH F.C.C. DIMENSION REQUIREMENTS.
- ALL TOLERANCES NOT OTHERWISE SPECIFIED TO BE ±0.005 [0.13]
- WAVE SOLDER COMPATIBLE - PREHEAT 125° C/90SECS.
HIGH TEMPERATURE REFLOW COMPATIBLE - 230° C/90 SEC MAX.

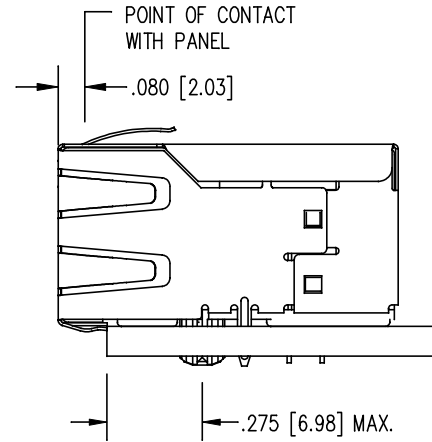
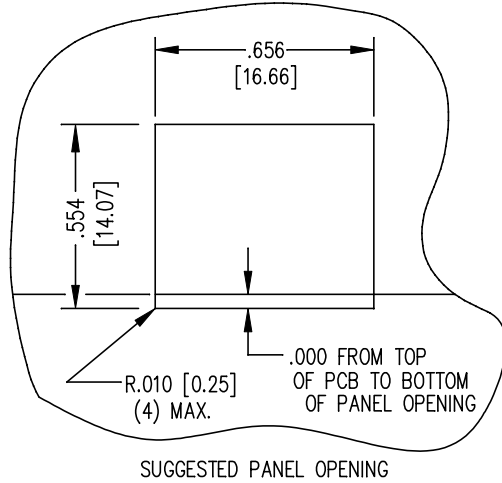
ORIGINATED BY	DATE	TITLE	PART NO. / DRAWING NO.	STANDARD DIM.	[] METRIC DIM. AS REFERENCE	
ZL Wang	08-25-10	MagJack® 10/100/1000BT TAB UP SHIELDED PATENTED	SI-51031-F	TOL. IN INCH	UNIT : INCH [mm]	REV. : X0
DRAWN BY	DATE		FILE NAME	.X	SCALE : N/A	SIZE : A4
RS Zhang	08-25-10		SI-51031-F.DWG	.XX		
				.XXX	±0.005	PAGE : 3



THE INFORMATION CONTAINED HEREIN IS CONSIDERED "PROPRIETARY" TO BEL FUSE INC. AND SHALL NOT BE COPIED, REPRODUCED OR DISCLOSED WITHOUT THE WRITTEN APPROVAL OF BEL FUSE INC.

PRELIMINARY

RoHS
2002/95/EC



1. THE SUGGESTED PANEL OPENING IS INTENDED TO GIVE THE USER THE ABILITY TO HAVE REASONABLE JACK / PANEL CLEARANCES YET MAINTAIN RELIABLE GROUNDING CAPABILITY.
2. ALL TOLERANCES NOT OTHERWISE SPECIFIED TO BE ± 0.005 [0.13]

ORIGINATED BY	DATE	TITLE	PART NO. / DRAWING NO.	STANDARD DIM.	[] METRIC DIM. AS REFERENCE	
ZL Wang	08-25-10	MagJack® 10/100/1000BT TAB UP SHIELDED PATENTED	SI-51031-F	TOL. IN INCH	UNIT : INCH [mm]	REV. : X0
DRAWN BY	DATE		FILE NAME	.X	SCALE : N/A	SIZE : A4
RS Zhang	08-25-10		SI-51031-F.DWG	.XX		
				.XXX	±0.005	

