

THE INFORMATION CONTAINED HEREIN IS CONSIDERED "PROPRIETARY" TO BEL FUSE INC. AND SHALL NOT BE COPIED, REPRODUCED OR DISCLOSED WITHOUT THE WRITTEN APPROVAL OF BEL FUSE INC.

RoHS
2002/95/EC



ELECTRICAL CHARACTERISTICS @ 25°C

1.0 INDUCTANCE:
 (P2-P3) : 350uH MIN. @ 0.1V, 100KHz, 8mA DC BIAS
 (P4-P5) : 350uH MIN. @ 0.1V, 100KHz, 8mA DC BIAS
 (P7-P8) : 350uH MIN. @ 0.1V, 100KHz, 8mA DC BIAS
 (P9-P10) : 350uH MIN. @ 0.1V, 100KHz, 8mA DC BIAS

2.0 TURNS RATIO:
 (P2-P3):(J1-J2) : 1CT : 1CT ± 2%
 (P4-P5):(J3-J6) : 1CT : 1CT ± 2%
 (P7-P8):(J4-J5) : 1CT : 1CT ± 2%
 (P9-P10):(J7-J8) : 1CT : 1CT ± 2%

3.0 RETURN LOSS: 100 OHM REF.
 500kHz TO 40MHz : -18dB MIN.
 40MHz TO 100MHz : -12+20LOG(f/80MHz) MIN.

4.0 INSERTION LOSS: RS=RL=100 OHMS
 100kHz TO 100MHz : -1.2dB MAX.

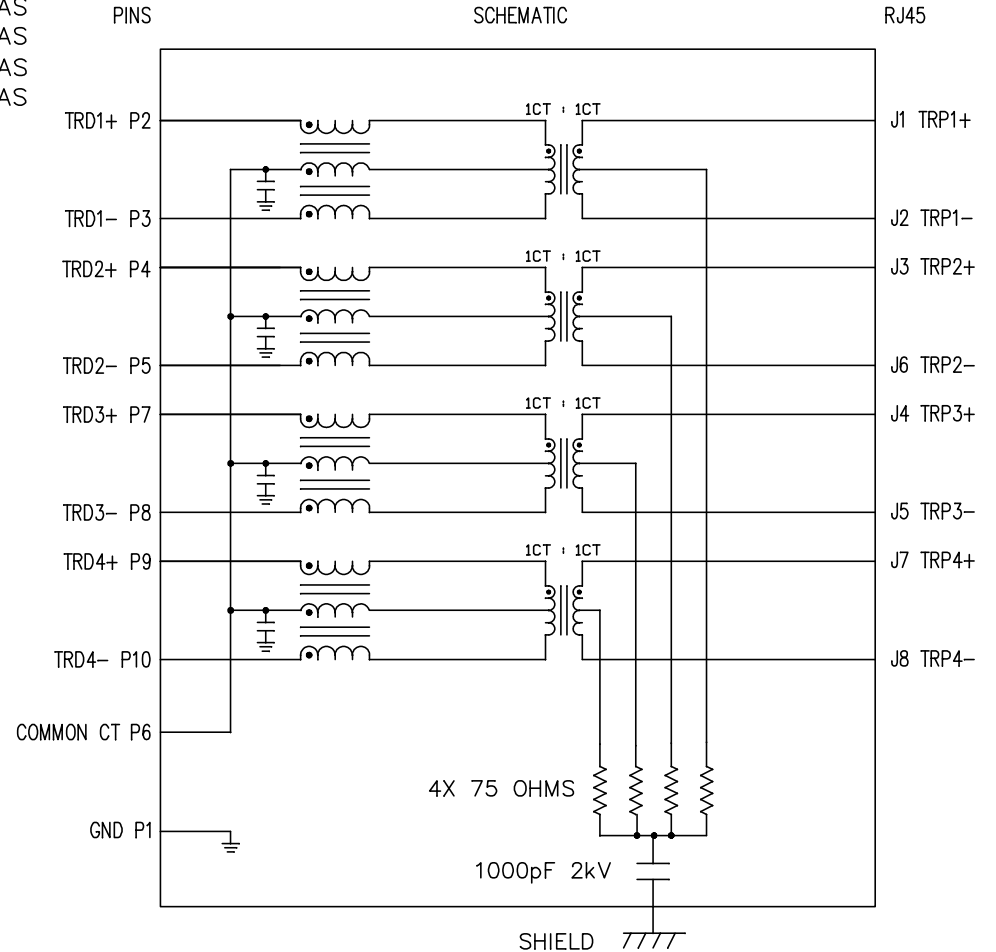
5.0 CROSS TALK: Ch1-Ch2, Ch1-Ch3, Ch1-Ch4, Ch2-Ch3, Ch2-Ch4, Ch3-Ch4
 1MHz TO 30MHz : -35dB MIN.
 30MHz TO 80MHz : -24dB MIN.
 80MHz TO 100MHz : -25dB MIN.

6.0 CM TO CM REJECTION:
 100kHz TO 100MHz : -30dB MIN.

7.0 CM TO DM REJECTION:
 100kHz TO 100MHz : -35dB MIN.

8.0 VOLTAGE WITHSTAND:
 (J1,J2) TO (P2,P3) : 1500Vrms
 (J3,J6) TO (P4,P5) : 1500Vrms
 (J4,J5) TO (P7,P8) : 1500Vrms
 (J7,J8) TO (P9,P10) : 1500Vrms

9.0 THIS COMPONENT IS A PATENT PRODUCT;US PATENT NUMBER 7,123,117.



ORIGINATED BY	DATE
Zeng Xiao Chun	03-22-2011
DRAWN BY	DATE
Zhang Ru Sheng	03-22-2011

TITLE	MagJack® 10/100/1000BT TAB UP SHIELDED PATENTED
-------	---

PART NO. / DRAWING NO.	SI-51006-F
FILE NAME	SI-51006-F.DWG

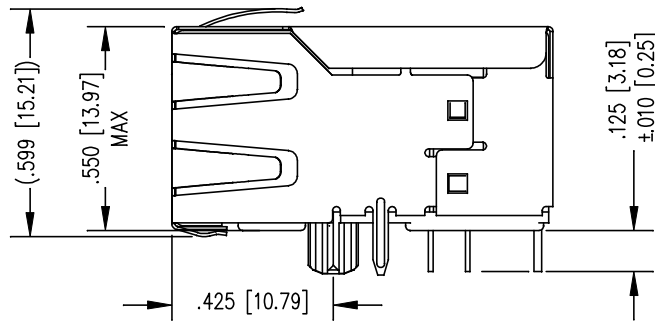
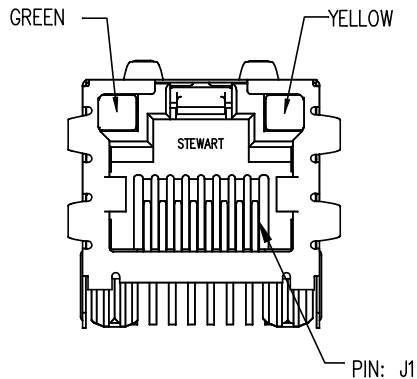
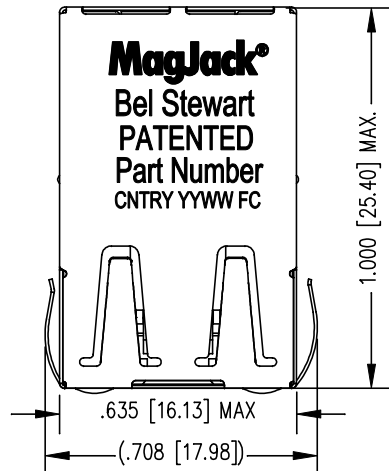
STANDARD DIM.	[] METRIC DIM. AS REFERENCE
TOL. IN INCH	UNIT : INCH [mm]
.X	SCALE : N/A
.XX	REV. : A1
.XXX	SIZE : A4
±0.005	PAGE : 2

UNIT : INCH [mm]	REV. : A1
SCALE : N/A	SIZE : A4
PAGE : 2	



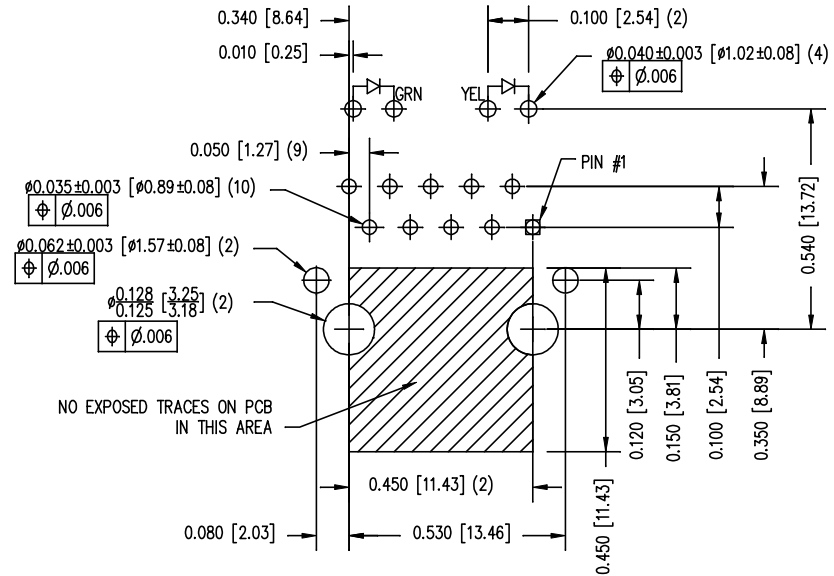
THE INFORMATION CONTAINED HEREIN IS CONSIDERED "PROPRIETARY" TO BEL FUSE INC. AND SHALL NOT BE COPIED, REPRODUCED OR DISCLOSED WITHOUT THE WRITTEN APPROVAL OF BEL FUSE INC.

RoHS
2002/95/EC



LED SPECIFICATION			
STANDARD LED	WAVELENGTH	* Forward V (MAX)	(TYP)
GREEN	565 nm	2.5 V	2.1 V
YELLOW	590 nm	2.5 V	2.1 V

*WITH A FORWARD CURRENT OF 20 mA



P.C.B. RECOMMENDED HOLE LAYOUT
SEEN FROM COMPONENT SIDE
ALL CENTERLINE DIMENSIONS ARE BASIC

NOTES:

- CONNECTOR MATERIALS:
HOUSING: THERMOPLASTIC UL94 V-0
CONTACT/SHIELD: COPPER ALLOY
SHIELD PLATING: NICKEL OR TIN
CONTACT PLATING: SELECTIVE GOLD,
50 MICRO-INCHES MIN. IN CONTACT AREA.
- PIN NOT ELECTRICALLY CONNECTED MAYBE OMITTED.
SEE ELECTRICAL DRAWING FOR OMITTED PINS.
- TOLERANCES COMPLY WITH F.C.C. DIMENSION REQUIREMENTS.
- THE SUGGESTED PANEL OPENING IS INTENDED TO GIVE USER THE ABILITY TO HAVE REASONABLE JACK/PANEL CLEARANCES, YET MAINTAIN GROUNDING CAPABILITY.
- WAVE SOLDER COMPATIBLE - PREHEAT 125°C/90SECS.
HIGH TEMPERATURE REFLOW COMPATIBLE - 230°C/90 SEC MAX.

ORIGINATED BY	DATE
Zeng Xiao Chun	03-22-2011
DRAWN BY	DATE
Zhang Ru Sheng	03-22-2011

TITLE	MagJack® 100/100/1000BT TAB UP SHIELDED PATENTED
-------	--

PART NO. / DRAWING NO.	SI-51006-F
FILE NAME	SI-51006-F.DWG

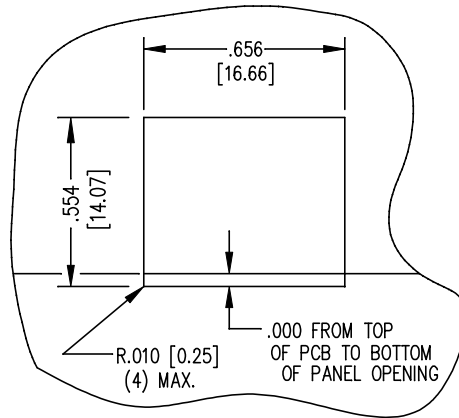
STANDARD DIM.	[] METRIC DIM. AS REFERENCE
TOL. IN INCH	UNIT : INCH [mm]
.X	SCALE : N/A
.XX	REV. : A1
.XXX	SIZE : A4
±0.005	PAGE : 3

UNIT : INCH [mm]	REV. : A1
SCALE : N/A	SIZE : A4
PAGE : 3	

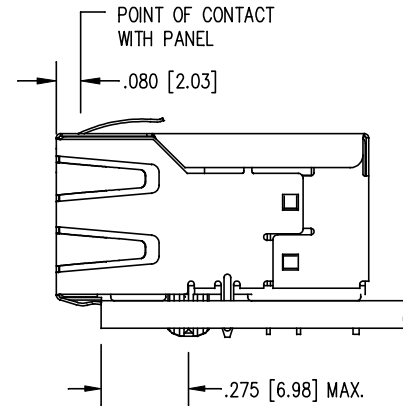


THE INFORMATION CONTAINED HEREIN IS CONSIDERED "PROPRIETARY" TO BEL FUSE INC. AND SHALL NOT BE COPIED, REPRODUCED OR DISCLOSED WITHOUT THE WRITTEN APPROVAL OF BEL FUSE INC.

RoHS
2002/95/EC



SUGGESTED PANEL OPENING



ORIGINATED BY	DATE
Zeng Xiao Chun	03-22-2011
DRAWN BY	DATE
Zhang Ru Sheng	03-22-2011

TITLE
MagJack® 100/100/1000BT TAB UP SHIELDED PATENTED

PART NO. / DRAWING NO.
SI-51006-F
FILE NAME
SI-51006-F.DWG

STANDARD DIM.	
TOL. IN INCH	
.X	
.XX	
.XXX	±0.005

[] METRIC DIM. AS REFERENCE	
UNIT : INCH [mm]	REV. : A1
SCALE : N/A	SIZE : A4
	PAGE : 4

