

THE INFORMATION CONTAINED HEREIN IS CONSIDERED "PROPRIETARY" TO BEL FUSE INC. AND SHALL NOT BE COPIED, REPRODUCED OR DISCLOSED WITHOUT THE WRITTEN APPROVAL OF BEL FUSE INC.

RoHS
2002/95/EC



ELECTRICAL CHARACTERISTICS @ 25°C

1.0 INDUCTANCE:

(P2-P3)	350uH MIN. @ 0.1V, 100KHz, 8mA DC BIAS
(P4-P5)	350uH MIN. @ 0.1V, 100KHz, 8mA DC BIAS
(P7-P8)	350uH MIN. @ 0.1V, 100KHz, 8mA DC BIAS
(P9-P10)	350uH MIN. @ 0.1V, 100KHz, 8mA DC BIAS

2.0 TURNS RATIO:

(P2-P3):(J1-J2)	1CT : 1CT ± 2%
(P4-P5):(J3-J6)	1CT : 1CT ± 2%
(P7-P8):(J4-J5)	1CT : 1CT ± 2%
(P9-P10):(J7-J8)	1CT : 1CT ± 2%

3.0 RETURN LOSS: 100 OHM REF.

500kHz TO 40MHz	-18dB MIN.
40MHz TO 100MHz	-12+20LOG(f/80MHz) MIN.

4.0 INSERTION LOSS: RS=RL=100 OHMS

100kHz TO 100MHz	-1.2dB MAX.
------------------	-------------

5.0 CROSS TALK: Ch1-Ch2, Ch1-Ch3, Ch1-Ch4, Ch2-Ch3, Ch2-Ch4, Ch3-Ch4

1MHz TO 30MHz	-35dB MIN.
30MHz TO 80MHz	-24dB MIN.
80MHz TO 100MHz	-25dB MIN.

6.0 CM TO CM REJECTION:

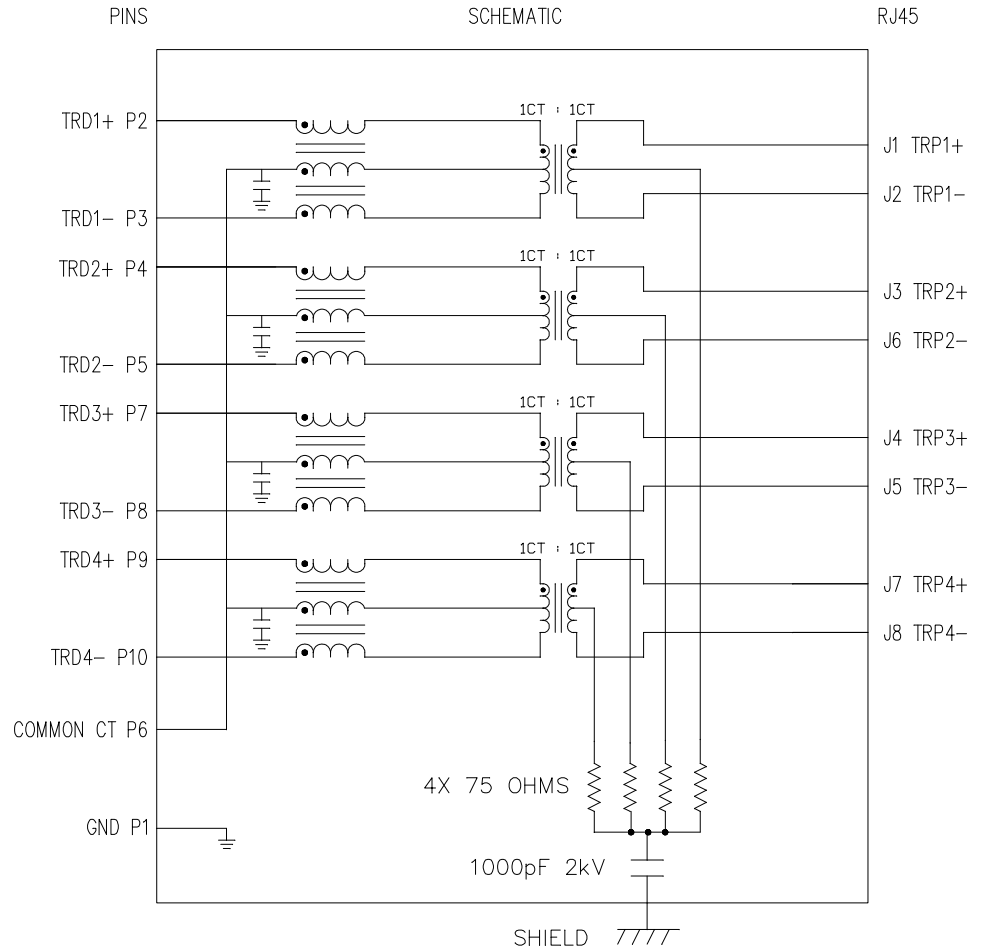
100kHz TO 100MHz	-30dB MIN.
------------------	------------

7.0 CM TO DM REJECTION:

100kHz TO 100MHz	-35dB MIN.
------------------	------------

8.0 VOLTAGE WITHSTAND:

(J1,J2) TO (P2,P3)	1500Vrms
(J3,J6) TO (P4,P5)	1500Vrms
(J4,J5) TO (P7,P8)	1500Vrms
(J7,J8) TO (P9,P10)	1500Vrms



ORIGINATED BY	DATE
Bain Liu	10-16-08
DRAWN BY	DATE
LW Yuan	10-16-08

TITLE	MagJack® TAB UP, SHIELDED 10/100/1000BT
-------	--

PART NO. / DRAWING NO.	SI-51005-FB
FILE NAME	SI-51005-FB.DWG

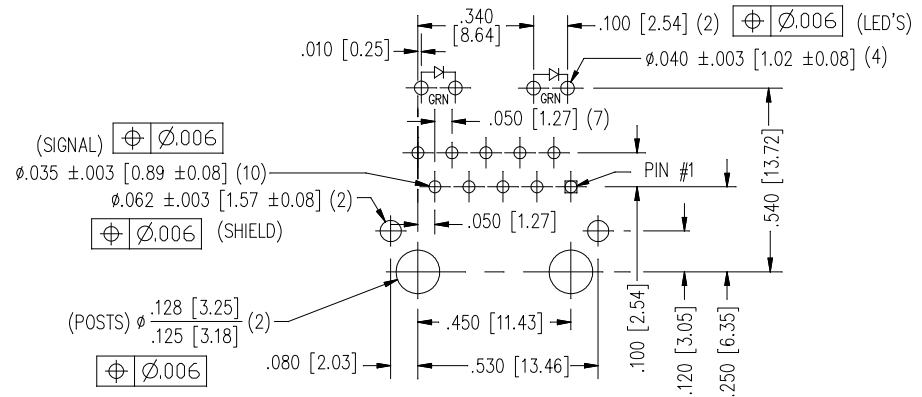
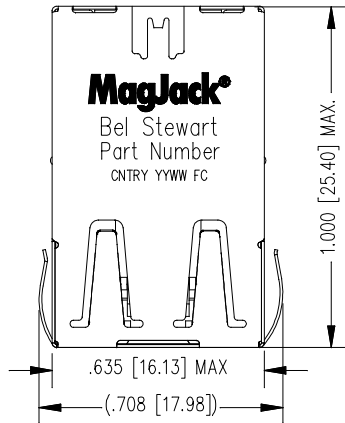
STANDARD DIM.	TOL. IN INCH
.X	
.XX	
.XXX	±0.005

[] METRIC DIM. AS REFERENCE	REV. : 01
UNIT : INCH [mm]	SIZE : A4
SCALE : N/A	PAGE : 1



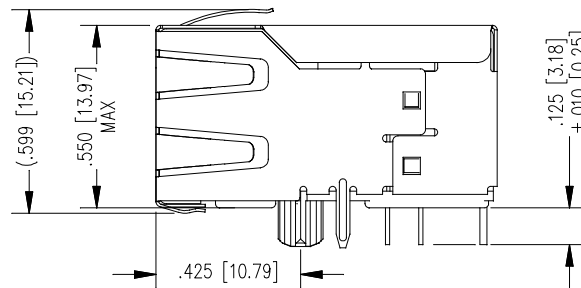
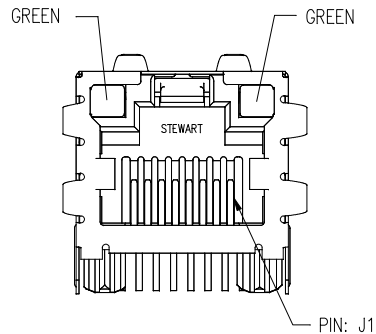
THE INFORMATION CONTAINED HEREIN IS CONSIDERED "PROPRIETARY" TO BEL FUSE INC. AND SHALL NOT BE COPIED, REPRODUCED OR DISCLOSED WITHOUT THE WRITTEN APPROVAL OF BEL FUSE INC.

RoHS
2002/95/EC



P.C.B. RECOMMENDED HOLE LAYOUT
SEEN FROM COMPONENT SIDE

ALL CENTERLINE DIMENSIONS ARE BASIC.



NOTES:

1. CONNECTOR MATERIALS:
HOUSING: THERMOPLASTIC UL94 V-0
CONTACT/SHIELD: COPPER ALLOY
SHIELD PLATING: NICKEL OR TIN
CONTACT PLATING: SELECTIVE GOLD,
50 MICRO-INCHES MIN. IN CONTACT AREA.
2. PIN NOT ELECTRICALLY CONNECTED MAYBE OMITTED.
SEE ELECTRICAL DRAWING FOR OMITTED PINS.
3. TOLERANCES COMPLY WITH F.C.C. DIMENSION REQUIREMENTS.
4. ALL TOLERANCES NOT OTHERWISE SPECIFIED TO BE ±.005 [0.13]
5. REFLOW AND WAVE SOLDER COMPATIBLE -260°C FOR 10 SECONDS MAX.

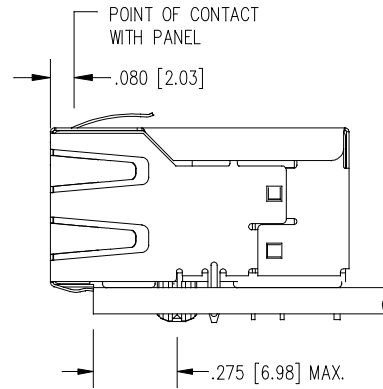
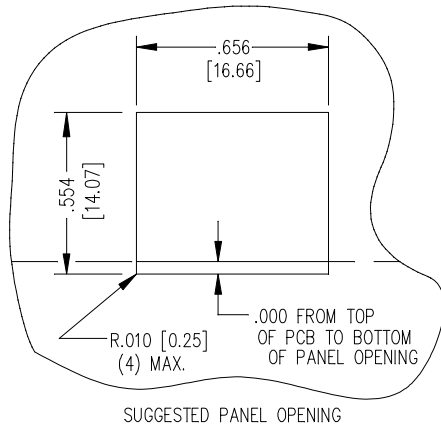
LED SPECIFICATION			
STANDARD LED	WAVELENGTH	FORWARD V (MAX)	* (TYP)
GREEN	565 nm	2.5 V	2.2 V

*WITH A FORWARD CURRENT OF 20 mA (TYP)

ORIGINATED BY Bain Liu	DATE 10-16-08	TITLE MagJack® TAB UP, SHIELDED 10/100/1000BT	PART NO. / DRAWING NO. SI-51005-FB	STANDARD DIM. TOL. IN INCH	[] METRIC DIM. AS REFERENCE	bel COMPONENTS FOR A CONNECTED PLANET
DRAWN BY LW Yuan	DATE 10-16-08		FILE NAME SI-51005-FB.DWG	.X .XX .XXX	UNIT : INCH [mm] SCALE : N/A	

THE INFORMATION CONTAINED HEREIN IS CONSIDERED "PROPRIETARY" TO BEL FUSE INC. AND SHALL NOT BE COPIED, REPRODUCED OR DISCLOSED WITHOUT THE WRITTEN APPROVAL OF BEL FUSE INC.

RoHS
2002/95/EC



1. THE SUGGESTED PANEL OPENING IS INTENDED TO GIVE THE USER THE ABILITY TO HAVE REASONABLE JACK / PANEL CLEARANCES YET MAINTAIN RELIABLE GROUNDING CAPABILITY.
2. ALL TOLERANCES NOT OTHERWISE SPECIFIED TO BE ± 0.005 [0.13]

ORIGINATED BY Bain Liu	DATE 10-16-08	TITLE MagJack® TAB UP, SHIELDED 10/100/1000BT	PART NO. / DRAWING NO. SI-51005-FB	STANDARD DIM. TOL. IN INCH	[] METRIC DIM. AS REFERENCE	bel COMPONENTS FOR A CONNECTED PLANET
DRAWN BY LW Yuan	DATE 10-16-08		FILE NAME SI-51005-FB.DWG	.X .XX .XXX	UNIT : INCH [mm] SCALE : N/A ±0.005	