

ELECTRICAL SPECIFICATIONS:

1.0 TURNS RATIO: (P8-P7-P6) : (J3-J6) : 1CT : 1CT ± 3%
 (P5-P4-P3) : (J1-J2) : 1CT : 1CT ± 3%

2.0 INDUCTANCE: (P8-P6) : 350uH MIN. @ 0.1V, 100KHz, 8mA DC Bias
 (P5-P3) : 350uH MIN. @ 0.1V, 100KHz, 8mA DC Bias

3.0 LEAKAGE INDUCTANCE: P8-P6 (WITH J6 AND J3 SHORT) : 0.3 MAX. @ 1MHz
 P5-P3 (WITH J2 AND J1 SHORT) : 0.3 MAX. @ 1MHz

4.0 INTERWINDING CAPACITANCE: (P8,P7,P6) TO (J6,J3) : 30pf MAX @ 1MHz
 (P5,P4,P3) TO (J2,J1) : 30pf MAX. @ 1MHz

5.0 DC RESISTANCE: (J6-J3)=(J2-J1) : 1.2 ohms Max.

6.0 RETURN LOSS: (P8-P6)=100 OHMS AND (J1-J2)=100 OHM REF.
 1MHz TO 30MHz : 18dB MIN.
 30MHz TO 80MHz : 12dB MIN.

NOTE: 100 OHMS CONNECTED TO (P5-P3) OR (J6-J3).

7.0 DIELECTRIC WITHSTAND: (J1, J2) TO (P5, P3) : 1500 VAC
 (J3, J6) TO (P8, P6) : 1500 VAC

8.0 INSERTION LOSS: RS=RL=100 ohms
 100KHz TO 100MHz : 1.1 dB TYP

9.0 RISE TIME: RS=100 OHMS AND RL = 100 OHMS
 OUTPUT VOLTAGE = 1 V peak : 3.0 nS MAX
 PULSE WIDTH= 112nS : 3.0 nS MAX

10.0 CROSS TALK: 1-100 MHz : 30 dB TYP

11.0 COMMON TO COMMON MODE ATTENUATION: 1MHz TO 100MHz : 35dB TYP



Bel Stewart Connector
 11118 Susquehanna Trail, South
 Glen Rock, Pa 17327-9199
 717.234.7512

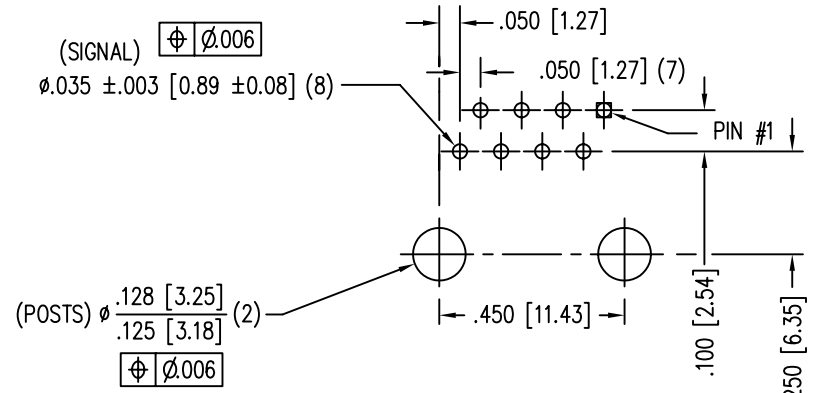
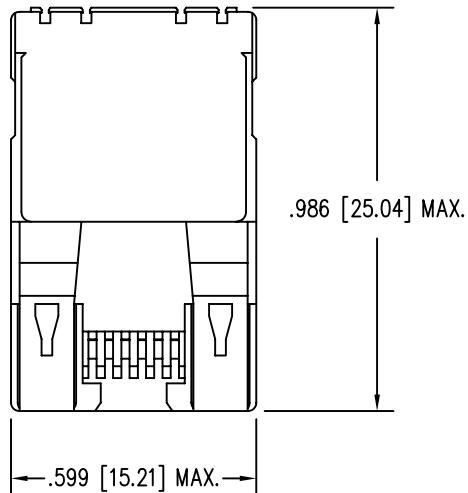


<http://www.stewartconnector.com>

THIS DRAWING AND THE SUBJECT MATTER SHOWN THEREON ARE CONFIDENTIAL AND PROPERTY OF BEL STEWART CONNECTOR AND SHALL NOT BE REPRODUCED, COPIED, OR USED IN ANY MANNER WITHOUT PRIOR WRITTEN CONTENT OF BEL STEWART CONNECTOR. THE SUBJECT MATTER MAY BE PATENTED OR A PATENT MAY BE PENDING.

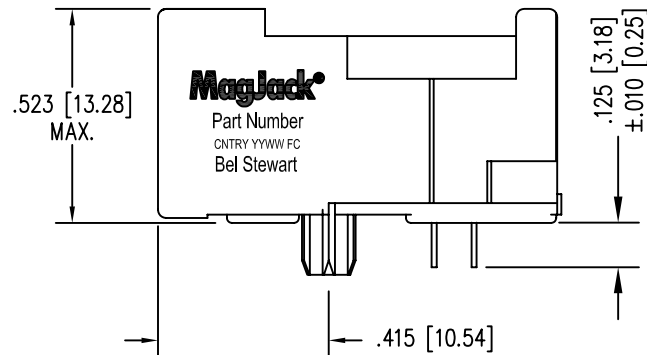
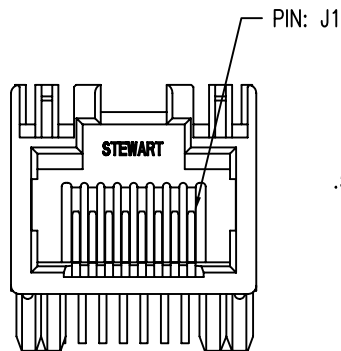
SHEET 1 OF 2

DRAWING NO. SI-50217-F REV. 05



P.C.B. RECOMMENDED HOLE LAYOUT
SEEN FROM COMPONENT SIDE

ALL CENTERLINE DIMENSIONS ARE BASIC.



NOTES:

- CONNECTOR MATERIALS:
HOUSING: THERMOPLASTIC UL94 V-0
CONTACT: COPPER ALLOY
CONTACT PLATING: SELECTIVE GOLD,
50 MICRO-INCHES MIN. IN CONTACT AREA.
- PIN NOT ELECTRICALLY CONNECTED MAYBE OMITTED.
SEE ELECTRICAL DRAWING FOR OMITTED PINS.
- TOLERANCES COMPLY WITH F.C.C. DIMENSION REQUIREMENTS.
- ALL TOLERANCES NOT OTHERWISE SPECIFIED TO BE \pm .005 [0.13]
- REFLOW AND WAVE SOLDER COMPATIBLE -260°C FOR
10 SECONDS MAX.

Bel Stewart Connector

11118 Susquehanna Trail, South
Glen Rock, Pa 17327-9199
717.234.7512

MagJack®

<http://www.stewartconnector.com>

THIS DRAWING AND THE SUBJECT MATTER SHOWN THEREON ARE CONFIDENTIAL AND PROPERTY OF BEL STEWART CONNECTOR AND SHALL NOT BE REPRODUCED, COPIED, OR USED IN ANY MANNER WITHOUT PRIOR WRITTEN CONTENT OF BEL STEWART CONNECTOR. THE SUBJECT MATTER MAY BE PATENTED OR A PATENT MAY BE PENDING.

SHEET
2 OF 2

DRAWING NO.
SI-50217-F

REV.
01