

THE INFORMATION CONTAINED HEREIN IS CONSIDERED "PROPRIETARY" TO BEL FUSE INC. AND SHALL NOT BE COPIED, REPRODUCED OR DISCLOSED WITHOUT THE WRITTEN APPROVAL OF BEL FUSE INC.

RoHS
2002/95/EC



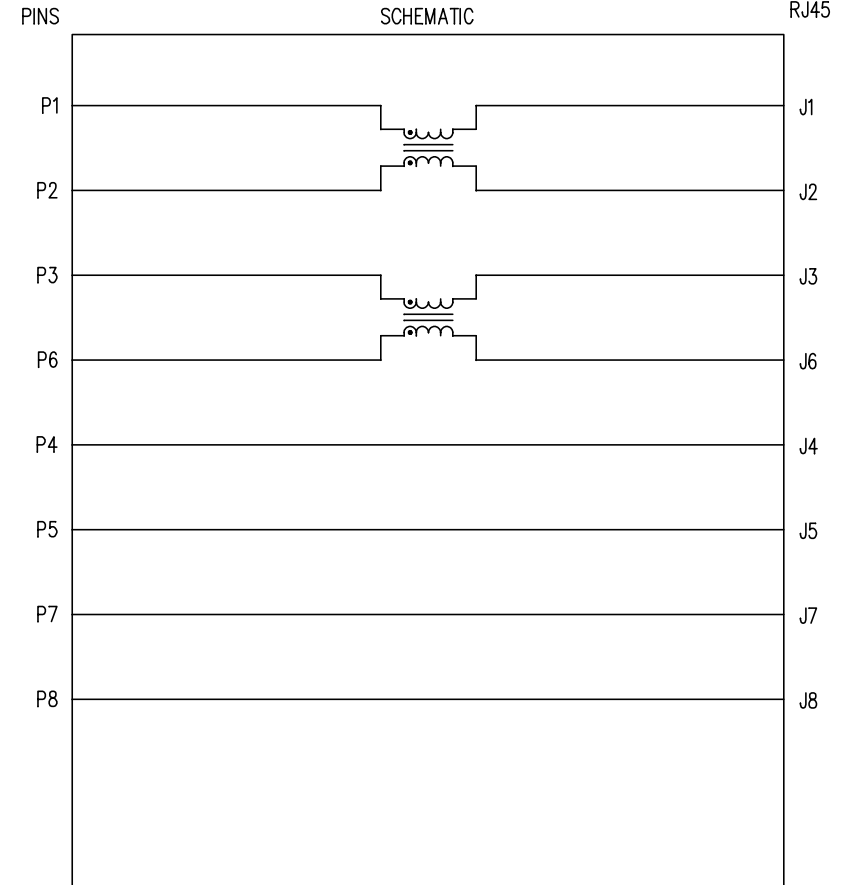
ELECTRICAL CHARACTERISTICS @ 25°C

1.0 INDUCTANCE: P6-J6 : 65 uH TYP @.01V, 10KHz
P1-J1 : 65 uH TYP @.01V, 10KHz

2.0 DC RESISTANCE: P6-J6 : .5 OHM MAX
P3-J3 : .5 OHM MAX
P2-J2 : .5 OHM MAX
P1-J1 : .5 OHM MAX

3.0 COMMON MODE : CMA (-dB)

FREQUENCY (MHz)	TYPICAL	MIN
1	8	5
5	17	15
20	23	15
70	25	20
200	22	17
500	11	6



ORIGINATED BY	DATE
Bain Liu	09-19-09
DRAWN BY	DATE
Bain Liu	09-19-09

TITLE
MagJack® CMC,100BT TAB UP, SHIELDED

PART NO. / DRAWING NO.
SI-50185-F
FILE NAME
SI-50185-F.DWG

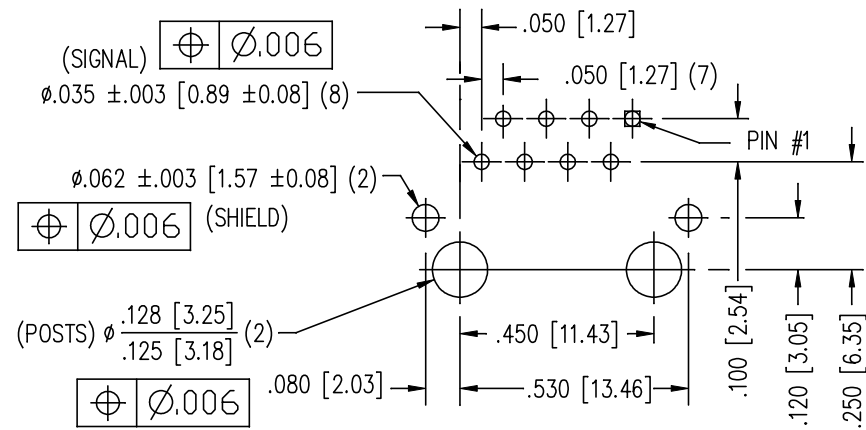
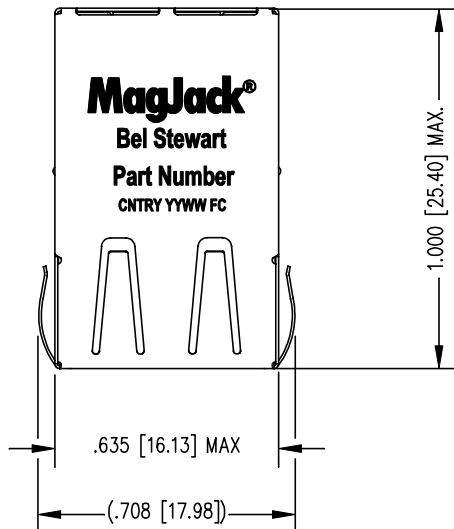
STANDARD DIM.	[] METRIC DIM. AS REFERENCE
TOL. IN INCH	UNIT : INCH [mm]
.X	REV. : A0
.XX	SCALE : N/A
.XXX	SIZE : A4
±0.005	PAGE : 2

UNIT : INCH [mm]	REV. : A0
SCALE : N/A	SIZE : A4
PAGE : 2	



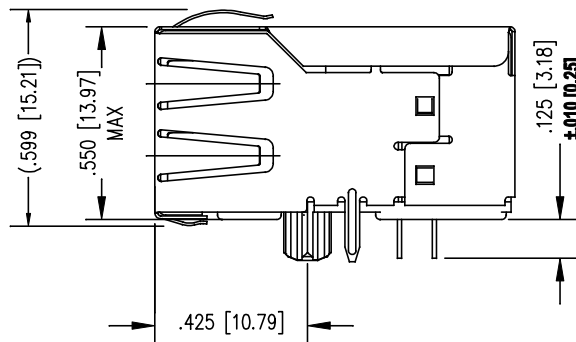
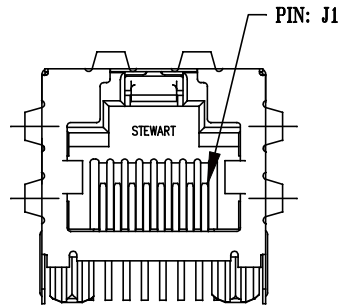
THE INFORMATION CONTAINED HEREIN IS CONSIDERED "PROPRIETARY" TO BEL FUSE INC. AND SHALL NOT BE COPIED, REPRODUCED OR DISCLOSED WITHOUT THE WRITTEN APPROVAL OF BEL FUSE INC.

RoHS
2002/95/EC



P.C.B. RECOMMENDED HOLE LAYOUT
SEEN FROM COMPONENT SIDE

ALL CENTERLINE DIMENSIONS ARE BASIC.



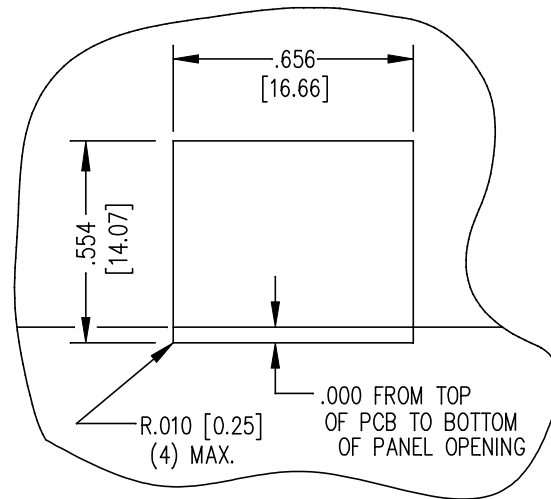
NOTES:

- CONNECTOR MATERIALS:
HOUSING: THERMOPLASTIC UL94 V-0
CONTACT/SHIELD: COPPER ALLOY
SHIELD PLATING: NICKEL OR TIN
CONTACT PLATING: SELECTIVE GOLD,
50 MICRO-INCHES MIN. IN CONTACT AREA.
- PIN NOT ELECTRICALLY CONNECTED MAYBE OMITTED.
SEE ELECTRICAL DRAWING FOR OMITTED PINS.
- TOLERANCES COMPLY WITH F.C.C. DIMENSION REQUIREMENTS.
- ALL TOLERANCES NOT OTHERWISE SPECIFIED TO BE $\pm .005$ [0.13]
- WAVE SOLDER COMPATIBLE - PREHEAT 125°C/90SECS.
HIGH TEMPERATURE REFLOW COMPATIBLE - 230°C/90 SEC MAX.

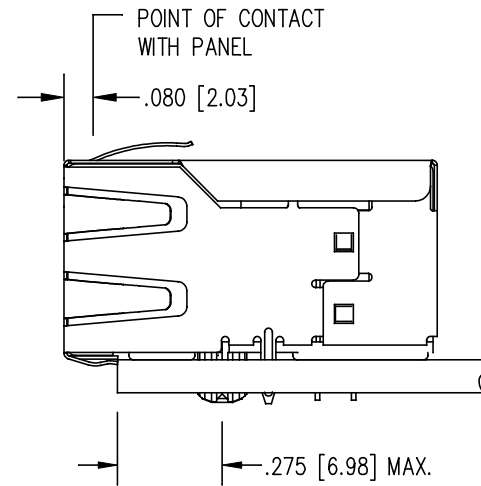
ORIGINATED BY	DATE	TITLE	PART NO. / DRAWING NO.	STANDARD DIM.	[] METRIC DIM. AS REFERENCE		 COMPONENTS FOR A CONNECTED PLANET
Bain Liu	09-19-09	MagJack[®] CMC, 100BT TAB UP, SHIELDED	SI-50185-F	TOL. IN INCH	UNIT : INCH [mm]	REV. : A0	
DRAWN BY	DATE		FILE NAME	.X	SCALE : N/A	SIZE : A4	
Bain Liu	09-19-09		SI-50185-F.DWG	.XX	\varnothing	PAGE : 3	
				.XXX	± 0.005		

THE INFORMATION CONTAINED HEREIN IS CONSIDERED "PROPRIETARY" TO BEL FUSE INC. AND SHALL NOT BE COPIED, REPRODUCED OR DISCLOSED WITHOUT THE WRITTEN APPROVAL OF BEL FUSE INC.

RoHS
2002/95/EC



SUGGESTED PANEL OPENING



1. THE SUGGESTED PANEL OPENING IS INTENDED TO GIVE THE USER THE ABILITY TO HAVE REASONABLE JACK / PANEL CLEARANCES YET MAINTAIN RELIABLE GROUNDING CAPABILITY.
2. ALL TOLERANCES NOT OTHERWISE SPECIFIED TO BE ± 0.005 [0.13]

ORIGINATED BY Bain Liu	DATE 09-19-09	TITLE MagJack® CMC, 100BT TAB UP, SHIELDED	PART NO. / DRAWING NO. SI-50185-F	STANDARD DIM. TOL. IN INCH .X .XX .XXX	[] METRIC DIM. AS REFERENCE UNIT : INCH [mm] SCALE : N/A 	REV. : A0 SIZE : A4 PAGE : 4	bel COMPONENTS FOR A CONNECTED PLANET
DRAWN BY Bain Liu	DATE 09-19-09		FILE NAME SI-50185-F.DWG	± 0.005			