

THE INFORMATION CONTAINED HEREIN IS CONSIDERED "PROPRIETARY" TO BEL FUSE INC. AND SHALL NOT BE COPIED, REPRODUCED OR DISCLOSED WITHOUT THE WRITTEN APPROVAL OF BEL FUSE INC.

RoHS
2002/95/EC



ELECTRICAL CHARACTERISTICS @ 25°C

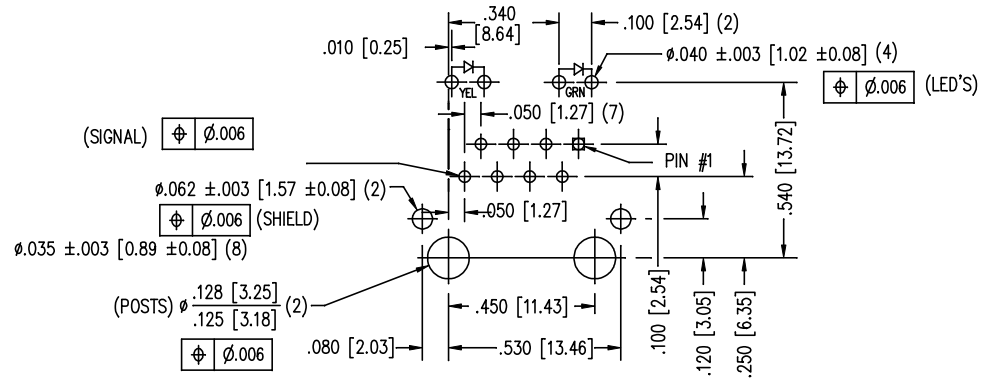
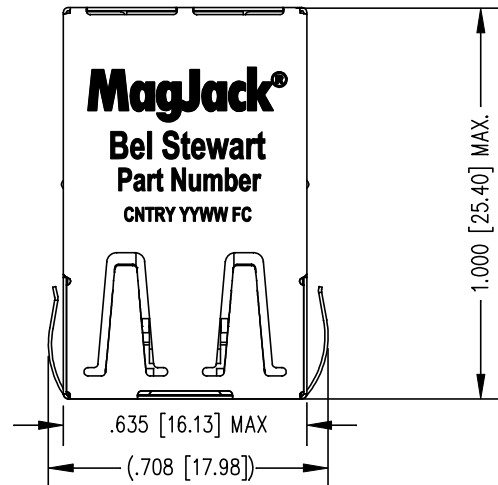
(PIN1-RJ1, PIN2-RJ2, PIN3-RJ3, PIN4-RJ4,
PIN5-RJ5, PIN6-RJ6, PIN7-RJ7, PIN8-RJ8)
SHORTED

PINS	SCHEMATIC	RJ45
P1		J1
P2		J2
P3		J3
P4		J4
P5		J5
P6		J6
P7		J7
P8		J8

ORIGINATED BY Bain Liu	DATE 09-14-09	TITLE MagJack® PASSIVE TAB UP, SHIELDED	PART NO. / DRAWING NO. SI-50009-F	STANDARD DIM. TOL. IN INCH	[] METRIC DIM. AS REFERENCE		
DRAWN BY Bain Liu	DATE 09-14-09		FILE NAME SI-50009-F.DWG	.X .XX .XXX	UNIT : INCH [mm] SCALE : N/A 	REV. : A0 SIZE : A4 PAGE : 2	
				±0.005			COMPONENTS FOR A CONNECTED PLANET

THE INFORMATION CONTAINED HEREIN IS CONSIDERED "PROPRIETARY" TO BEL FUSE INC. AND SHALL NOT BE COPIED, REPRODUCED OR DISCLOSED WITHOUT THE WRITTEN APPROVAL OF BEL FUSE INC.

RoHS
2002/95/EC

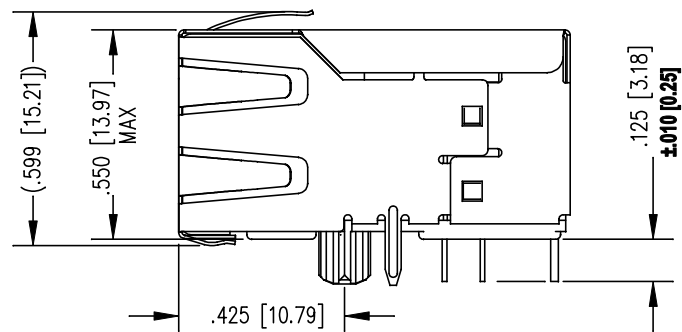
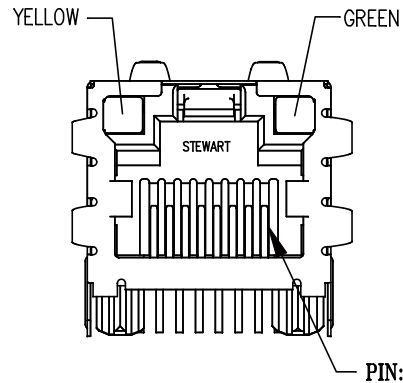


P.C.B. RECOMMENDED HOLE LAYOUT
SEEN FROM COMPONENT SIDE

ALL CENTERLINE DIMENSIONS ARE BASIC.

LED SPECIFICATION			
STANDARD LED	WAVELENGTH	FORWARD V (MAX)	* (TYP)
GREEN	565 nm	2.5 V	2.2 V
YELLOW	590 nm	2.5 V	2.1 V

*WITH A FORWARD CURRENT OF 20 mA (TYP)



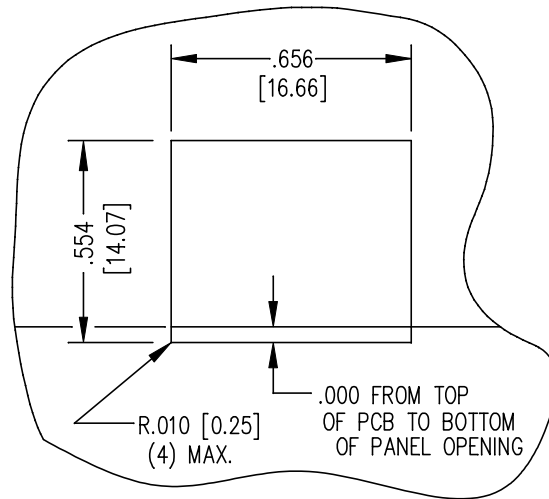
NOTES:

- CONNECTOR MATERIALS:
HOUSING: THERMOPLASTIC UL94 V-0
CONTACT/SHIELD: COPPER ALLOY
SHIELD PLATING: NICKEL OR TIN
CONTACT PLATING: SELECTIVE GOLD,
50 MICRO-INCHES MIN. IN CONTACT AREA.
- PIN NOT ELECTRICALLY CONNECTED MAYBE OMITTED.
SEE ELECTRICAL DRAWING FOR OMITTED PINS.
- TOLERANCES COMPLY WITH F.C.C. DIMENSION REQUIREMENTS.
- ALL TOLERANCES NOT OTHERWISE SPECIFIED TO BE ±.005 [0.13]
- WAVE SOLDER COMPATIBLE - PREHEAT 125°C/90SECS.
HIGH TEMPERATURE REFLOW COMPATIBLE - 230°C/90 SEC MAX.

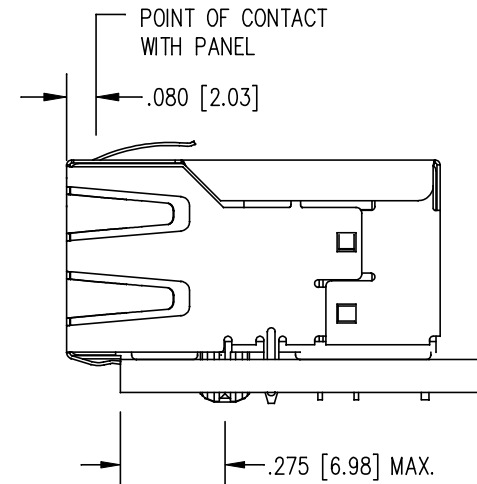
ORIGINATED BY	DATE	TITLE	PART NO. / DRAWING NO.	STANDARD DIM. TOL. IN INCH	[] METRIC DIM. AS REFERENCE		
Bain Liu	09-14-09	MagJack® PASSIVE TAB UP, SHIELDED	SI-50009-F	.X	UNIT : INCH [mm]		REV. : A0
DRAWN BY	DATE		FILE NAME	.XX	SCALE : N/A		SIZE : A4
Bain Liu	09-14-09		SI-50009-F.DWG	.XXX	±0.005		PAGE : 3

THE INFORMATION CONTAINED HEREIN IS CONSIDERED "PROPRIETARY" TO BEL FUSE INC. AND SHALL NOT BE COPIED, REPRODUCED OR DISCLOSED WITHOUT THE WRITTEN APPROVAL OF BEL FUSE INC.

RoHS
2002/95/EC



SUGGESTED PANEL OPENING



1. THE SUGGESTED PANEL OPENING IS INTENDED TO GIVE THE USER THE ABILITY TO HAVE REASONABLE JACK / PANEL CLEARANCES YET MAINTAIN RELIABLE GROUNDING CAPABILITY.
2. ALL TOLERANCES NOT OTHERWISE SPECIFIED TO BE ± 0.005 [0.13]

ORIGINATED BY	DATE	TITLE	PART NO. / DRAWING NO.	STANDARD DIM. TOL. IN INCH	[] METRIC DIM. AS REFERENCE	
Bain Liu	09-14-09	MagJack[®] PASSIVE TAB UP, SHIELDED	SI-50009-F	.X	UNIT : INCH [mm]	REV. : A0
DRAWN BY	DATE		FILE NAME	.XX	SCALE : N/A	SIZE : A4
Bain Liu	09-14-09		SI-50009-F.DWG	.XXX	± 0.005	PAGE : 4

