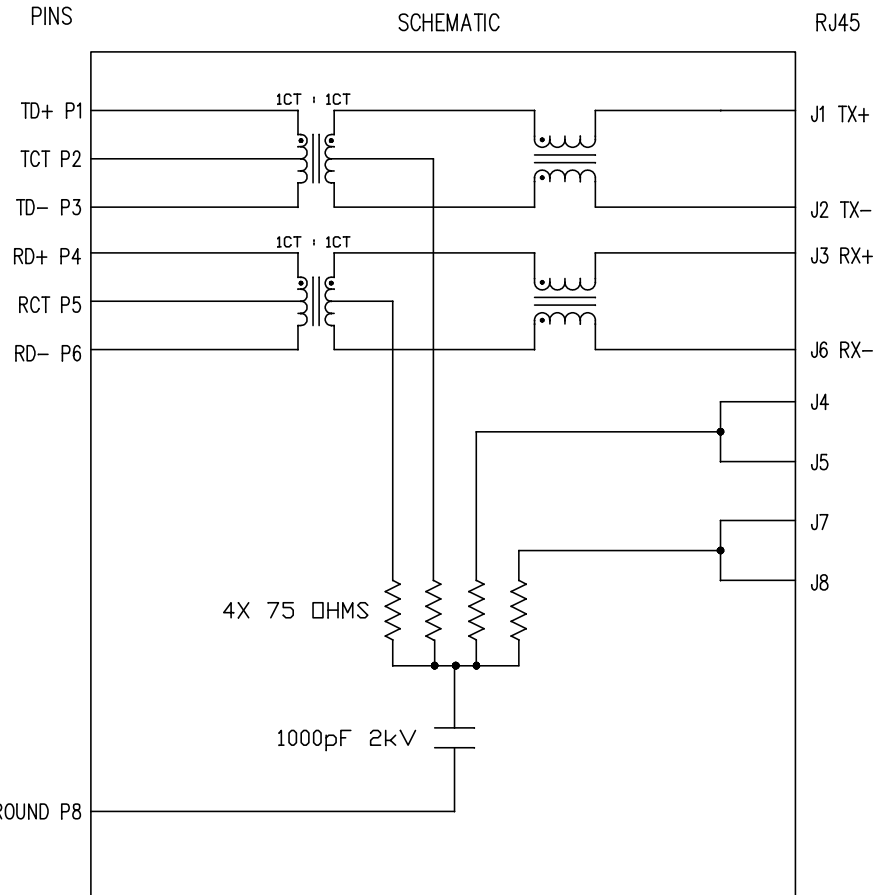


THE INFORMATION CONTAINED HEREIN IS CONSIDERED "PROPRIETARY" TO BEL FUSE INC. AND SHALL NOT BE COPIED, REPRODUCED OR DISCLOSED WITHOUT THE WRITTEN APPROVAL OF BEL FUSE INC.



ELECTRICAL CHARACTERISTICS @ 25°C

- 1.0 INDUCTANCE:
 - (P6-P4) : 350uH MIN. @ 0.1V, 100KHz, 8mA DC BIAS
 - (P3-P1) : 350uH MIN. @ 0.1V, 100KHz, 8mA DC BIAS
- 2.0 TURNS RATIO:
 - (P6-P4):(J6-J3) : 1CT : 1CT ± 3%
 - (P3-P1):(J2-J1) : 1CT : 1CT ± 3%
- 3.0 DC RESISTANCE:
 - (J6-J3)=(J2-J1) : 1.5 OHMS MAX.
- 4.0 INSERTION LOSS:
 - 100kHz TO 100MHz : -1.1dB TYP.
- 5.0 RETURN LOSS: 100 OHMS SOURCE APPLIED TO J-PINS
 - 1MHz TO 30MHz : -18dB MIN.
 - 60MHz TO 80MHz : -12dB MIN.
 - NOTE: 100 OHMS CONNECTED TO (P6-P4) OR (P1-P3)
- 6.0 CROSS TALK:
 - 1MHz TO 100MHz : -40dB TYP.
- 7.0 COMMON TO COMMON MODE ATTENUATION:
 - 30MHz TO 100MHz : -35dB TYP.
- 8.0 RISE TIME:
 - OUTPUT VOLTAGE=1 V PEAK : 3.0 nS MAX
 - PULSE WIDTH=112ns : 3.0 nS MAX
- 9.0 VOLTAGE WITHSTAND:
 - (J1,J2) TO (P1,P3) : 1500Vrms
 - (J3,J6) TO (P4,P6) : 1500Vrms
- 10.0 OPERATING TEMPERATURE RANGE: -40°C TO 85°C



NOTES:
1.0 PINS WITHOUT ELECTRICAL CONNECTION ARE OMITTED.

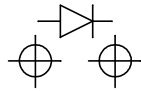
ORIGINATED BY	DATE	TITLE	PART NO. / DRAWING NO.	STANDARD DIM.	[] METRIC DIM. AS REFERENCE	
Bain Liu	Jun-03-09	MagJack® 10/100BT VERTICAL, SHIELDED PATENTED	SI-46014-F	TOL. IN INCH	UNIT : INCH [mm]	REV. : A0
DRAWN BY	DATE		FILE NAME	.X	SCALE : N/A	SIZE : A4
Bain Liu	Jun-03-09		SI-46014-F.DWG	.XX		
				.XXX	±0.005	PAGE : 2



THE INFORMATION CONTAINED HEREIN IS CONSIDERED "PROPRIETARY" TO BEL FUSE INC. AND SHALL NOT BE COPIED, REPRODUCED OR DISCLOSED WITHOUT THE WRITTEN APPROVAL OF BEL FUSE INC.

RoHS
2002/95/EC

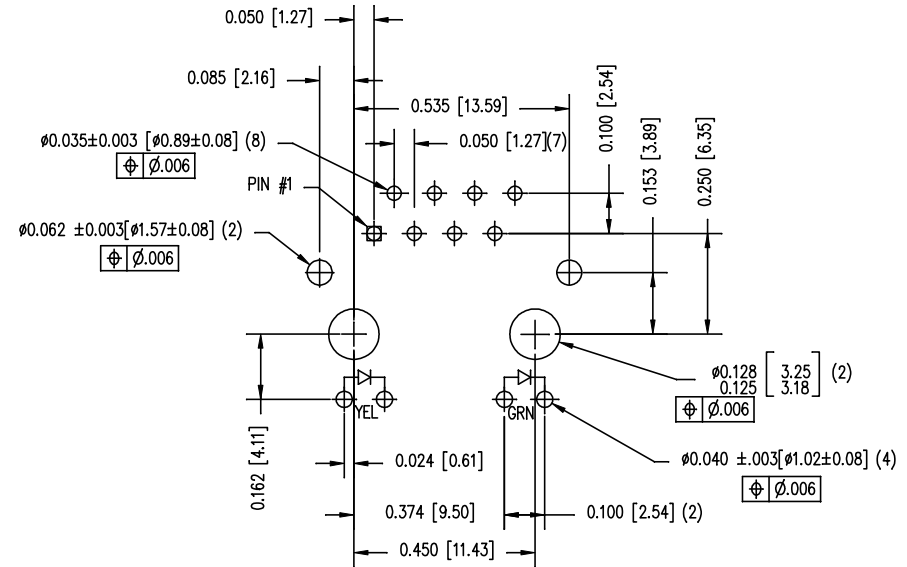
LED POLARITY
(ENLARGED VIEW)



SINGLE COLOR LED

LED SPECIFICATION			
STANDARD LED	WAVELENGTH	FORWARD V (MAX)	*(TYP)
GREEN	565 nm	2.5 V	2.2 V
YELLOW	590 nm	2.5 V	2.1 V

*WITH A FORWARD CURRENT OF 20 mA (TYP)

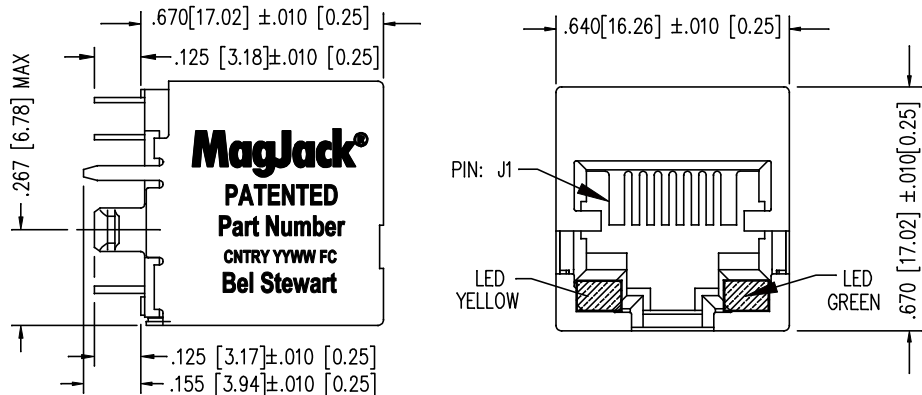


P.C.B. RECOMMENDED HOLE LAYOUT
SEEN FROM COMPONENT SIDE

ALL CENTERLINE DIMENSIONS ARE BASIC

NOTES:

- CONNECTOR MATERIALS:
HOUSING: THERMOPLASTIC UL94 V-0
CONTACT/SHIELD: COPPER ALLOY
SHIELD PLATING: NICKEL OR TIN
CONTACT PLATING: SELECTIVE GOLD,
50 MICRO-INCHES MIN. IN CONTACT AREA.
- PIN NOT ELECTRICALLY CONNECTED MAYBE OMITTED.
SEE ELECTRICAL DRAWING FOR OMITTED PINS.
- TOLERANCES COMPLY WITH F.C.C. DIMENSION REQUIREMENTS.
- ALL TOLERANCES NOT OTHERWISE SPECIFIED TO BE ± 0.005 [0.13]
- WAVE SOLDER COMPATIBLE - PREHEAT 125°C/90SECS.



MagJack®
PATENTED
Part Number
CNTRY YYWW FC
Bel Stewart

ORIGINATED BY	DATE	TITLE MagJack® 10/100BT VERTICAL, SHIELDED PATENTED
Bain Liu	Jun-03-09	
DRAWN BY	DATE	
Bain Liu	Jun-03-09	

PART NO. / DRAWING NO.	STANDARD DIM.	[] METRIC DIM. AS REFERENCE
SI-46014-F	TOL. IN INCH	UNIT : INCH [mm]
FILE NAME	.X	REV. : A0
SI-46014-F.DWG	.XX	SCALE : N/A
	.XXX	SIZE : A4
	±0.005	PAGE : 3

