



ELECTRICAL CHARACTERISTICS @ 25°C

URNS RATIO

TX 1CT : 1
RX 1CT : 1

QCL @ 100kHz/100mVRMS

8mA DC BIAS 350μH MIN.

INS. LOSS

1MHz TO 100MHz -1.0 dB MAX

RET. LOSS (MIN)

1MHz-30MHz -18 dB
30MHz-60MHz -18+20LOG(F/30MHz) dB
60MHz-80MHz -12 dB

CROSS TALK (TX - RX)

500kHz-1MHz -70 dB MIN
10 MHz -50 dB MIN
30 MHz -45 dB MIN
50 MHz -40 dB MIN
100 MHz -35 dB MIN

CM TO CM REJ

100kHz-1MHz -70 dB MIN
10 MHz -47 dB MIN
30 MHz -42 dB MIN
60 MHz -37 dB MIN
100 MHz -30 dB MIN

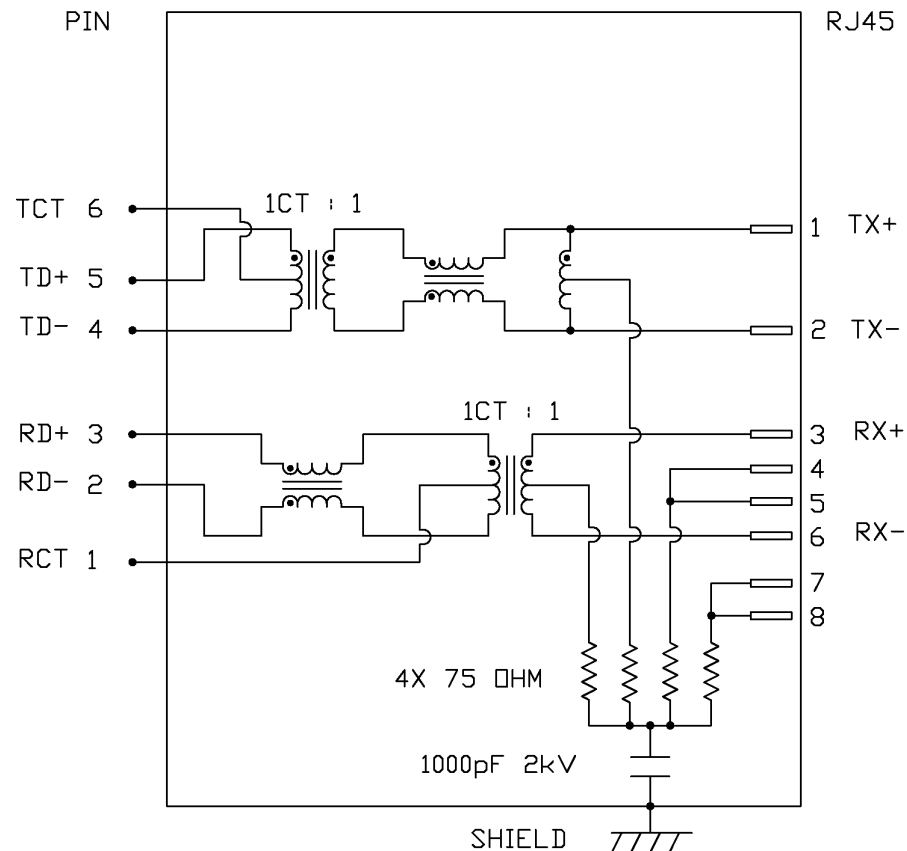
CM TO DM REJ

100kHz-1MHz -70 dB MIN
10 MHz -60 dB MIN
30 MHz -50 dB MIN
60 MHz -45 dB MIN
100 MHz -40 dB MIN

HIPOT (Isolation Voltage):

1500 Vrms or 2250VDC

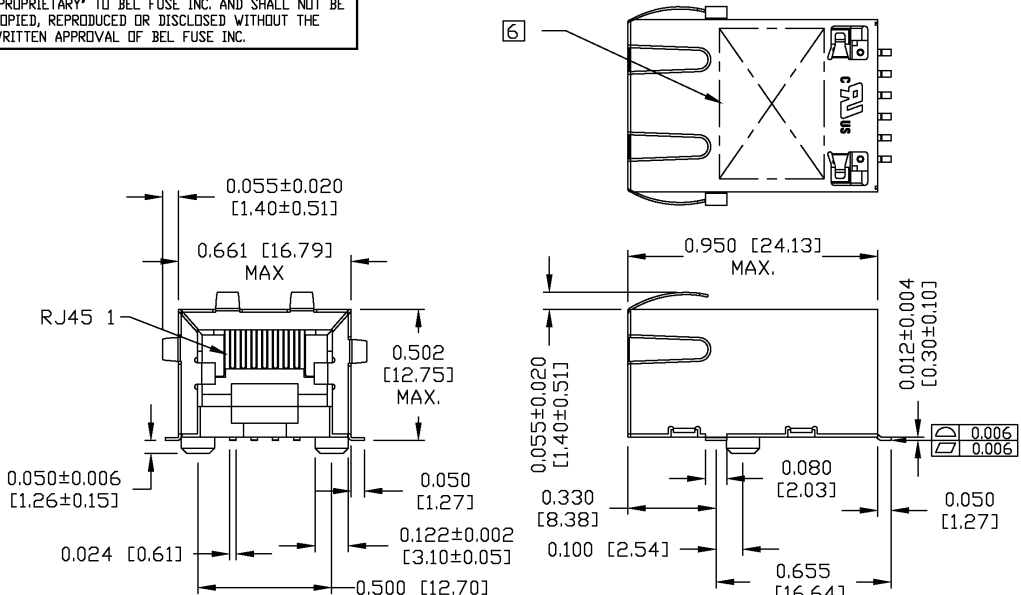
SCHEMATIC



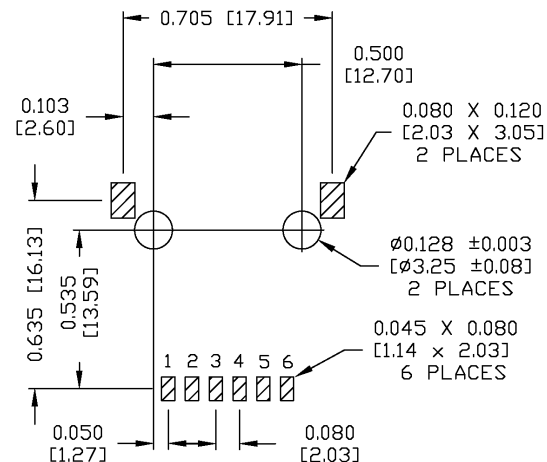
ORIGINATED BY	DATE	TITLE	PART NO. / DRAWING NO.	STANDARD DIM.	[] METRIC DIM. AS REFERENCE	
CHUNG	05-18-06	SMD MagJack® (CM Termination)	S8111X1T03-F	TOL. IN INCH	UNIT : INCH [mm]	REV. : B
DRAWN BY	DATE		FILE NAME	.X	SCALE : N/A	SIZE : A4
DE	05-18-06	S811-1X1T-03-F	S8111X1T03-FB.DWG	.XX	⊕	PAGE : 2
				.XXX		



THE INFORMATION CONTAINED HEREIN IS CONSIDERED "PROPRIETARY" TO BEL FUSE INC. AND SHALL NOT BE COPIED, REPRODUCED OR DISCLOSED WITHOUT THE WRITTEN APPROVAL OF BEL FUSE INC.



RECOMMENDED PCB FOOTPRINT
COMPONENT SIDE VIEW



- NOTES:**
1. PLASTIC HOUSING: THERMOPLASTIC PA 4/6 & THERMOSET PHENOLIC. FLAMMABILITY RATING UL 94V-0
 2. CONTACTS PLATING: 50 MICRO-INCH HARD GOLD PLATING
 3. PINS: TIN-COATED COPPER WIRE, 0.024 [0.6] X 0.012 [0.3] THK,
 4. METAL SHIELD: NICKEL PLATED COPPER ALLOY.
 5. JACK CAVITY CONFORMS TO FCC RULES AND REGULATIONS.
6. MARK PART WITH MFG LOGO, MFG NAME, PART NUMBER, AND DATE CODE.

c RL us UL RECOGNIZED - FILE #E196366 AND E169987.

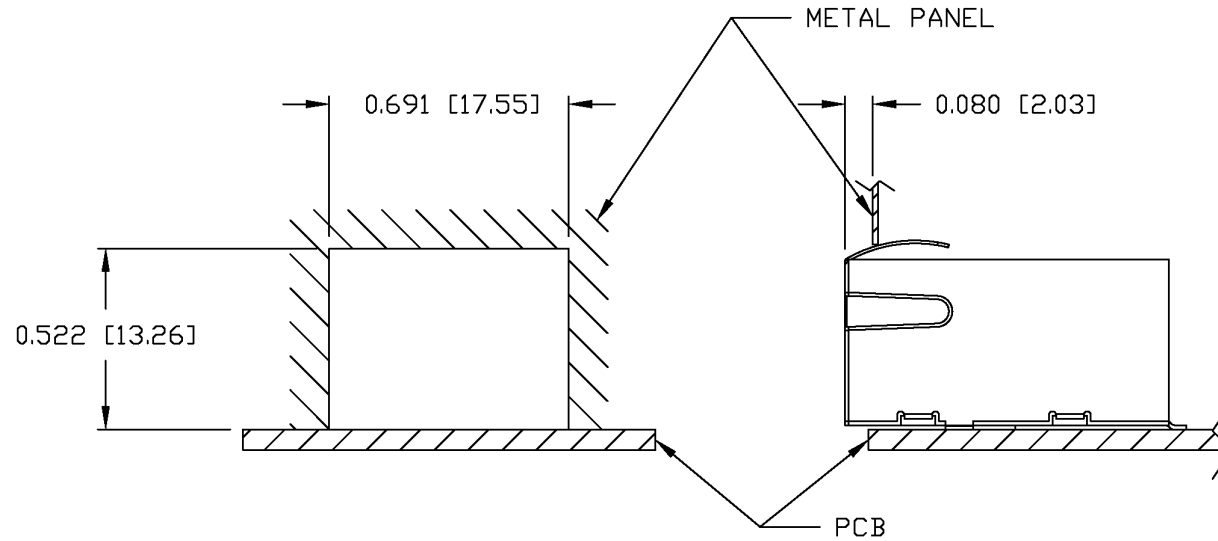
7. RoHS COMPLIANCE, PER EU DIRECTIVE 2002/95/EC.

ORIGINATED BY BANG/KEUNG	DATE 05-18-06	TITLE SMD MagJack® (CM Termination) S811-1X1T-03-F	PART NO. / DRAWING NO. S811X1T03-F	STANDARD DIM. TOL. IN INCH .X .XX .XXX	[] METRIC DIM. AS REFERENCE UNIT : INCH [mm] SCALE : N/A	REV. : B SIZE : A4 PAGE : 3	
DRAWN BY LING	DATE 05-18-06		FILE NAME S811X1T03-FB.DWG	±0.010			COMPONENTS ARE CONNECTED PLANET

THE INFORMATION CONTAINED HEREIN IS CONSIDERED "PROPRIETARY" TO BEL FUSE INC. AND SHALL NOT BE COPIED, REPRODUCED OR DISCLOSED WITHOUT THE WRITTEN APPROVAL OF BEL FUSE INC.



SUGGESTED PANEL OPENING



NOTES:

THE DISTANCE OF PANEL INSIDE SURFACE RELATIVE TO FRONT SURFACE OF PART IS ONLY A SUGGESTION.
 IN CASE THIS DISTANCE IS DIFFERENT, THE REQUIRED PANEL OPENING DIMENSIONS CHANGE ACCORDINGLY.

ORIGINATED BY BANG/KEUNG	DATE 05-18-06	TITLE SMD MagJack® (CM Termination) S811-1X1T-03-F	PART NO. / DRAWING NO. S811X1T03-F	STANDARD DIM. TOL. IN INCH	[] METRIC DIM. AS REFERENCE	bel COMPONENTS FOR A CONNECTED PLANET
DRAWN BY LING	DATE 05-18-06		FILE NAME S811X1T03-FB.DWG	.X .XX .XXX	UNIT : INCH [mm] SCALE : N/A ⊕ ---	
DC002(2)032305			This document is electronically generated. This is a controlled copy if used internally			