

THE INFORMATION CONTAINED HEREIN IS CONSIDERED "PROPRIETARY" TO BEL FUSE INC. AND SHALL NOT BE COPIED, REPRODUCED OR DISCLOSED WITHOUT THE WRITTEN APPROVAL OF BEL FUSE INC.

RoHS  
2002/95/EC

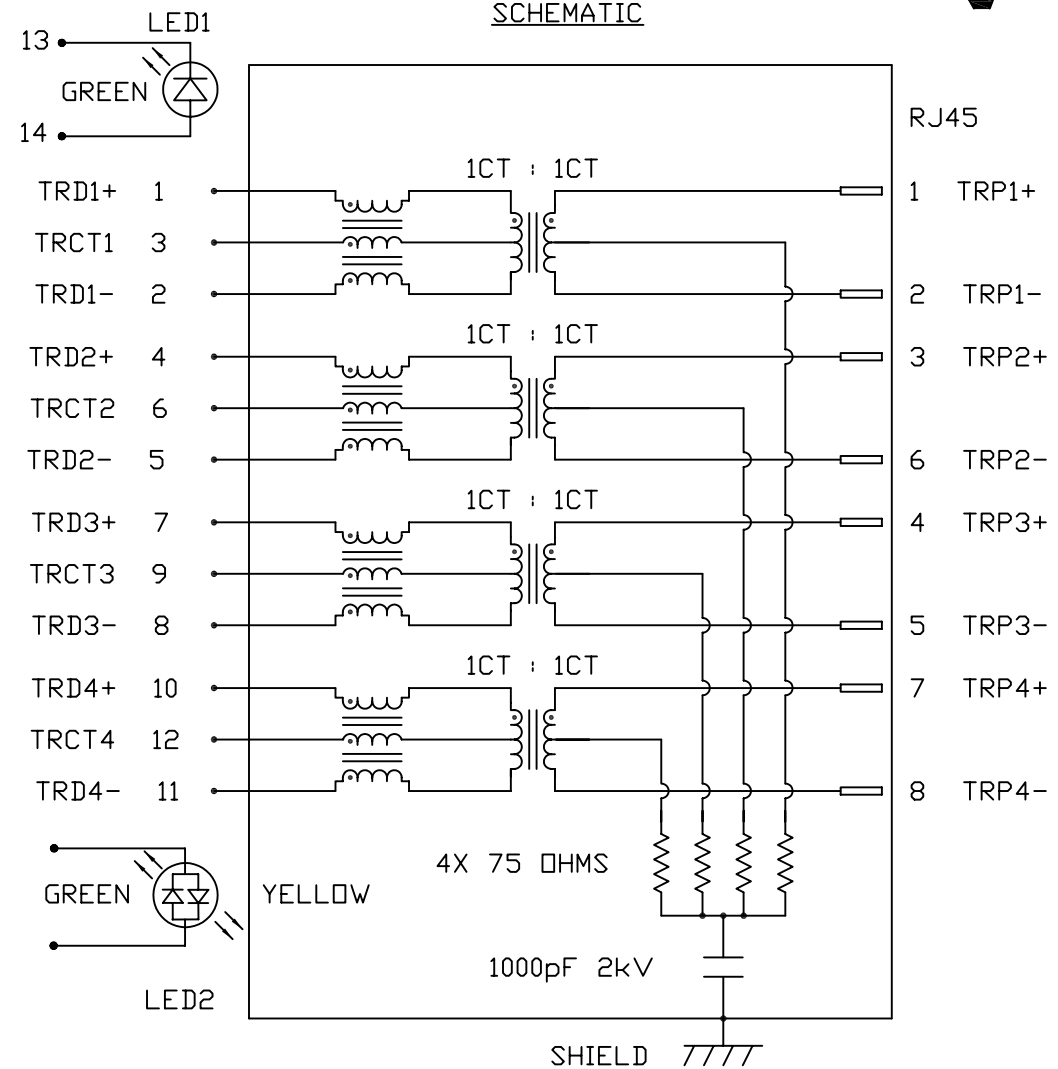


LED1 POLARITY			LED2 POLARITY		
PIN 13	PIN 14	COLOR	PIN 15	PIN 16	COLOR
-	+	GREEN	-	+	GREEN
/	/	/	+	-	YELLOW

ELECTRICAL CHARACTERISTICS @ 25°C

URNS RATIO

TP1	1CT : 1CT ±2%
TP2	1CT : 1CT ±2%
TP3	1CT : 1CT ±2%
TP4	1CT : 1CT ±2%
QCL @ 100kHz/100mVRMS	<0-70 Deg. C>
8mA DC BIAS	350µH MIN.
INS. LOSS	
0.1MHz TO 1MHz	-1.1 dB MAX
1MHz TO 65MHz	-0.5 dB MAX
65MHz TO 100MHz	-0.8 dB MAX
100MHz TO 125MHz	-1.2 dB MAX
RET. LOSS (MIN) @ 100 OHMS +/-15%	
0.5MHz-40MHz	-18 dB
40MHz-100MHz	-12+20LOG(f/80MHz) dB
CM TO CM REJ	
100kHz - 100MHz	-30 dB MIN
CM TO DM REJ	
100kHz - 100MHz	-35 dB MIN
HIPOT (Isolation Voltage):	1500 Vrms
100% OF PRODUCTION TESTED TO COMPLY WITH IEEE 802.3 ISOLATION REQUIREMENTS.	
LED 1	
VF (FORWARD VOLTAGE)	IF=20mA GREEN 2.2V TYP.
λD (DOMINANT WAVELENGTH)	IF=20mA GREEN 565nm TYP.
LED 2	
VF (FORWARD VOLTAGE)	IF=20mA GREEN 2.2V TYP.
	YELLOW 2.1V TYP.
λD (DOMINANT WAVELENGTH)	IF=20mA GREEN 565nm TYP.
	YELLOW 590nm TYP.



ORIGINATED BY	DATE	TITLE	PART NO. / DRAWING NO.	STANDARD DIM. TOL. IN INCH	[ ] METRIC DIM. AS REFERENCE	
CHOW WANCHONG	10-22-09	gigabit MagJack® (NanoJack) PATENTED	L8AD-1K1T-BF	.X	UNIT : INCH [mm]	
DRAWN BY	DATE			.XX	SCALE : N/A	REV. : B
LEE WEIDE	10-22-09			.XXX	SIZE : A4	PAGE : 2

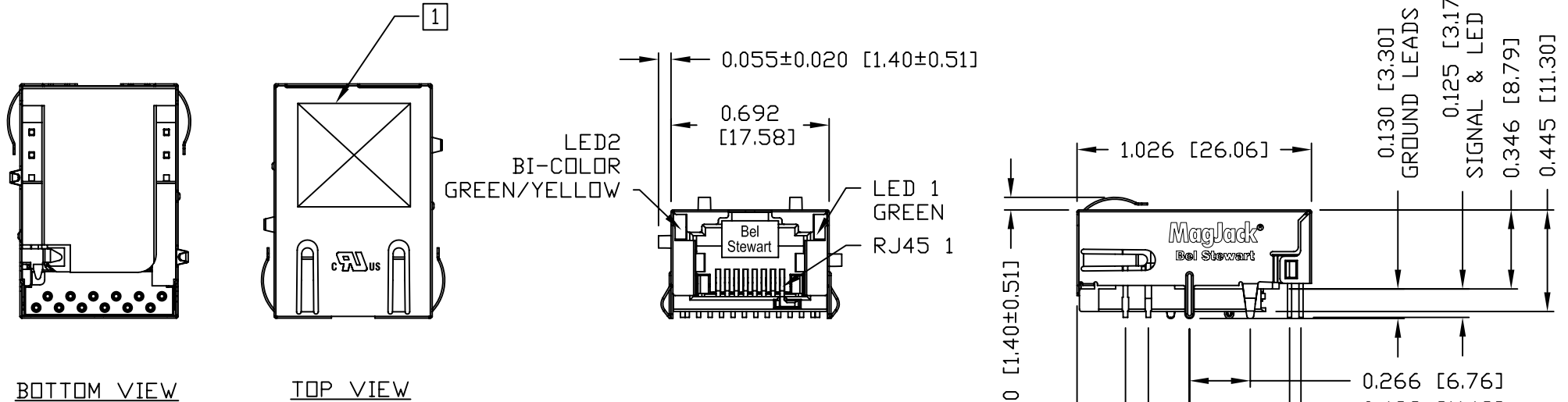


THE INFORMATION CONTAINED HEREIN IS CONSIDERED "PROPRIETARY" TO BEL FUSE INC. AND SHALL NOT BE COPIED, REPRODUCED OR DISCLOSED WITHOUT THE WRITTEN APPROVAL OF BEL FUSE INC.

RoHS  
2002/95/EC



MECHANICAL SPECIFICATION



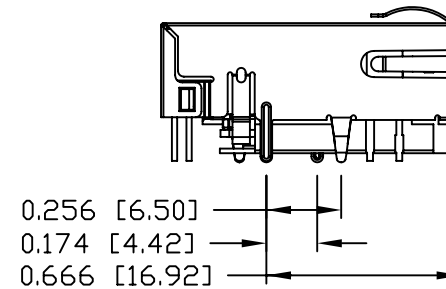
NOTES:

- PLASTIC HOUSING: THERMOPLASTIC PA  
FLAMMABILITY RATING UL 94V-0
- CONTACTS: 30 MICRO-INCH HARD GOLD PLATING
- OUTPUT PINS: TIN-COATED COPPER WIRE, DIA 0.018 INCH.
- METAL SHIELD: NICKEL PLATED ON COPPER ALLOY.  
(ALL GROUND LEADS ARE SOLDER DIPPED)

1. MARK PART WITH PART NUMBER, DATE CODE, AND "PATENTED" MARKING, THE PRODUCT IS PATENTED, THE PATENT NUMBER IS U.S. PAT. 5,736,910.

**c RL us** UL RECOGNIZED - FILE #E196366 AND E169987.

- 2. RoHS COMPLIANCE, PER EU DIRECTIVE 2002/95/EC.
- 3. JACK CAVITY CONFORMS TO FCC RULES AND REGULATIONS.



LEFT VIEW

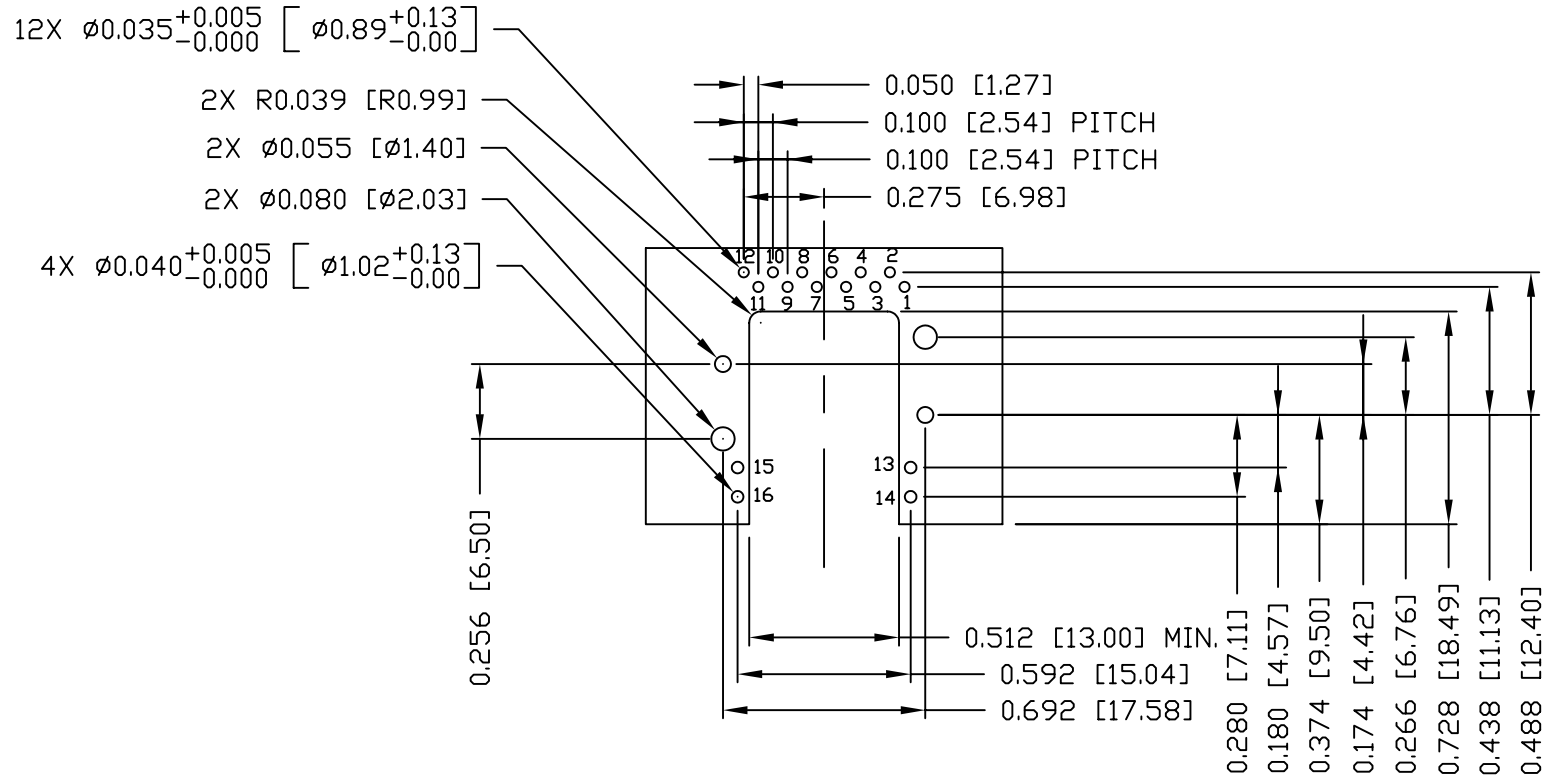
ORIGINATED BY	DATE	TITLE	PART NO. / DRAWING NO.	STANDARD DIM. TOL. IN INCH		[ ] METRIC DIM. AS REFERENCE	
				.X	.XX	UNIT : INCH [mm]	REV. : B
BILL CHEN	10-22-09	gigabit MagJack® (NanoJack) PATENTED	L8AD-1K1T-BF	.X	±0.010	SCALE : N/A	SIZE : A4
DRAWN BY	DATE			.XX		⊕	PAGE : 3
ZX HUANG	10-22-09	.XXX	L8AD-1K1T-BF_B.DWG				



THE INFORMATION CONTAINED HEREIN IS CONSIDERED "PROPRIETARY" TO BEL FUSE INC. AND SHALL NOT BE COPIED, REPRODUCED OR DISCLOSED WITHOUT THE WRITTEN APPROVAL OF BEL FUSE INC.



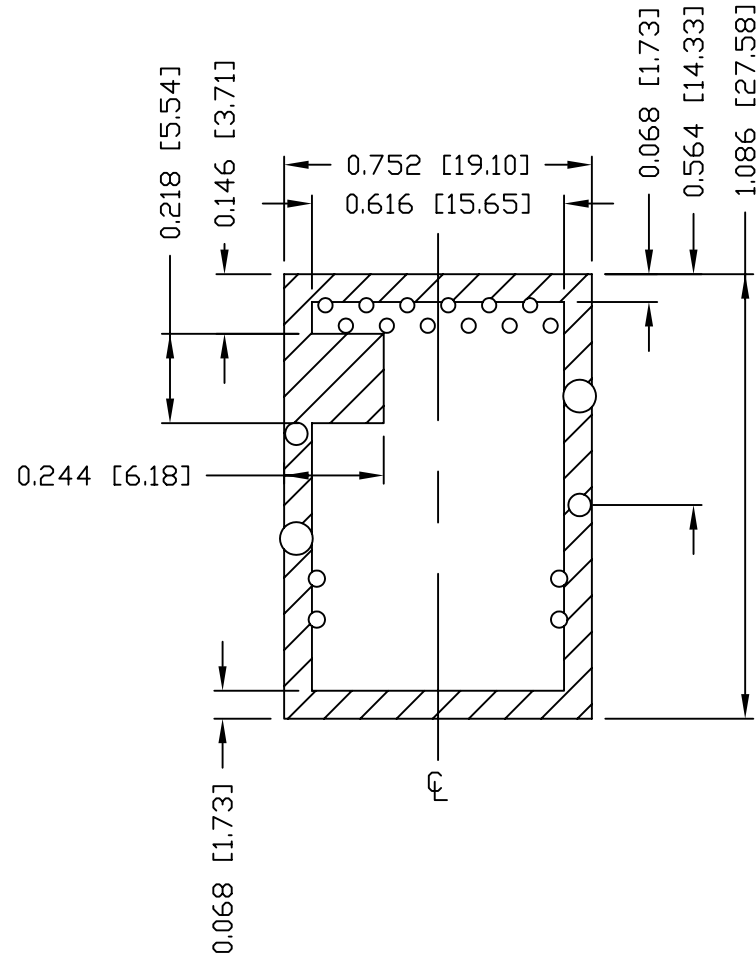
RECOMMENDED PCB FOOTPRINT  
COMPONENT SIDE VIEW



ORIGINATED BY	DATE	TITLE	PART NO. / DRAWING NO.	STANDARD DIM. TOL. IN INCH	[ ] METRIC DIM. AS REFERENCE
BILL CHEN	10-22-09	gigabit MagJack® (NanoJack) PATENTED	L8AD-1K1T-BF	.X	UNIT : INCH [mm]
DRAWN BY	DATE		FILE NAME	.XX	SCALE : N/A
ZX HUANG	10-22-09		L8AD-1K1T-BF_B.DWG	.XXX ±0.004	REV. : B
					SIZE : A4
					PAGE : 4



THE INFORMATION CONTAINED HEREIN IS CONSIDERED "PROPRIETARY" TO BEL FUSE INC. AND SHALL NOT BE COPIED, REPRODUCED OR DISCLOSED WITHOUT THE WRITTEN APPROVAL OF BEL FUSE INC.



**NOTES**

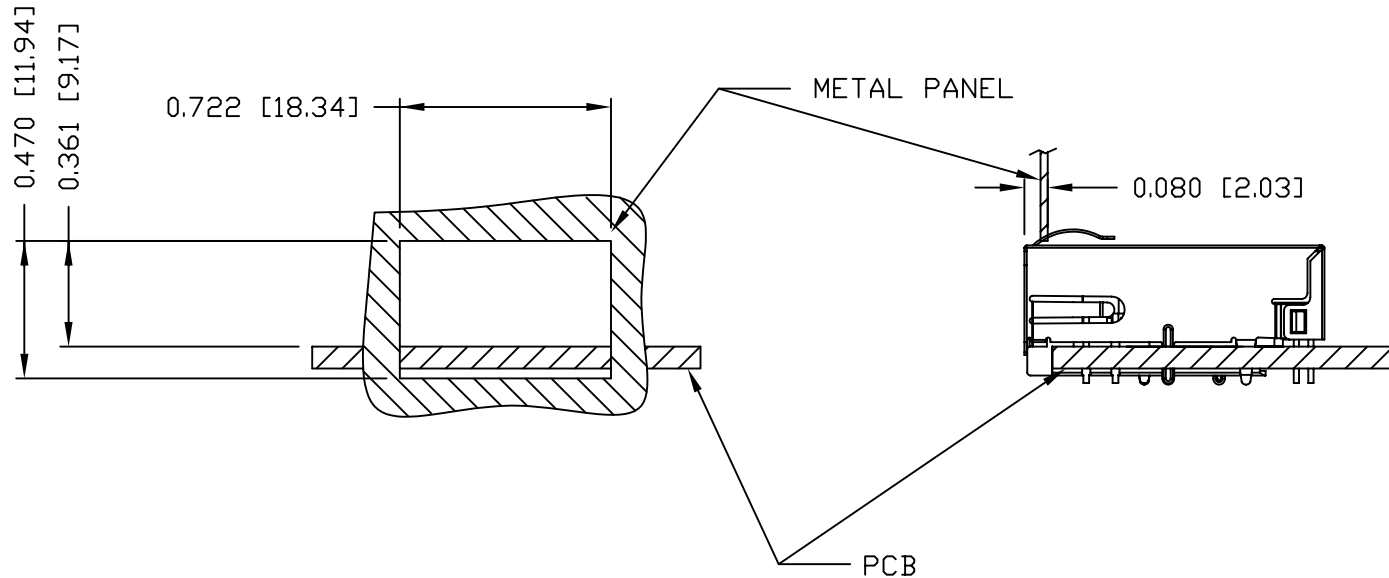
THE SHADED AREA ON THE CUSTOMER BOARD ARE RECOMMENDED TO BE CLEAR OFF ANY VIA HOLE OR COMPONENT PAD.

ORIGINATED BY BILL CHEN	DATE 10-22-09	TITLE gigabit MagJack® (NanoJack) PATENTED	PART NO. / DRAWING NO. L8AD-1K1T-BF		STANDARD DIM. TOL. IN INCH		[ ] METRIC DIM. AS REFERENCE		 COMPONENTS FOR A CONNECTED PLANET
			FILE NAME L8AD-1K1T-BF_B.DWG		.X		UNIT : INCH [mm]	REV. : B	
DRAWN BY ZX HUANG	DATE 10-22-09				.XX		SCALE : N/A	SIZE : A4	PAGE : 5
					.XXX	±0.004			

THE INFORMATION CONTAINED HEREIN IS CONSIDERED "PROPRIETARY" TO BEL FUSE INC. AND SHALL NOT BE COPIED, REPRODUCED OR DISCLOSED WITHOUT THE WRITTEN APPROVAL OF BEL FUSE INC.



SUGGESTED PANEL OPENING



NOTES:

THE DISTANCE OF PANEL INSIDE SURFACE RELATIVE TO FRONT SURFACE OF PART IS ONLY A SUGGESTION. IN CASE THIS DISTANCE IS DIFFERENT, THE REQUIRED PANEL OPENING DIMENSIONS CHANGE ACCORDINGLY.

PACKING INFORMATION

PACKING TRAY : 0200M9999-C0 (TOP)  
0200M9999-C1(BOTTOM)

PACKING QUANTITY : 54 PCS FINISHED GOODS PER TRAY  
11 TRAYS (594 PCS FINISHED GOODS) PER CARTON BOX

NOTER: CARDBOARDS ARE PLACED BETWEEN LAYERS OF PACKIING TRAY INSIDE CARTON BOX  
(INCLUDE THE UPPERMOST AND LOWERMOST TRAY)

ORIGINATED BY	DATE	TITLE	PART NO. / DRAWING NO.	STANDARD DIM. TOL. IN INCH	[ ] METRIC DIM. AS REFERENCE
BILL CHEN	10-22-09	gigabit MagJack® (NanoJack) PATENTED	L8AD-1K1T-BF	.X	UNIT : INCH [mm] REV. : B
DRAWN BY	DATE		FILE NAME	.XX	SCALE : N/A SIZE : A4
ZX HUANG	10-22-09		L8AD-1K1T-BF_B.DWG	.XXX ±0.004	⊕ PAGE : 6

