

Description

Dual center tap Schottky rectifier designed for high frequency Switched Mode Power Supplies.

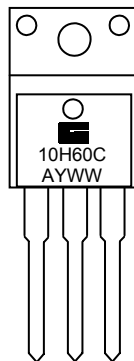
Features

- High junction temperature capability
- Good trade off between leakage current and forward voltage drop
- Low leakage current

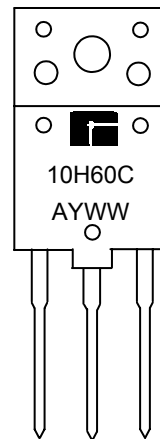
Applications

- | | |
|---------------------------|------------------------|
| ■ Switching Power Supply | ■ LCD Monitor/TV |
| ■ Industrial Application | ■ AC-DC Converter |
| ■ Computer and Peripheral | ■ DC-DC Converter |
| ■ Home Appliance | ■ Telecommunication |
| ■ Consumer Product | ■ Free Wheeling Diodes |
| ■ Battery Charger/Adapter | ■ Polarity Protection |

Marking Information and Pin Configurations (Top View)



TO - 220FPAB & TO - 220AB



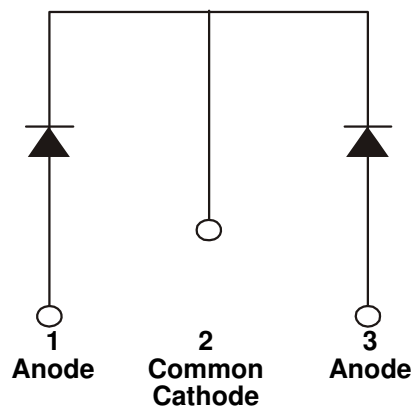
TO - 3P

10: Maximum average forward rectified current - 10A
 H: Low V_F family
 60: Repetitive peak reverse voltage - 60V
 C: Dual Cathode Common
 A: Assembly Location
 Y: Year
 WW: Work Week

Ordering Information

| ORDERING NUMBER | PACKAGE | SHIPPING |
|-----------------|-----------|----------------|
| GMR10H60CTB3T | TO220AB | 50 Units/ Tube |
| GMR10H60CTBF3T | TO220FPAB | 50 Units/ Tube |
| GMR10H60CTP3T | TO-3P | 30 Units/ Tube |

Block Diagram



Absolute Maximum Ratings

| PARAMETER | SYMBOL | VALUE | UNITS |
|--|--------------|-------------|-------|
| Repetitive Peak Reverse Voltage | V_{RPM} | 60 | V |
| RMS Forward Current | $I_{F(RMS)}$ | 10 | A |
| Peak Forward Surge Current 8.3ms single half sine-wave superimposed on rated load (JEDEC METHOD) | I_{FSM} | 135 | A |
| Maximum Operating Junction Temperature | T_J | 150 | °C |
| Operating storage temperature | T_{STG} | -45 to +150 | °C |
| Voltage Rate of Change | dV/dt | 10,000 | V/μs |
| Electrostatic Discharge Voltage. JEDEC Method. ESD HBM. Contact | V_{ESD} | ± 8 | kV |

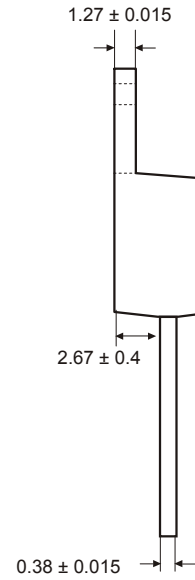
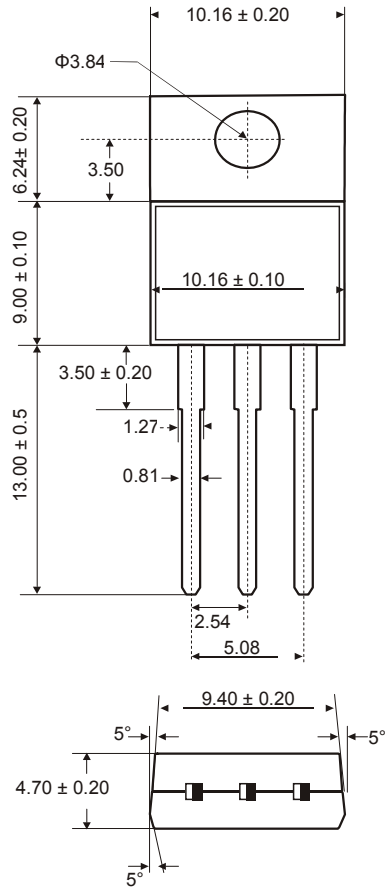
Thermal Characteristics

| PARAMETER | SYMBOL | TO220AB | TO220FPAB | TO-3PF | UNITS |
|------------------------------------|---------------|---------|-----------|--------|-------|
| Typical thermal resistance per leg | Θ_{JC} | 2.4 | 4.2 | 1.2 | °C/W |

Electrical Characteristics (per diode) $T_J = 25^\circ\text{C}$, Unless otherwise noted

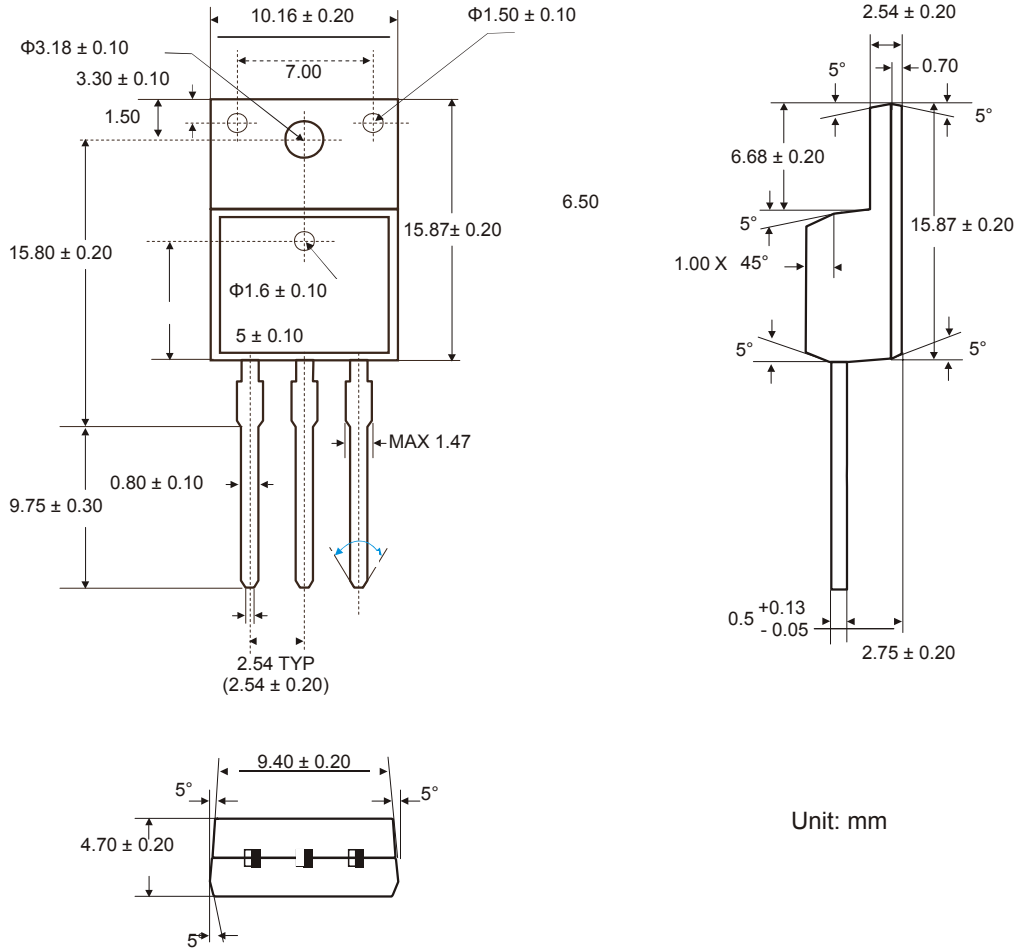
| PARAMETER | SYMBOL | Test Condition | Min | Typ | Max | Units |
|-----------------------------------|-------------|--|-----|------|------|-------|
| DC Forward Voltage | V_F | $I_F = 5\text{A}$ | | 0.73 | 0.75 | V |
| Average Rectified Forward Current | $I_{F(AV)}$ | | | | 5.0 | A |
| Maximum Reverse Current | I_R | $V_R = 150\text{V}$ | - | - | 8 | μA |
| | | $V_R = 150\text{V}, T_J = 125^\circ\text{C}$ | | - | 8 | mA |

Package Outline Dimensions – TO220AB

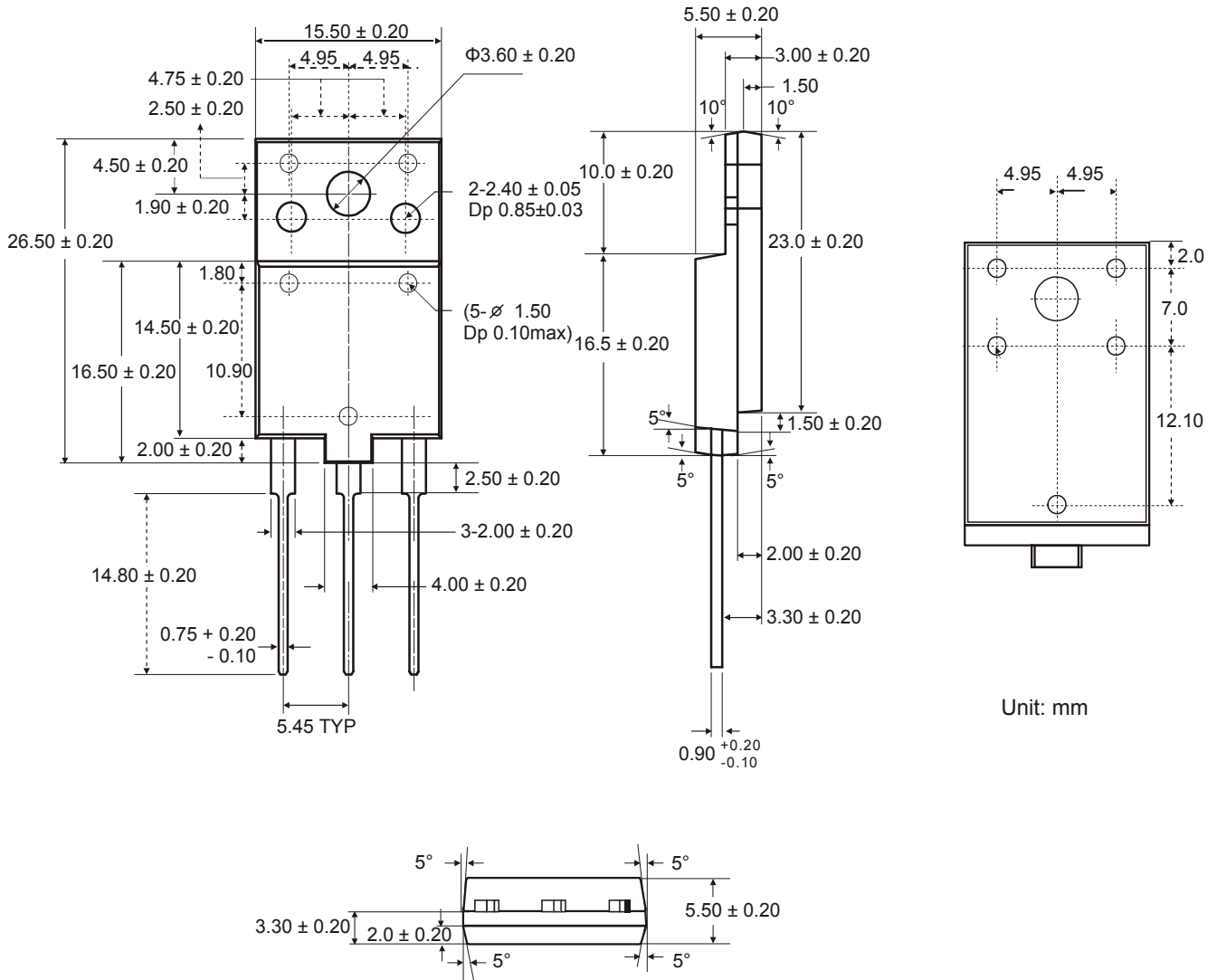


Unit: mm

Package Outline Dimensions – TO220FPAB



Package Outline Dimensions – TO-3P



Ordering Number

GM R 10 H 60 C TB3 I

APM
Gamma
Micro

Circuit
Type:
Rectifier

Rated
Current
10A

Low V_F
Family

Rated
Voltage
60V

Dual
Cathode
Common

Package
TB3: TO220AB
TBF3: TO220FPAB
TP3: TO-3P

Shipping
T: Tube