

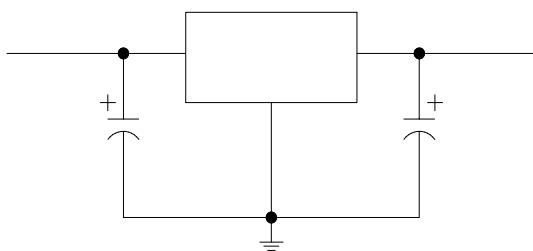
Description

GM6605 series of positive adjustable and fixed regulators is designed to provide 5A output current with low dropout voltage performance. On-chip trimming adjusts the reference voltage with an accuracy of

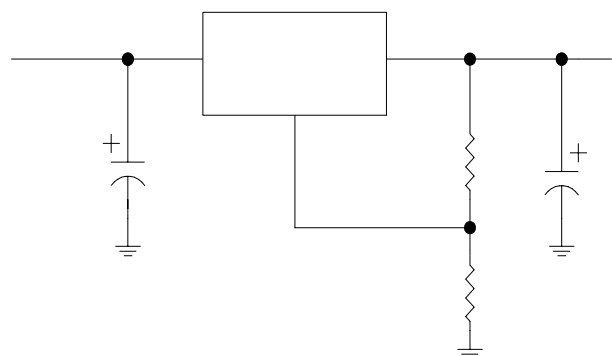
Applications

- Microprocessor Supply
- Post Regulators for Switching Supplies
- Telecommunication Systems
- Medical Equipment
- Printer Supplies
- Motherboards

Typical Application Circuit



Fixed Output Voltage Version



Adjustable Output Voltage Version

$$V_{OUT} = V_{REF} \times \left(1 + \frac{R2}{R1} \right) + I_{ADJ} \times R2$$