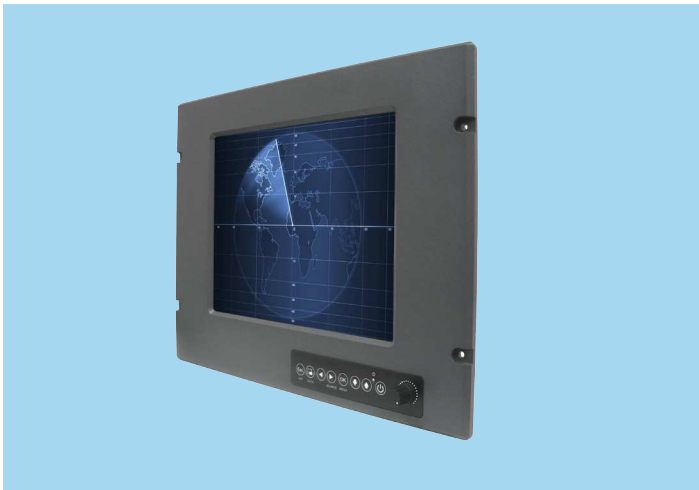


# MR10L100-M2-4RT

**10.4", 800 x 600 SVGA, Marine Monitor with Five-Wire Resistive Touchscreen, VGA and DVI Ports**



## Features and Benefits

- Rugged aluminum alloy construction with powder coating ensures stability
- Optional Transflective LCD meets sunlight readability requirements for navigation and transportation systems
- Complies with Marine/DNV standards IEC 60945, DNV 2.4, and IACS-E10
- Multiple mounting options, i.e. panel and VESA mounts
- Technical support for drivers (installing, and supporting files), and hardware (screens, monitors, controllers, peripherals), including troubleshooting procedures and general system issues
- Customer service and sales support help with product selection, order management, and warranty status

## Introduction

AIS 10.4" marine grade monitors comply with marine equipment standards IEC 60945, DNV 2.4, and IACS-E10 (international standard for maritime navigation and radio communications equipment and systems) for harsh maritime environment requiring low EMI or long-term vibration resilience. Designed for bridge control display, navigation, monitoring and surveillance, and ship automation applications; AIS displays comply with anti-shock, anti-vibration, and can be customized to include options i.e. sunlight readable transflective LCD displays and 3mm anti-reflective protection glass.

## Specifications

Display	
Display	10.4" diagonal, Active matrix TFT LCD Optional features: 3mm Anti-reflective Protection Glass or/and Transflective Liquid Crystal Display
Aspect Ratio	4:3
Active/Area	211.2 (H) x 158.4 (V) mm
Native (Optimal) Resolution	800 x 600
General Supported Resolution	VGA 640 x 480 (60/66/70/72/75 Hz) SVGA 800 x 600 (60/70/72/75 Hz)
Colors	16.2M (8 bits + FRC)
Brightness (Typical)	LCD Panel: 400 nits Resistive Touch: 320 nits
Contrast Ratio	500:1
Viewing Angle	Horizontal: 140° Total Vertical: 110° Total
On-Screen Display (OSD)	Controls (back): menu, up, down, select, power Settings: contrast, brightness, H/V position, RGB (color temp), clock, phase, recall

Input Video Signal Connector	S-Video (SVHS) Plug
Touch Technology	Resistive (D-SUB 9P Pin connector : Touch Interface)
General	
Power Consumption (Typical)	21W
MTBF	50,000 Hours Demonstrated
Mounting Options	75 mm VESA Mount
Input Voltage	AC: 100-240 VAC, 50/60 Hz DC: 24 V±10% (Isolated Power Module)
Environmental Conditions	
Temperature	Operating: -10°C to 55°C (-14°F to 131°F) Storage: -20°C to 60°C (-4°F to 140°F)
Humidity (Non-condensing)	Operating: 5%-95% Storage: 5%-95%
Approvals	
Approvals	IEC 60945, DNV 2.4, IACS-E10 ; DNV Type Approval, CE, FCC Class B

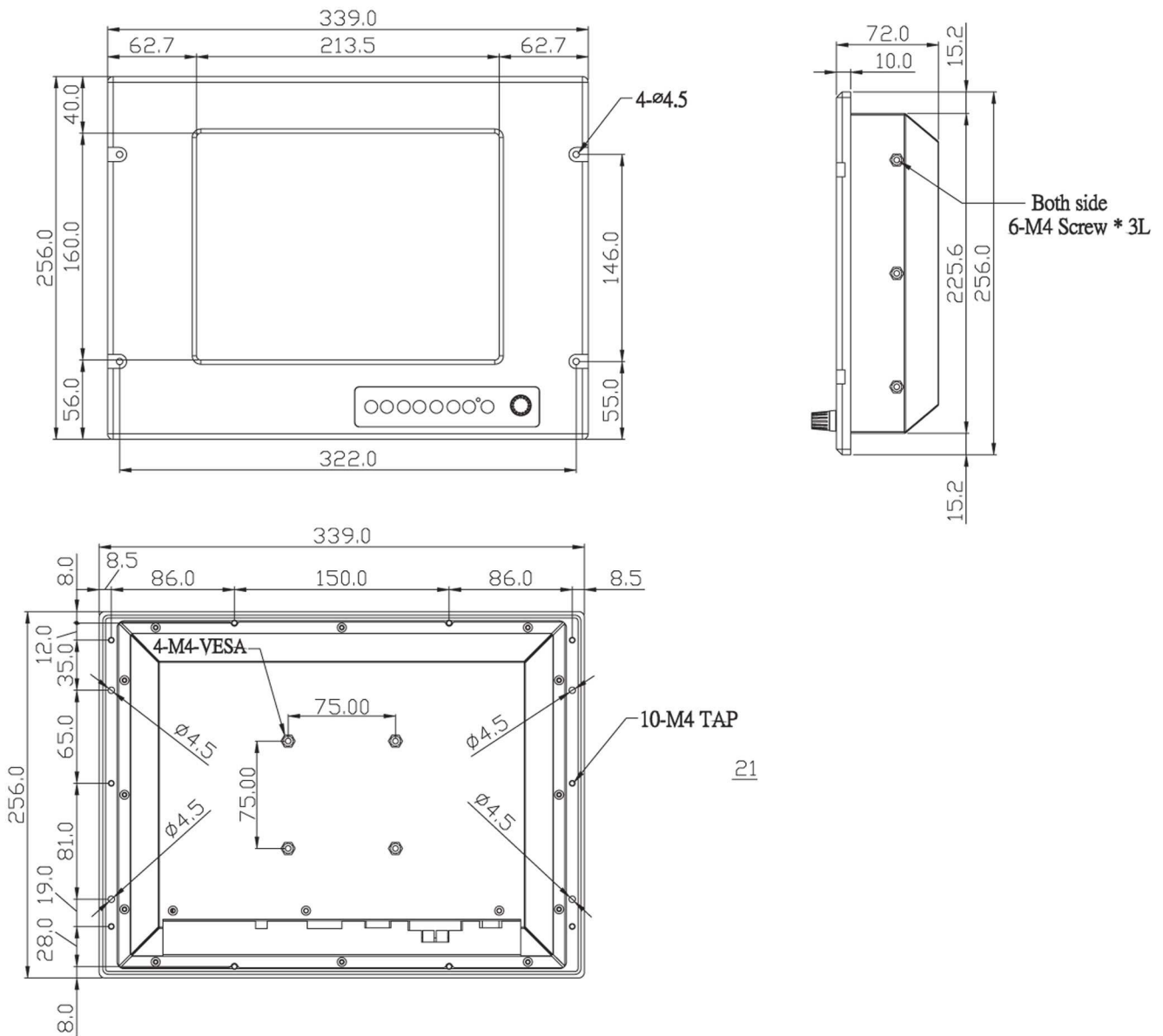
## Order Information

**MR10L100-M2-4RT:** 10.4" Marine Monitor with Five-Wire Resistive Touchscreen, 800 x 600 SVGA, 500:1 contrast ratio, VGA and DVI Ports

# MR10L100-M2-4RT

# Dimensions

Unit: mm



21