

THE INFORMATION CONTAINED HEREIN IS CONSIDERED 'PROPRIETARY' TO BEL FUSE INC. AND SHALL NOT BE COPIED, REPRODUCED OR DISCLOSED WITHOUT THE WRITTEN APPROVAL OF BEL FUSE INC.

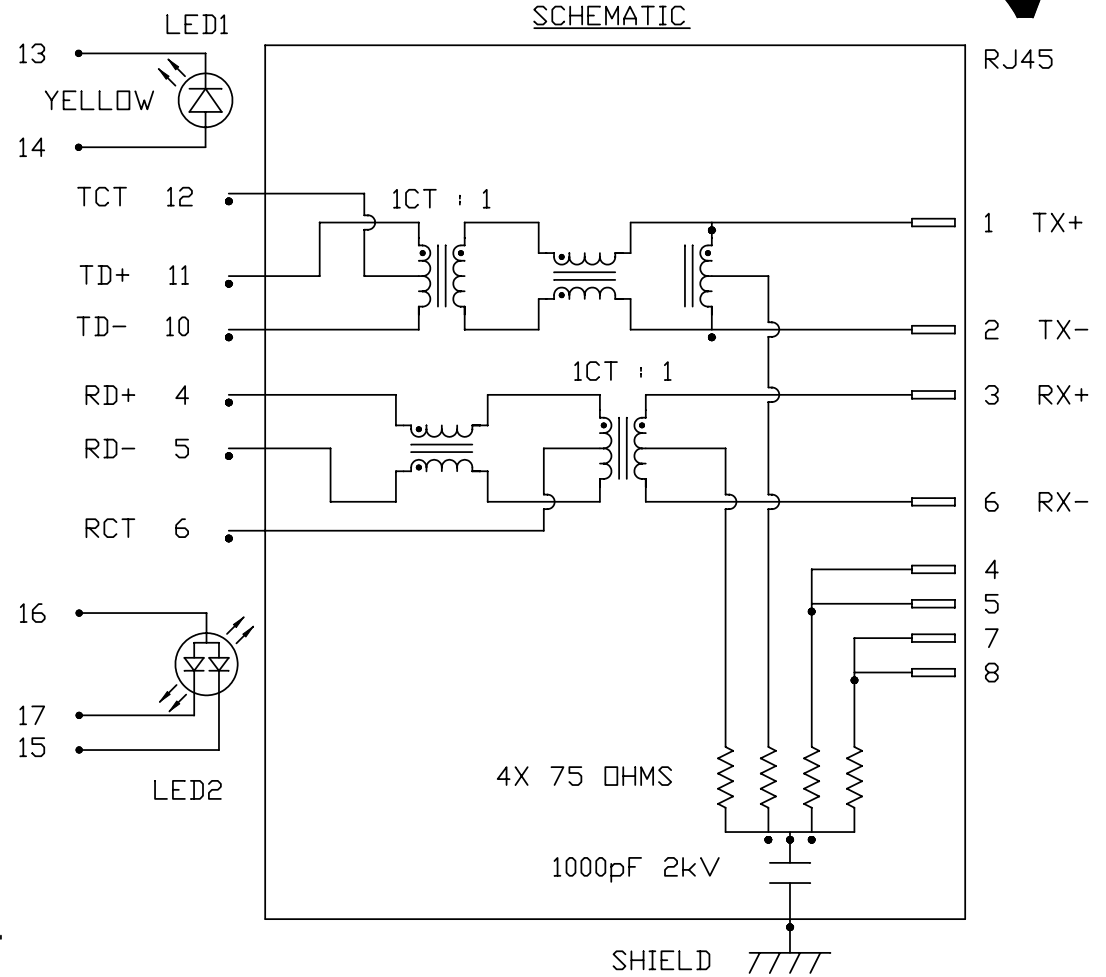


LED1 POLARITY			LED2 POLARITY			
PIN 13	PIN 14	COLOR	PIN 15	PIN 16	PIN 17	COLOR
-	+	YELLOW	-	+	/	ORANGE
/	/	/	-	+	-	GREEN
/	/	/	-	+	-	MIXED YELLOW

ELECTRICAL CHARACTERISTICS @ 25°C

TURNS RATIO
 TX 1CT : 1
 RX 1CT : 1
 QCL @ 100kHz/100mVRMS
 8mA DC BIAS (0-70°C) 350µH MIN.
 INS. LOSS
 1MHZ TO 100MHZ -1.0 dB MAX
 RET. LOSS (MIN) @ 100 OHMS +/- 15%
 1MHZ-30MHZ -18 dB
 30MHZ-60MHZ -18+20LOG(f/30MHZ) dB
 60MHZ-80MHZ -12 dB
 CM TO CM REJ
 100kHz - 100MHZ -30 dB MIN
 CM TO DM REJ
 100kHz - 100MHZ -35 dB MIN
 HIPOT (Isolation Voltage): 1500 Vrms
 100% OF PRODUCTION TESTED TO COMPLY WITH
 IEEE 802.3 ISOLATION REQUIREMENTS.
 LED 1
 VF (FORWARD VOLTAGE) IF=20mA YELLOW 2.1V TYP.
 λD (DOMINANT WAVELENGTH) IF=20mA YELLOW 590nm TYP.
 LED 2
 VF (FORWARD VOLTAGE) IF=20mA YELLOW GREEN 2.2V TYP.
 AMBER 2.1V TYP.
 λD (DOMINANT WAVELENGTH) IF=20mA YELLOW GREEN 570nm TYP.
 AMBER 607nm TYP.
 MIXED YELLOW DOES NOT HAVE SPECIFIC WAVELENGTH.

COMMON 16
 GREEN 17
 ORANGE 15



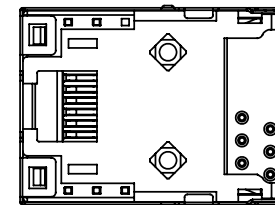
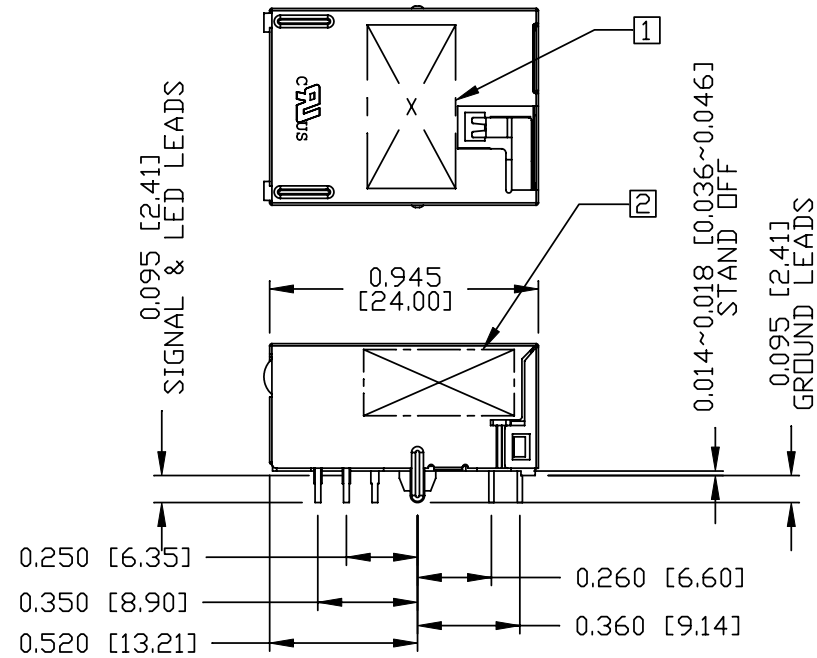
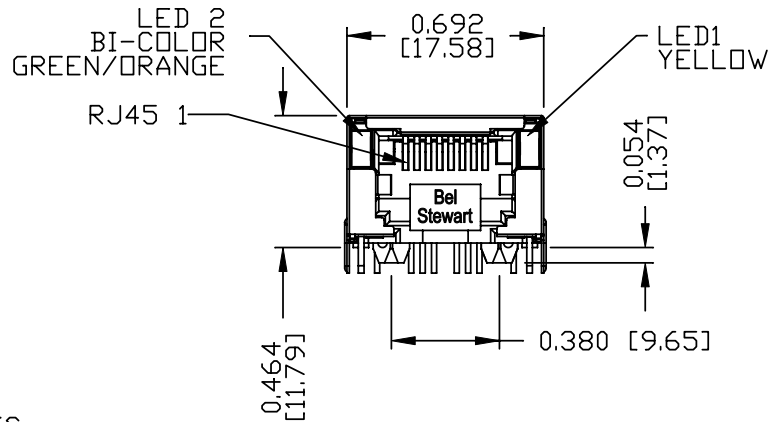
ORIGINATED BY	DATE	TITLE	PART NO. / DRAWING NO.	STANDARD DIM. TOL. IN INCH	[] METRIC DIM. AS REFERENCE
WANGCHUNG CHOW	11-29-10	10/100 MagJack®	L840-1JX1-47	.X	UNIT : INCH [mm] REV. : B
DRAWN BY	DATE	(Ultra Low Profile)	FILE NAME	.XX	SCALE : N/A SIZE : A4
LEE WEIDE	11-29-10	PATENTED	L840-1JX1-47_B.DWG	.XXX	PAGE : 2



THE INFORMATION CONTAINED HEREIN IS CONSIDERED "PROPRIETARY" TO BEL FUSE INC. AND SHALL NOT BE COPIED, REPRODUCED OR DISCLOSED WITHOUT THE WRITTEN APPROVAL OF BEL FUSE INC.

MECHANICAL SPECIFICATION

RoHS
2002/95/EC



NOTES:

- PLASTIC HOUSING: THERMOPLASTIC PA
FLAMMABILITY RATING UL 94V-0
- CONTACTS: 30 MICRO-INCH HARD GOLD PLATING
- OUTPUT PINS: TIN-COATED COPPER WIRE, DIA 0.018 INCH.
- METAL SHIELD: NICKEL PLATED ON COPPER ALLOY.
(ALL GROUND LEADS ARE SOLDER DIPPED)

- 1. MARK PART WITH PART NUMBER (L840-1JX1-47)
DATE CODE AND PATENTED.
 - 2. MARK PART WITH MFG. LOGO, MFG. NAME.
 - 3. RoHS COMPLIANCE, PER EU DIRECTIVE 2002/95/EC.
 - 4. JACK CAVITY CONFORMS TO FCC RULES AND REGULATIONS.
 - 5. THE PRODUCT IS PATENTED, THE PATENT NUMBER ARE
U.S. PAT. 5,736,910 AND U.S. PAT. 6,840,817
- REMARK:
WE HAVE NO HOUSING AND METAL SHIELD TOOLING
FOR SAMPLE BUILDING.

UL USUL RECOGNIZED - FILE #E196366 AND E169987.

ORIGINATED BY CHEN BILL	DATE 11-29-10	TITLE 10/100 MagJack® (Ultra Low Profile) PATENTED	PART NO. / DRAWING NO. L840-1JX1-47	STANDARD DIM. TOL. IN INCH	[] METRIC DIM. AS REFERENCE
DRAWN BY HE ZHEN	DATE 11-29-10		FILE NAME L840-1JX1-47_B.DWG	.X .XX .XXX	UNIT : INCH [mm] SCALE : N/A REV. : B SIZE : A4 PAGE : 3
				±0.010	

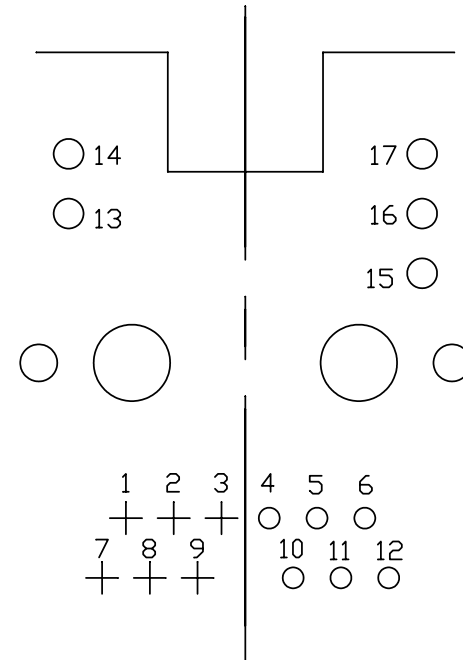
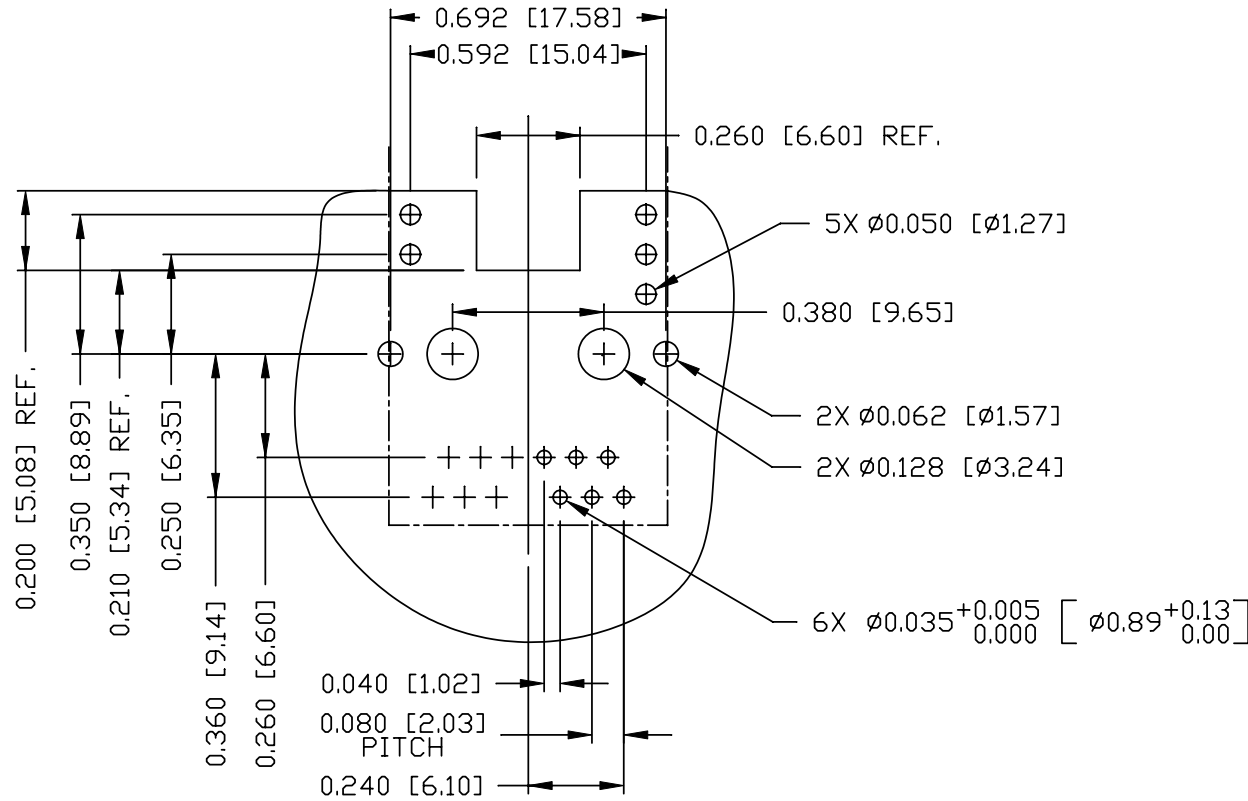
THE INFORMATION CONTAINED HEREIN IS CONSIDERED "PROPRIETARY" TO BEL FUSE INC. AND SHALL NOT BE COPIED, REPRODUCED OR DISCLOSED WITHOUT THE WRITTEN APPROVAL OF BEL FUSE INC.

RoHS
2002/95/EC



RECOMMENDED PCB FOOTPRINT

COMPONENT SIDE VIEW



PIN-OUT INFORMATION

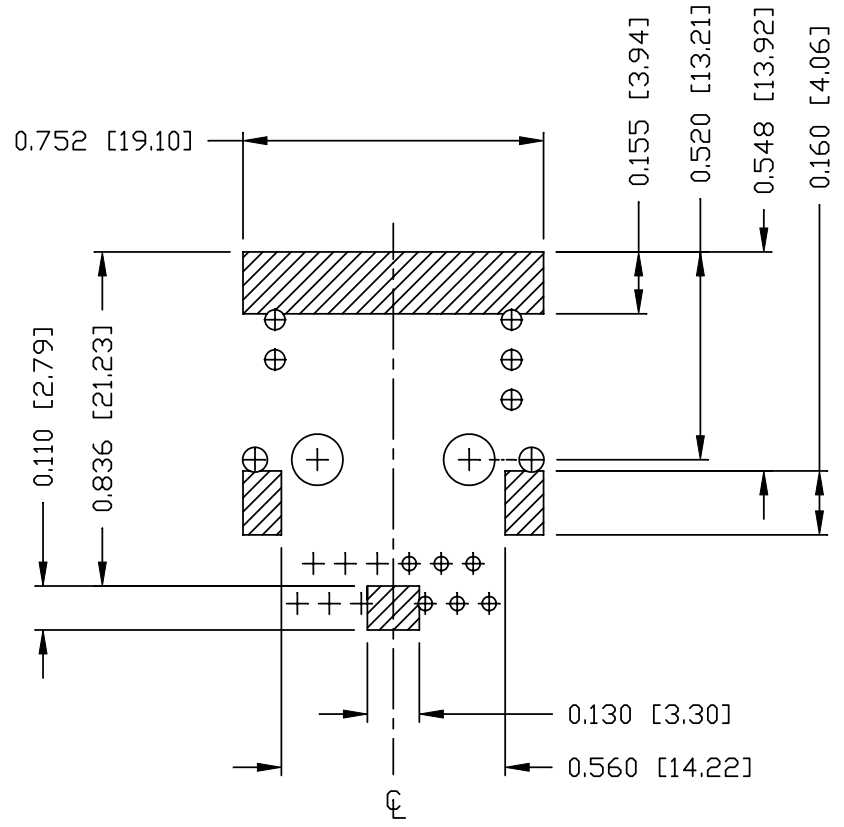
(SCALE 1.5:1)

FOR ONE UNIT

ORIGINATED BY CHEN BILL	DATE 11-29-10	TITLE 10/100 MagJack® (Ultra Low Profile) PATENTED	PART NO. / DRAWING NO. L840-1JX1-47	STANDARD DIM. TOL. IN INCH	[] METRIC DIM. AS REFERENCE	
DRAWN BY HE ZHEN	DATE 11-29-10		FILE NAME L840-1JX1-47_B.DWG	.X .XX .XXX	UNIT : INCH [mm] SCALE : N/A	REV. : B SIZE : A4 PAGE : 4



THE INFORMATION CONTAINED HEREIN IS CONSIDERED "PROPRIETARY" TO BEL FUSE INC. AND SHALL NOT BE COPIED, REPRODUCED OR DISCLOSED WITHOUT THE WRITTEN APPROVAL OF BEL FUSE INC.



NOTES

THE SHADED AREA ON THE CUSTOMER BOARD ARE RECOMMENDED TO BE CLEAR OFF ANY VIA HOLE OR COMPONENT PAD.

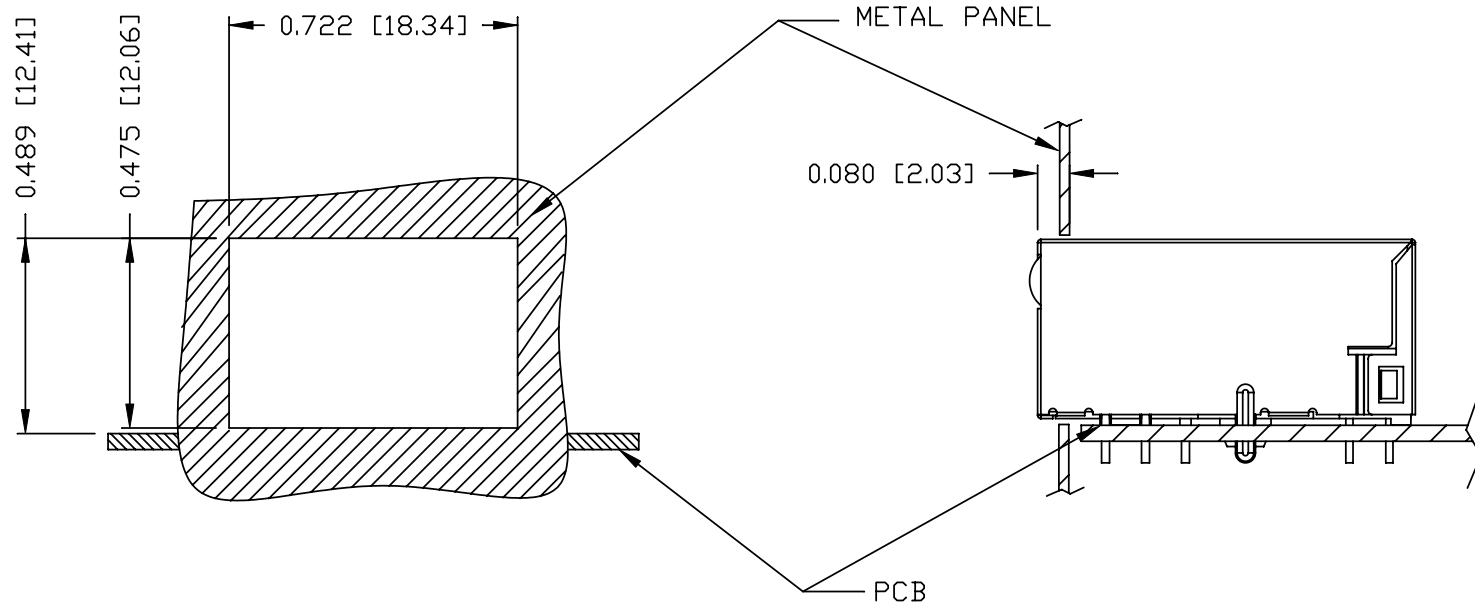
ORIGINATED BY CHEN BILL	DATE 11-29-10	TITLE 10/100 MagJack® (Ultra Low Profile) PATENTED	PART NO. / DRAWING NO. L840-1JX1-47		STANDARD DIM. TOL. IN INCH		[] METRIC DIM. AS REFERENCE		 COMPONENTS FOR A CONNECTED PLANET
			FILE NAME L840-1JX1-47_B.DWG		.X		UNIT : INCH [mm]	REV. : B	
DRAWN BY HE ZHEN		DATE 11-29-10		.XX		SCALE : N/A	SIZE : A4		
				.XXX	±0.004		PAGE : 5		

THE INFORMATION CONTAINED HEREIN IS CONSIDERED "PROPRIETARY" TO BEL FUSE INC. AND SHALL NOT BE COPIED, REPRODUCED OR DISCLOSED WITHOUT THE WRITTEN APPROVAL OF BEL FUSE INC.

RoHS
2002/95/EC



SUGGESTED PANEL OPENING



NOTE:

THE DISTANCE OF PANEL INSIDE SURFACE RELATIVE TO FRONT SURFACE OF PART IS ONLY A SUGGESTION. IN CASE THIS DISTANCE IS DIFFERENT, THE REQUIRED PANEL OPENING DIMENSIONS CHANGE ACCORDINGLY.

TRAY PACKING INFORMATION

PACKING TRAY : 0200-9999-E4 (TOP)

0200-9999-E5 (BOTTOM)

PACKING QUANTITY : 60 PCS FINISHED GOODS PER TRAY

11 TRAYS (660 PCS FINISHED GOODS) PER CARTON BOX

NOTE : CARDBOARDS ARE PLACED BETWEEN LAYERS OF PACKING TRAY INSIDE CARTON BOX

(INCLUDE THE UPPERMOST AND LOWERMOST TRAY)

ORIGINATED BY	DATE	TITLE	PART NO. / DRAWING NO.	STANDARD DIM. TOL. IN INCH	[] METRIC DIM. AS REFERENCE
CHEN BILL	11-29-10	10/100 MagJack® (Ultra Low Profile) PATENTED	L840-1JX1-47	.X	UNIT : INCH [mm] REV. : B
DRAWN BY	DATE		FILE NAME	.XX	SCALE : N/A SIZE : A4
HE ZHEN	11-29-10		L840-1JX1-47_B.DWG	.XXX	±0.004
					SCALE : N/A SIZE : A4 PAGE : 6

