

THE INFORMATION CONTAINED HEREIN IS CONSIDERED "PROPRIETARY" TO BEL FUSE INC. AND SHALL NOT BE COPIED, REPRODUCED OR DISCLOSED WITHOUT THE WRITTEN APPROVAL OF BEL FUSE INC.

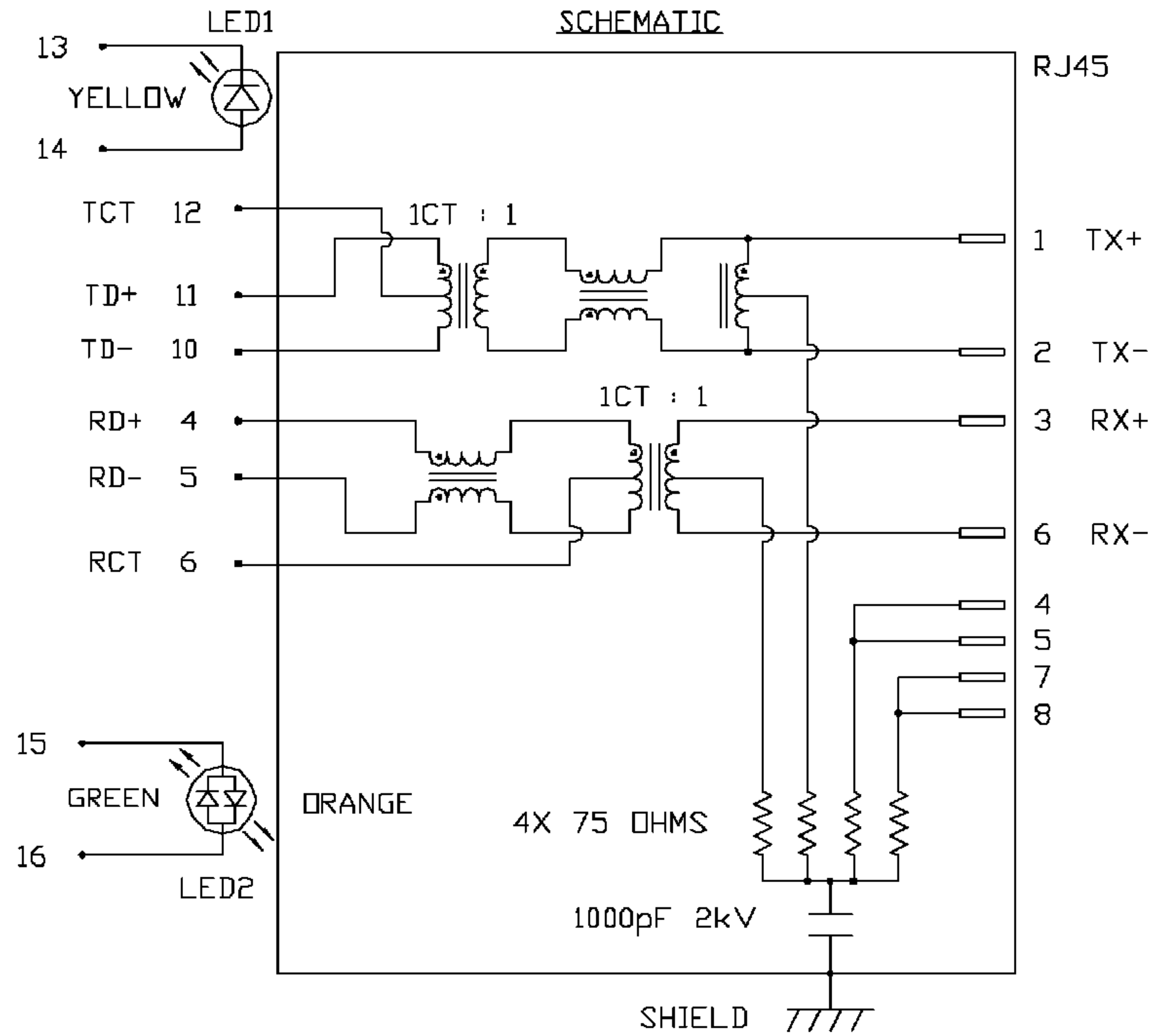
PRELIMINARY



| LED1 POLARITY |        |        | LED2 POLARITY |        |        |
|---------------|--------|--------|---------------|--------|--------|
| PIN 13        | PIN 14 | COLOR  | PIN 15        | PIN 16 | COLOR  |
| -             | +      | YELLOW | -             | +      | GREEN  |
| /             | /      | /      | +             | -      | ORANGE |

**ELECTRICAL CHARACTERISTICS @ 25°C**

TURNS RATIO  
 TX 1CT : 1  
 RX 1CT : 1  
 OCL @ 100kHz/100mVRMS  
 8mA DC BIAS (0-70°C) 350uH MIN.  
 INS. LOSS  
 1MHz TO 100MHz -1.0 dB MAX  
 RET. LOSS (MIN) @ 100 OHMS +/- 15%  
 1MHz-30MHz -18 dB  
 30MHz-60MHz -18+20LOG(f/30MHz) dB  
 60MHz-80MHz -12 dB  
 CM TO CM REJ  
 100kHz - 100MHz -30 dB MIN  
 CM TO DM REJ  
 100kHz - 100MHz -35 dB MIN  
 HIPOT (Isolation Voltage): 1500 Vrms / 2250VDC  
 100% OF PRODUCT TESTED IN PRODUCTION  
 LED 1  
 VF (FORWARD VOLTAGE) IF=20mA YELLOW 2.1V TYP.  
 λD (DOMINANT WAVELENGTH) IF=20mA YELLOW 590nm TYP.  
 LED 2  
 VF (FORWARD VOLTAGE) IF=20mA GREEN 2.2V TYP.  
 ORANGE 2.0V TYP.  
 λD (DOMINANT WAVELENGTH) IF=20mA GREEN 565nm TYP.  
 ORANGE 610nm TYP.



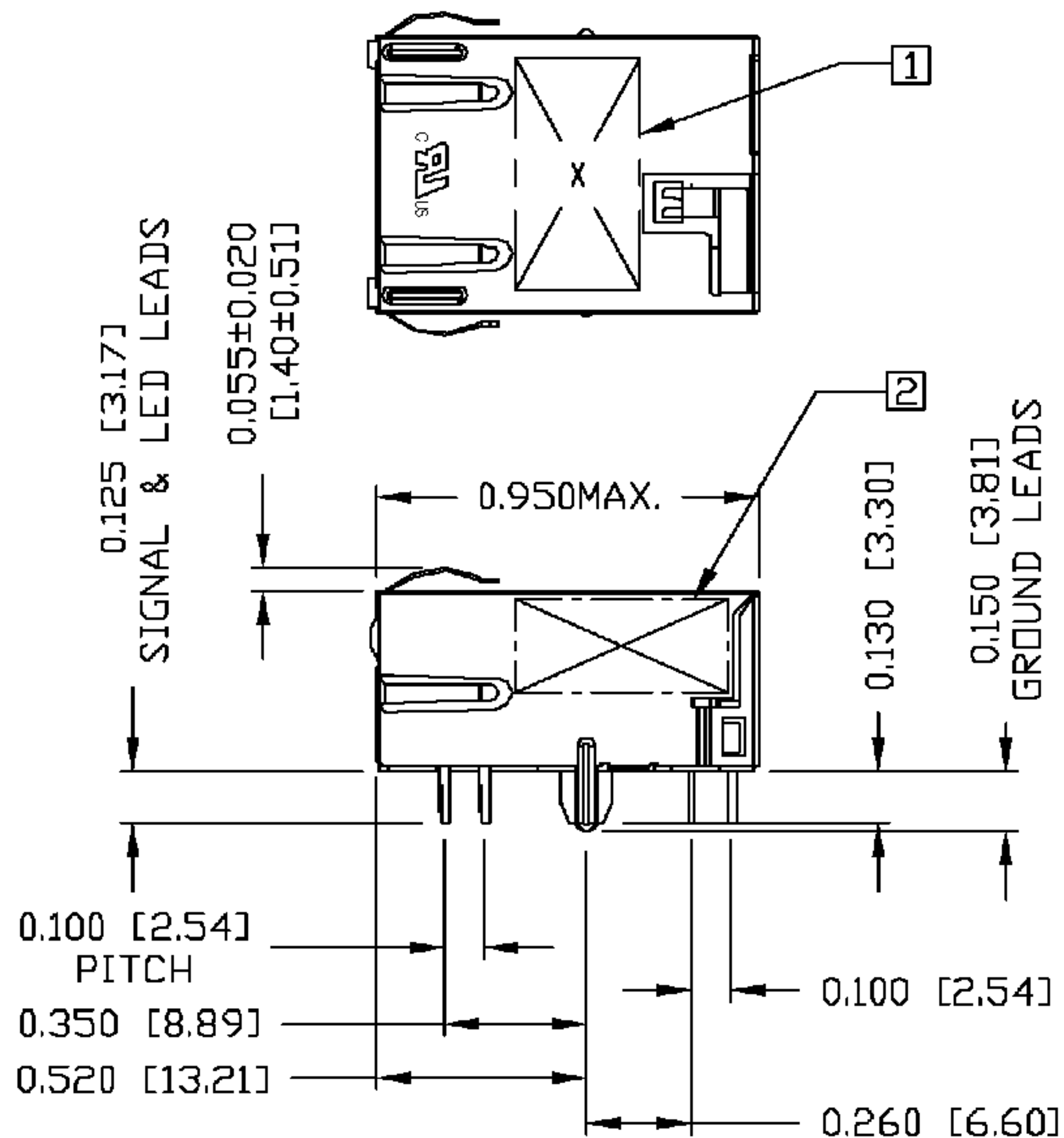
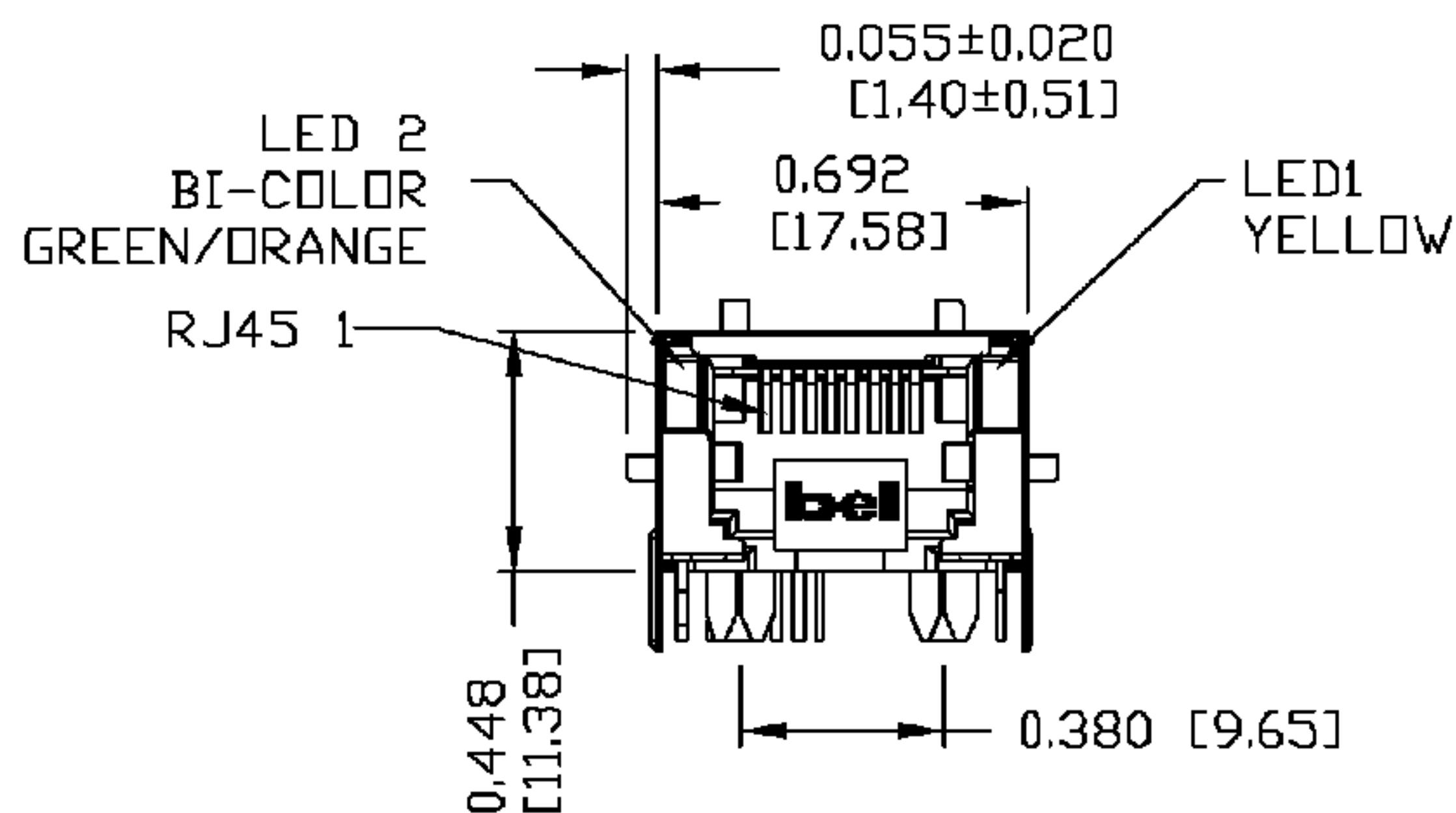
|                        |                  |  |  |   |   |                                    |   |
|------------------------|------------------|--|--|---|---|------------------------------------|---|
| ORIGINATED BY<br>CHUNG | DATE<br>12-04-06 | TITLE<br>10/100 MagJack ®<br>(Tab Down Version)<br>(Ultra Low Profile) | PART NO. / DRAWING NO.<br>L836-1X1T-47 | STANDARD DIM.<br>TOL. IN INCH<br>X<br>XX<br>XXX | [ ] METRIC DIM. AS REFERENCE<br>UNIT : INCH [mm]<br>SCALE : N/A | REV. : PA<br>SIZE : A4<br>PAGE : 2 | bel<br>COMPONENTS OR<br>CONNECTED<br>PLANET |
| DRAWN BY<br>DE         | DATE<br>12-04-06 |  | FILE NAME<br>L8361XT147PA.DWG          |   |   |                                    |   |

THE INFORMATION CONTAINED HEREIN IS CONSIDERED "PROPRIETARY" TO BEL FUSE INC. AND SHALL NOT BE COPIED, REPRODUCED OR DISCLOSED WITHOUT THE WRITTEN APPROVAL OF BEL FUSE INC.

MECHANICAL SPECIFICATION

PRELIMINARY

RoHS  
2002/95/EC



NOTES:

- PLASTIC HOUSING: THERMOPLASTIC PA 46.
- FLAMMABILITY RATING UL 94V-0
- CONTACTS: 30 MICRO-INCH HARD GOLD PLATING
- OUTPUT PINS: TIN-COATED COPPER WIRE, DIA 0.018 INCH.
- METAL SHIELD: NICKEL PLATED ON COPPER ALLOY.
- (ALL GROUND LEADS ARE SOLDER DIPPED)

- [1] MARK PART WITH PART NUMBER(L836-1X1T-47) AND DATE CODE.
- [2] MARK PART WITH MFG. LOGO, MFG. NAME.
- 3. RoHS COMPLIANCE, PER EU DIRECTIVE 2002/95/EC.
- UL US UL RECOGNIZED - FILE #E196366 AND E169987.
- JACK CAVITY CONFORMS TO FCC RULES AND REGULATIONS.

|                           |                  |   |  |  |                               |        |                              |           |  |
|---------------------------|------------------|---|--|--|-------------------------------|--------|------------------------------|-----------|--|
| ORIGINATED BY<br>QIN/BILL | DATE<br>12-04-06 | TITLE<br>10/100 MagJack®<br>(Tab Down Version)<br>(Ultra Low Profile) | PART NO. / DRAWING NO.<br>L836-1X1T-47 |  | STANDARD DIM.<br>TOL. IN INCH |        | [ ] METRIC DIM. AS REFERENCE |           | <br>COMPONENTS FROM A<br>CONNECTED<br>PLANET |
|                           |                  |   | FILE NAME<br>L8361X1T47PA.DWG          |  | .X                            |        | UNIT : INCH [mm]             | REV. : PA |  |
| DRAWN BY<br>TING          | DATE<br>12-04-06 |   |  |  | .XX                           |        | SCALE : N/A                  | SIZE : A4 |  |
|                           |                  |   |  |  | .XXX                          | ±0.010 |                              | PAGE : 3  |  |

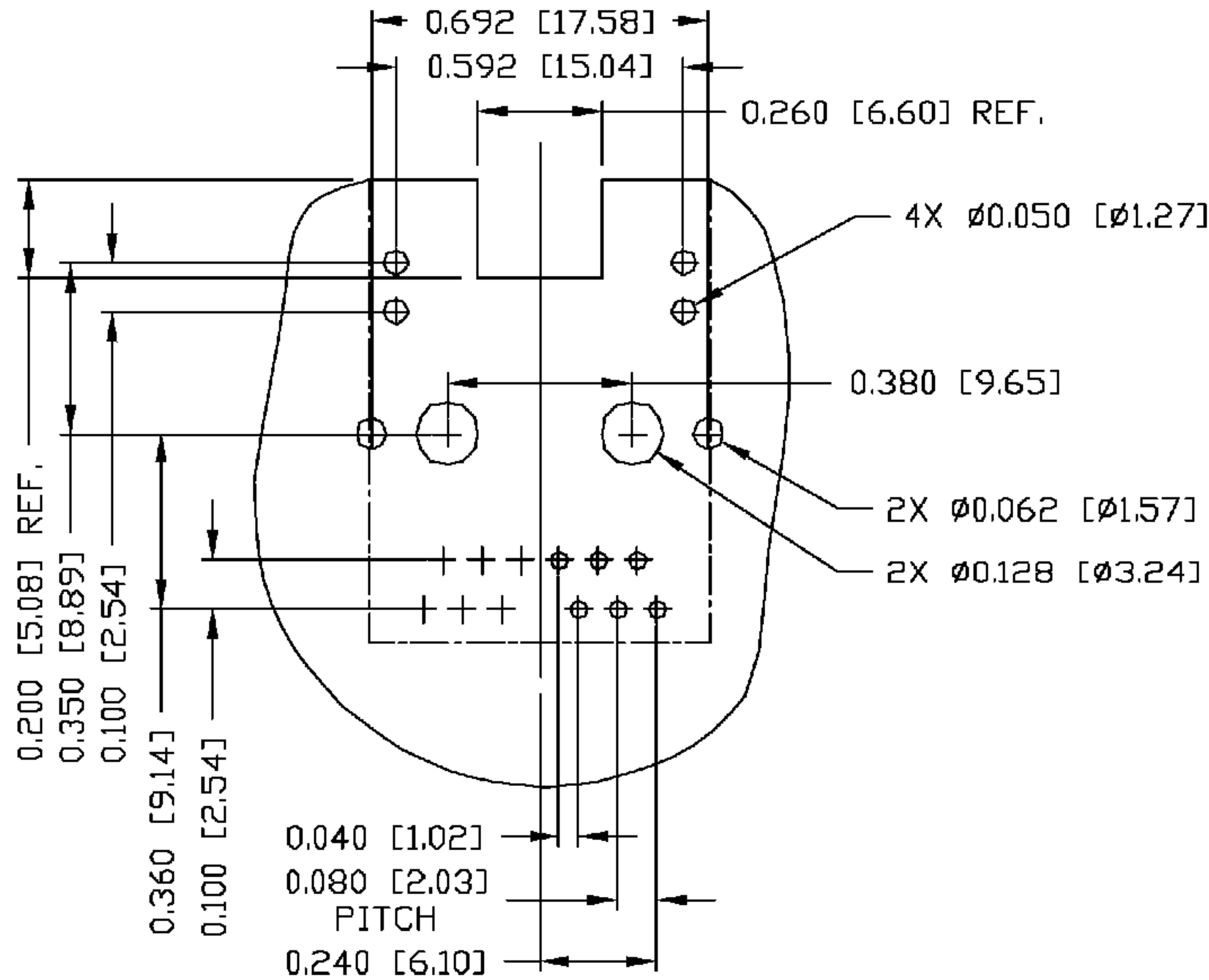
THE INFORMATION CONTAINED HEREIN IS CONSIDERED "PROPRIETARY" TO BEL FUSE INC. AND SHALL NOT BE COPIED, REPRODUCED OR DISCLOSED WITHOUT THE WRITTEN APPROVAL OF BEL FUSE INC.

RoHS  
2002/95/EC

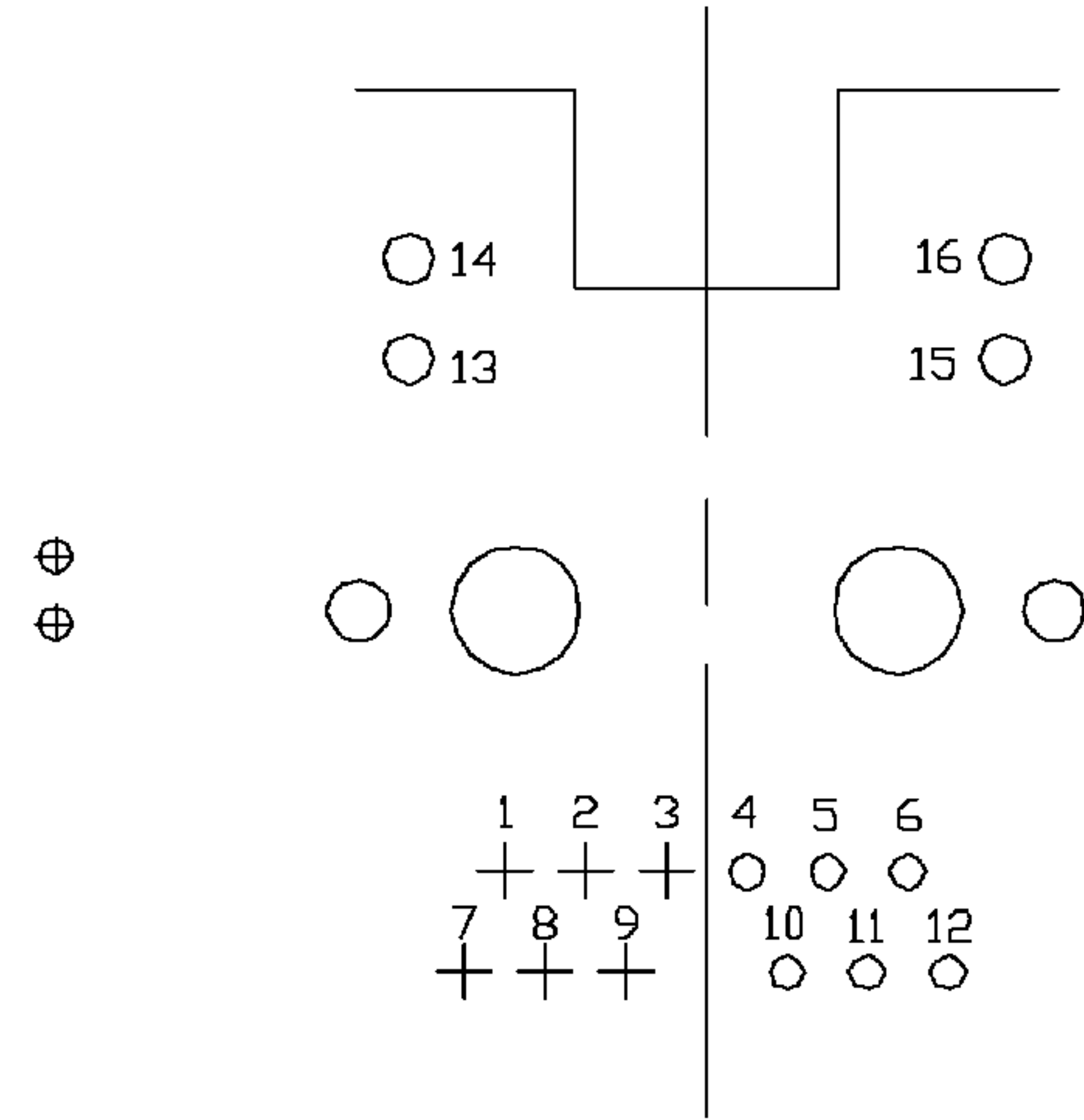


PRELIMINARY

RECOMMENDED PCB FOOTPRINT  
COMPONENT SIDE VIEW



FOR ONE UNIT



PIN-OUT INFORMATION

(SCALE 1.5:1)

|                           |                  |   |  |                               |   |
|---------------------------|------------------|---|--|-------------------------------|---|
| ORIGINATED BY<br>QIN/BILL | DATE<br>12-04-06 | TITLE<br>10/100 MagJack®<br>(Tab Down Version)<br>(Ultra Low Profile) | PART NO. / DRAWING NO.<br>L836-1X1T-47 | STANDARD DIM.<br>TOL. IN INCH | [ ] METRIC DIM. AS REFERENCE  |
| DRAWN BY<br>TING          | DATE<br>12-04-06 |   | FILE NAME<br>L8361X1T47PA.DWG          | .X<br>.XX<br>.XXX ±0.004      | UNIT : INCH [mm]<br>SCALE : N/A<br>REV. : PA<br>SIZE : A4<br>PAGE : 4 |



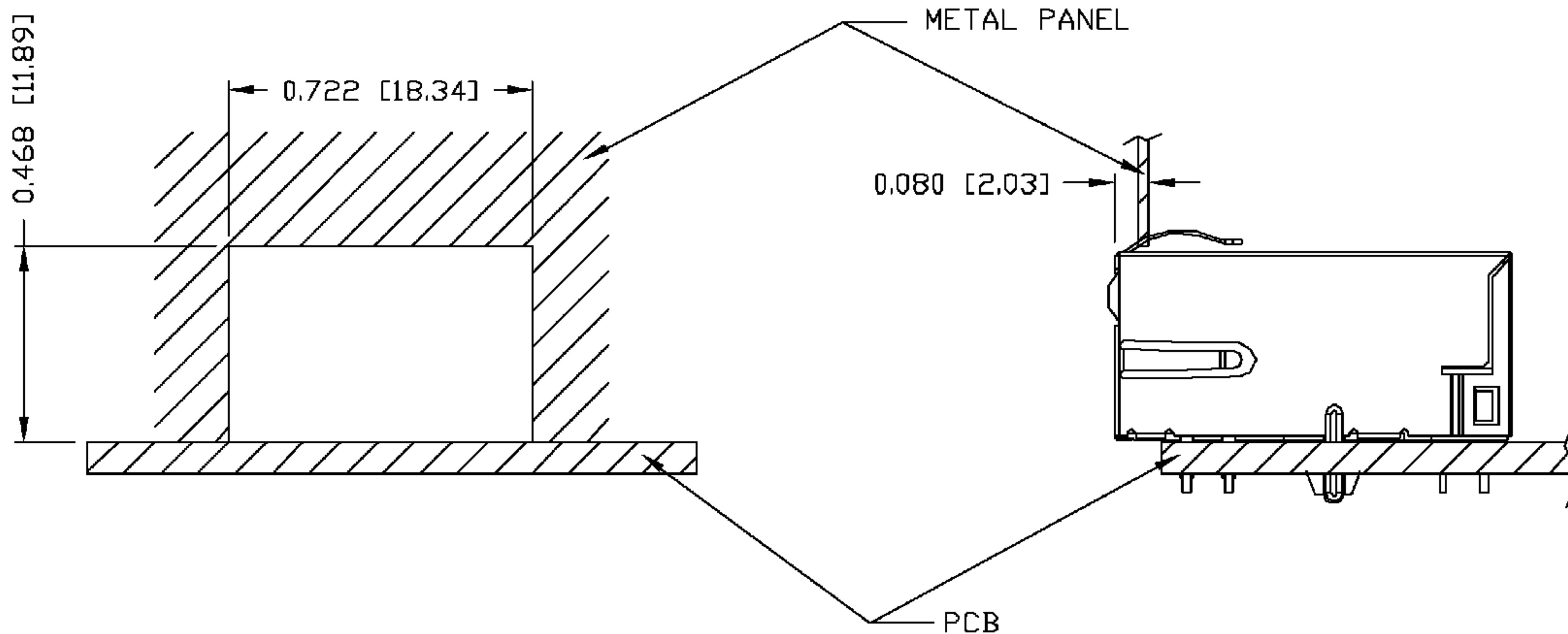
THE INFORMATION CONTAINED HEREIN IS CONSIDERED "PROPRIETARY" TO BEL FUSE INC. AND SHALL NOT BE COPIED, REPRODUCED OR DISCLOSED WITHOUT THE WRITTEN APPROVAL OF BEL FUSE INC.

RoHS  
2002/95/EC



PRELIMINARY

SUGGESTED PANEL OPENING



NOTE:

THE DISTANCE OF PANEL INSIDE SURFACE RELATIVE TO FRONT SURFACE OF PART IS ONLY A SUGGESTION. IN CASE THIS DISTANCE IS DIFFERENT, THE REQUIRED PANEL OPENING DIMENSIONS CHANGE ACCORDINGLY.

TRAY PACKING INFORMATION

PACKING TRAY : 0200-9999-E4 (TOP)

0200-9999-E5 (BOTTOM)

PACKING QUANTITY : 60 PCS FINISHED GOODS PER TRAY

11 TRAYS (660 PCS FINISHED GOODS) PER CARTON BOX

NOTE : CARDBOARDS ARE PLACED BETWEEN LAYERS OF PACKING TRAY INSIDE CARTON BOX  
(INCLUDE THE UPPERMOST AND LOWERMOST TRAY)

|                           |                  |   |  |                               |                              |        |
|---------------------------|------------------|---|--|-------------------------------|------------------------------|--------|
| ORIGINATED BY<br>QIN/BILL | DATE<br>12-04-06 | TITLE<br>10/100 MagJack®<br>(Tab Down Version)<br>(Ultra Low Profile) | PART NO. / DRAWING NO.<br>L836-1X1T-47 | STANDARD DIM.<br>TOL. IN INCH | [ ] METRIC DIM. AS REFERENCE |        |
|                           | DRAWN BY<br>TING |   | DATE<br>12-04-06                       | FILE NAME<br>L8361X1T47PA.DWG | .X<br>.XX<br>.XXX            | ±0.004 |

