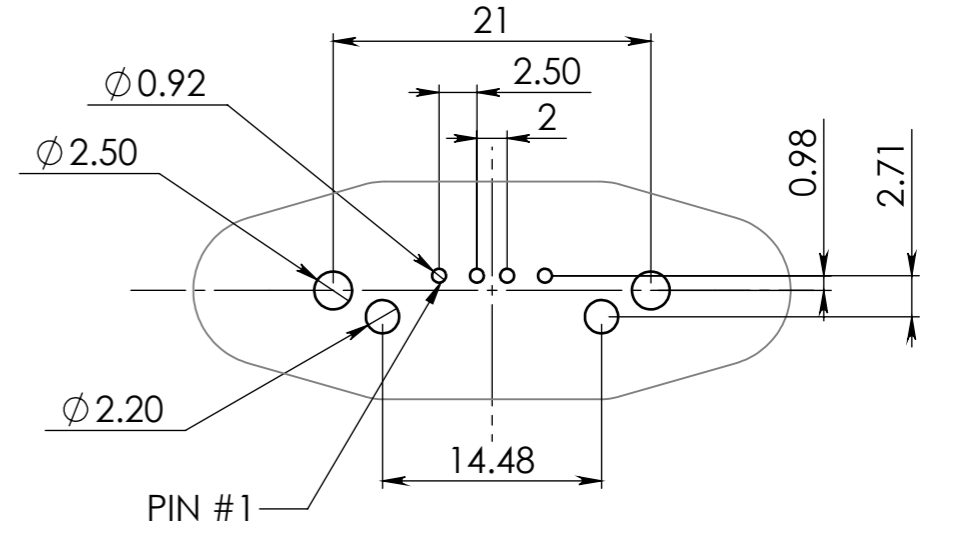
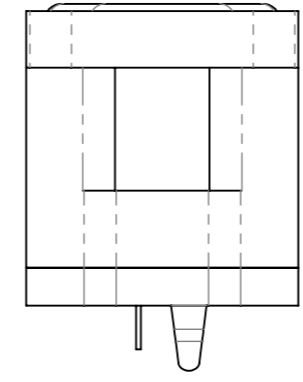
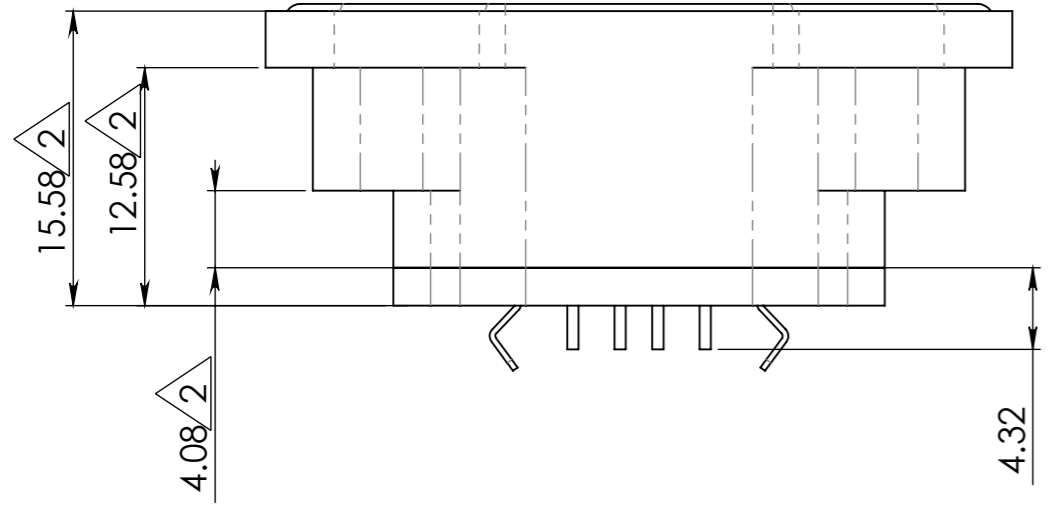
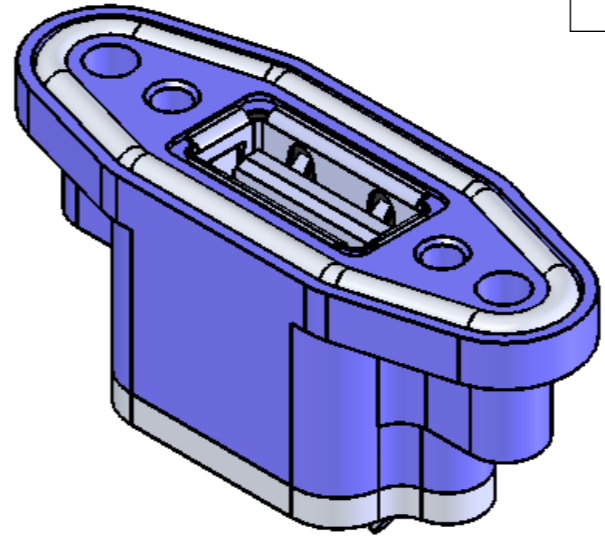
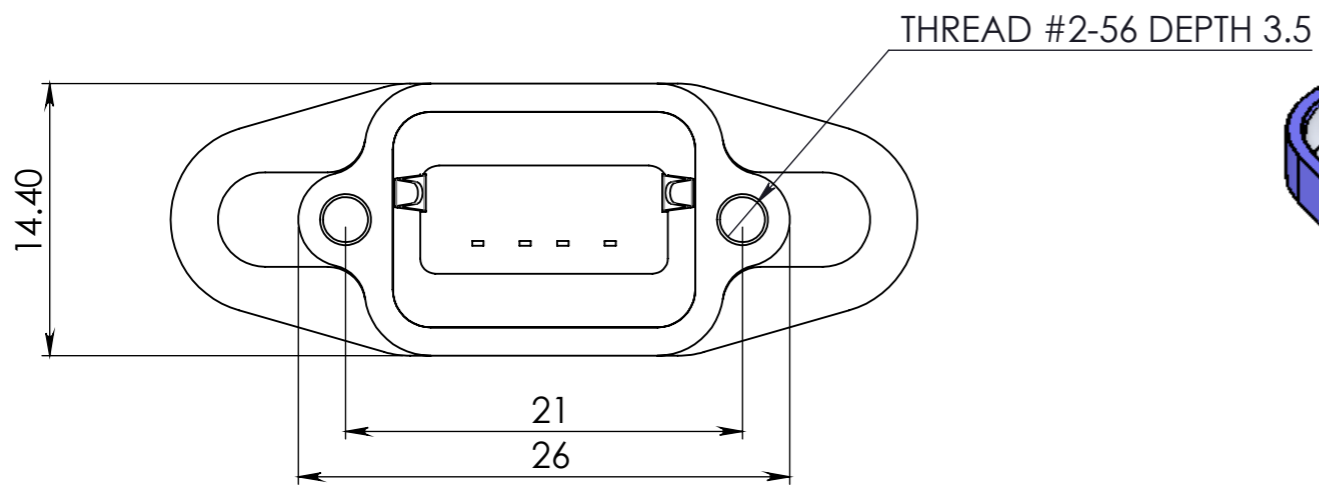
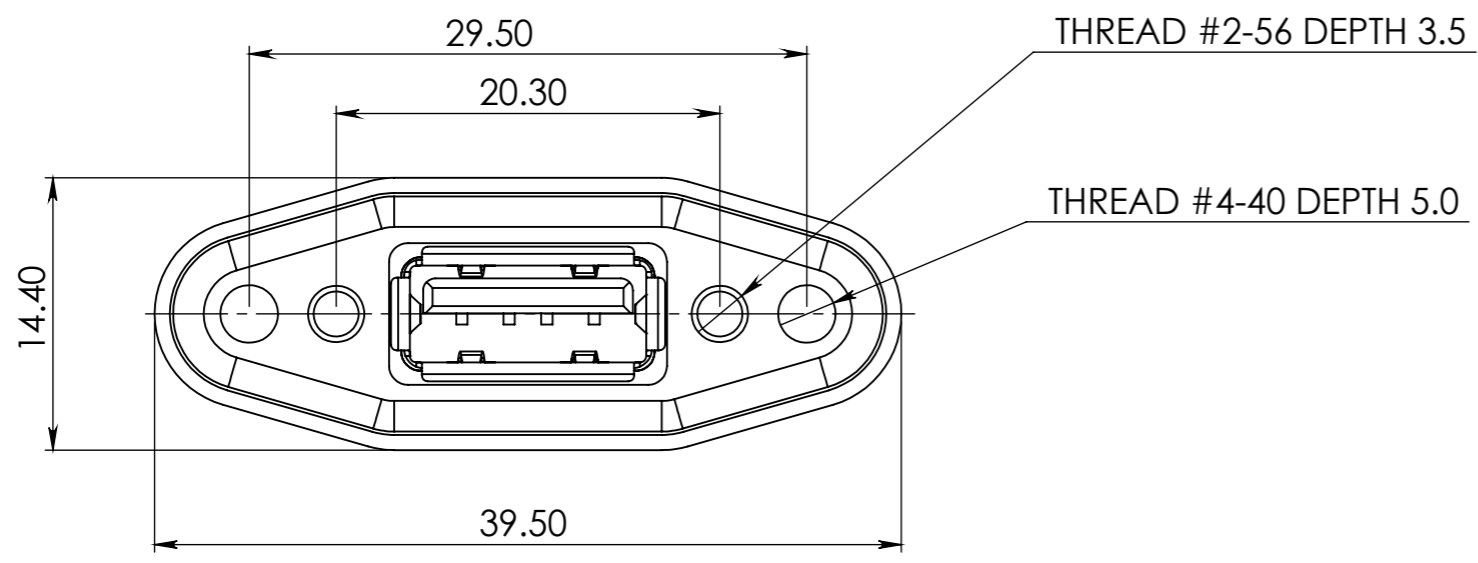


P:\Projects\Projects in R&D Status\InTal Tech\IN09 Backshell for Micro D-Type\0 IN09\IN09-DS-28-02 18/12/2011

ZONE	REV.	DESCRIPTION	DATE	APPROVED
	01	PRERELEASE	23/05/2011	IGOR
	02	CHANGED DIMENSIONS,NOTE	18/12/2011	IGOR



**PCB LAYOUT (TOP VIEW)**



1. MATERIAL :  
OUTER SHELL-ALUMINUM, COATING-CHROMAT PASSIVATION.
2. CONTACT : COOPER ALLOY, PLATING : SELECTIVE GOLD PLATED
3. INSULATOR : HIGH TEMP. PLASTIC (UL94V-0)
4. CURRENT RATING : 1.0AAC/DC
5. VOLTAGE RATING : 30V AC/DC
6. CONTACT RESISTANCE : 20 m OHM. MAX.
7. OPERATING TEMPERATURE RANGE : -40°C TO +105°C
8. GASKET- SILIKONE RUBBER , RED

TOLERANCES UNLESS OTHERWISE STATED				MATERIAL:	FINISH:				
LINEAR	±	HOLES DIA	+						
ANGULAR	±	MASH. SURF'S							
	NAME	SIGNATURE	DATE	TITLE					
DRAWN	ELENA			<b>RUGGED USB A PCB MOUNT DATA SHEET</b>					
DES'N'D	IGOR								
CHK'D									
APP'V'D									
THIS DOCUMENT CONTAINS PROPRIETARY INFORMATION AND SHALL NOT BE PUBLISHED OR USED FOR ANY PURPOSE WITHOUT THE PRIOR WRITTEN PERMISSION OF INTALTECH Ltd. DO NOT MANUALLY UPDATE. DO NOT SCALE DRAWING.						PART. NO. IN09-SA-28		VERSION	
				Engineering Development & Consulting		DWG NO. <b>IN09-DS-28-02</b>		REV. 02	SHEET 1/1
				SIZE A3	FIRST ANGLE PROJECTION		DIM UNIT MM	SCALE 2:1	