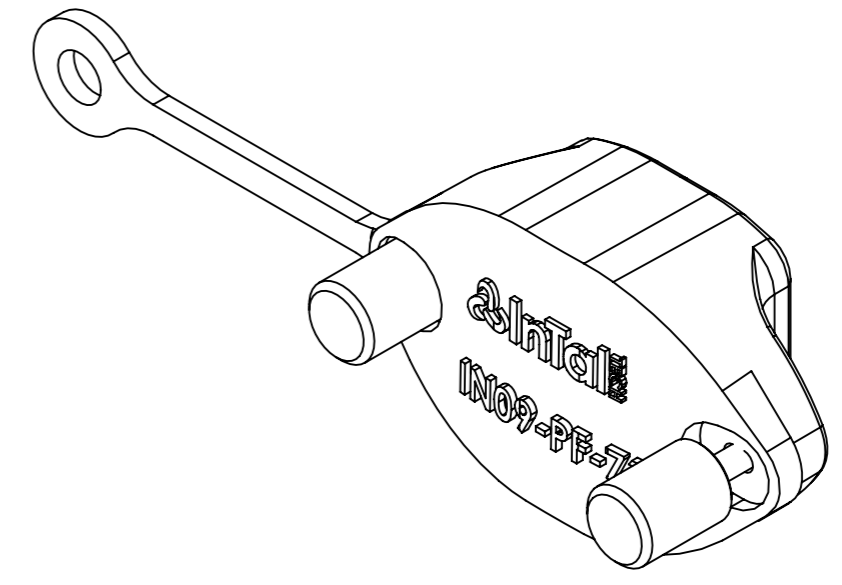
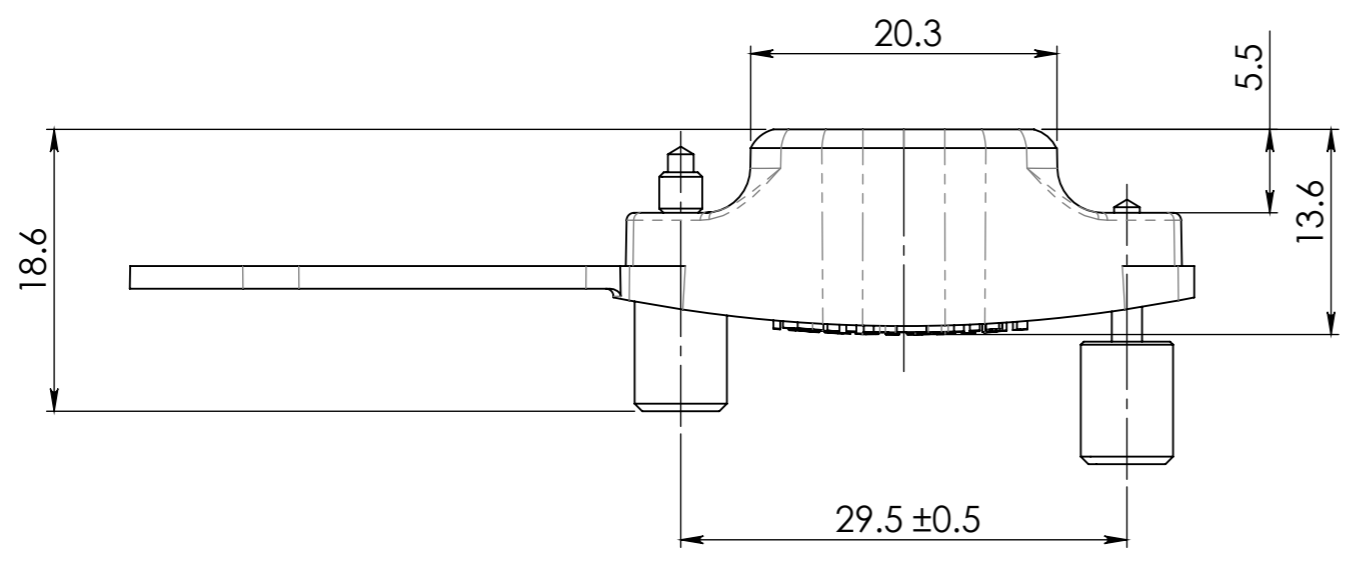
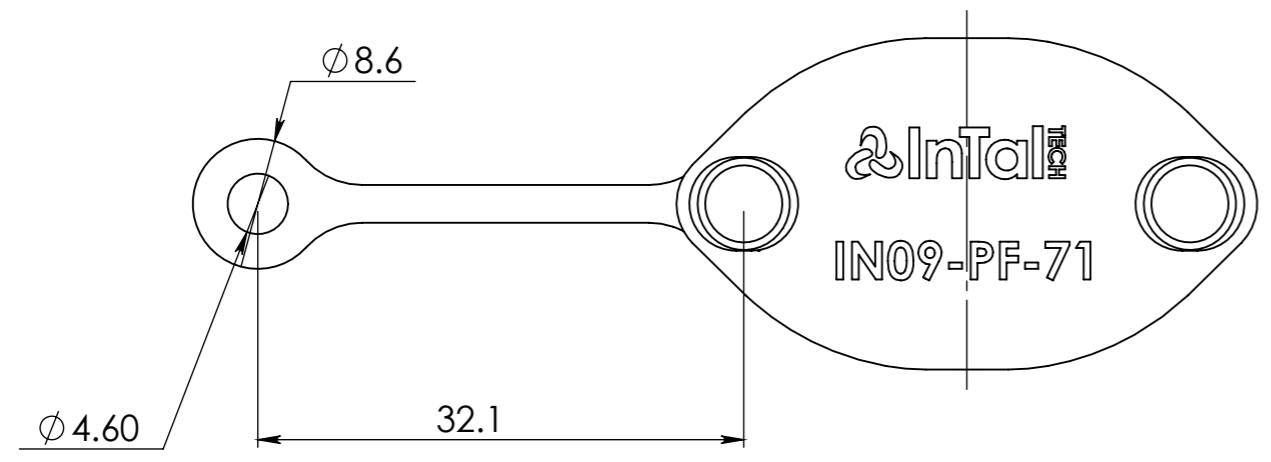


P:\Projects\Projects in R&D Status\InTal Tech\IN09 Backshell for Micro D-Type\IN09-DS-24-A 11/7/2010

1	2	3	4	5	6	7	8
ZONE	REV.	DESCRIPTION		DATE	APPROVED		
	A	RELEASED		4/11/2010	IGOR		



- NOTES:
 1. RJ45 PLUG - BLACK SILICONE , TSE-221-80.
 2. FASTENING - #4-40 UNC CAPTIVE SCREW , ST.ST.

TOLERANCES UNLESS OTHERWISE STATED				MATERIAL:	FINISH:	
LINEAR	±	HOLES DIA	+			
ANGULAR	±	MASH. SURF'S				
	NAME	SIGNATURE	DATE	TITLE		
DRAWN	ELENA			RJ45 PLUG KIT DATA SHEET		
DESN'D	GREGORY					
CHK'D						
APPV'D						
THIS DOCUMENT CONTAINS PROPRIETARY INFORMATION AND SHALL NOT BE PUBLISHED OR USED FOR ANY PURPOSE WITHOUT THE PRIOR WRITTEN PERMISSION OF INTALTECH Ltd. DO NOT MANUALLY UPDATE. DO NOT SCALE DRAWING.				PART. NO.		VERSION
				IN09-KT-24		
				DWG NO.		REV.
IN09-DS-24-A		A	1/1			
SIZE		FIRST ANGLE PROJECTION	DIM UNIT	SCALE		
A3			MM	2:1		