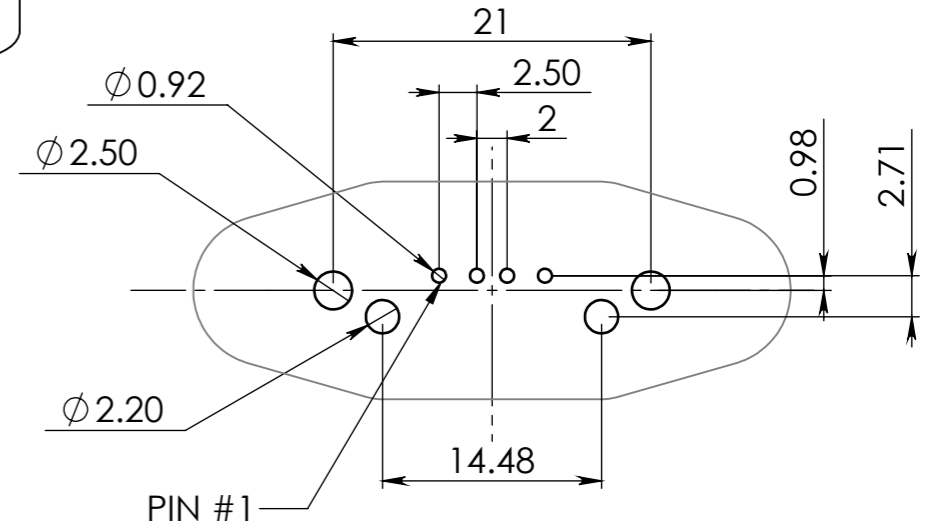
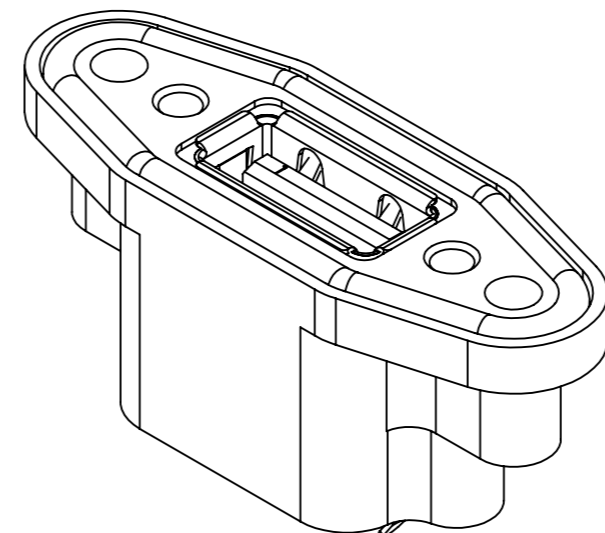
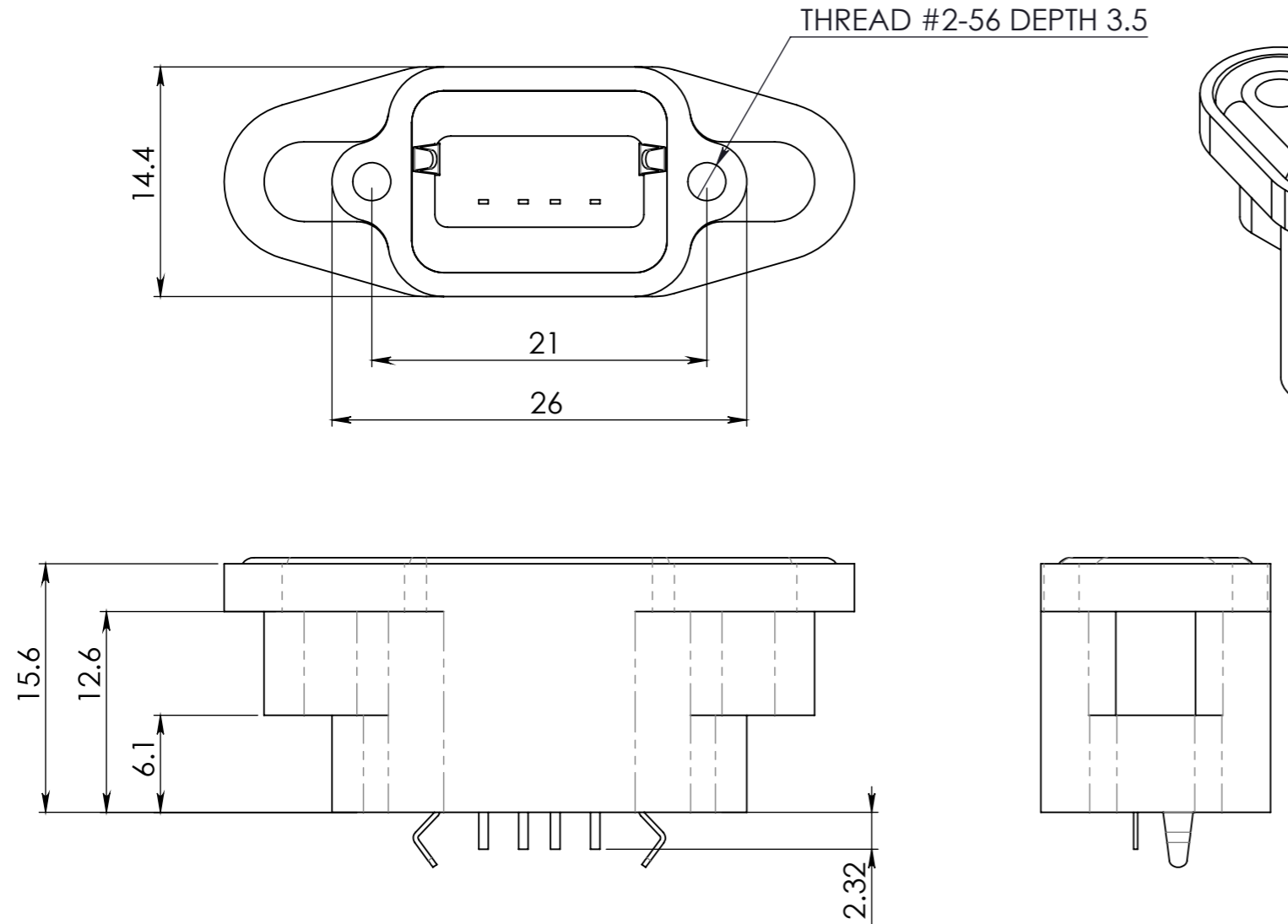


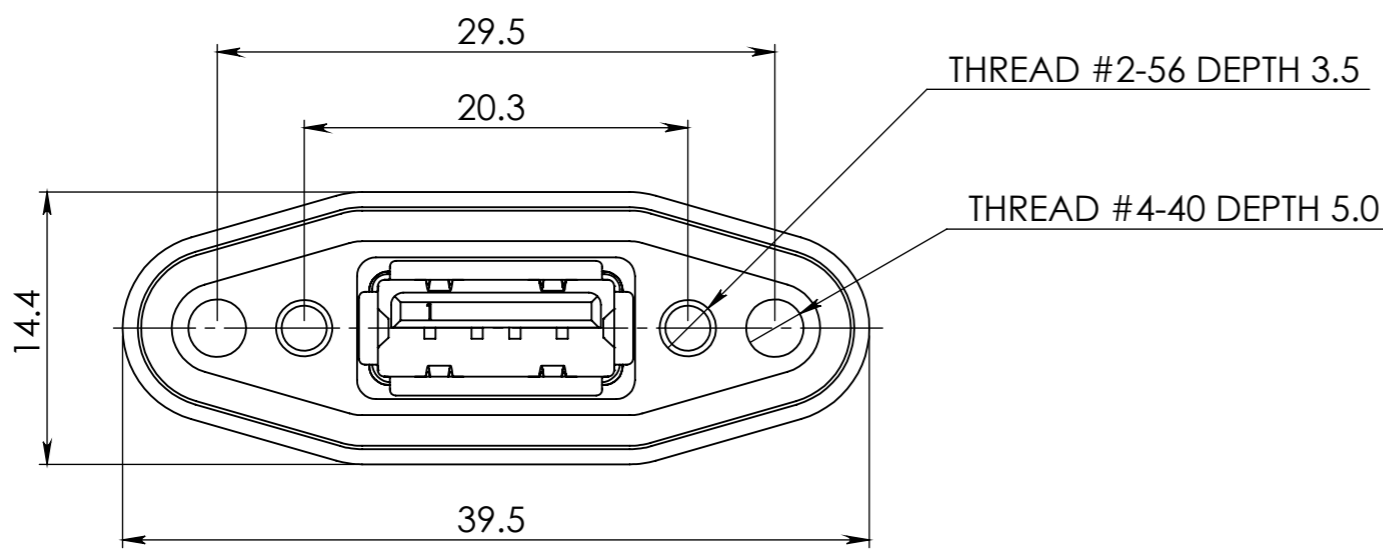
P:\Projects\Projects in R&D Status\InTal Tech\IN09 Backshell for Micro D-Type\0 IN09\IN09-DS-28-03 21/05/2012

ZONE	REV.	DESCRIPTION	DATE	APPROVED
	03	PRODUCTION	21/02/2012	IGOR



PCB LAYOUT (TOP VIEW)

1. MATERIAL :
OUTER SHELL-ALUMINUM, COATING-CHROMAT PASSIVATION.
2. CONTACT : COOPER ALLOY, PLATING : SELECTIVE GOLD PLATED
3. INSULATOR : HIGH TEMP. PLASTIC (UL94V-0)
4. CURRENT RATING : 1.0AAC/DC
5. VOLTAGE RATING : 30V AC/DC
6. CONTACT RESISTANCE : 20 m OHM. MAX.
7. OPERATING TEMPERATURE RANGE : -40°C TO +105°C
8. GASKET- SILKONE RUBBER , RED



TOLERANCES UNLESS OTHERWISE STATED				MATERIAL:	FINISH:			
LINEAR ±	HOLES DIA +							
ANGULAR ±	MASH. SURF'S							
NAME	SIGNATURE	DATE	TITLE					
DRAWN	ELENA		RUGGED USB A PCB MOUNT DATA SHEET					
DES'N'D	IGOR							
CHK'D			PROJECT					
APP'V'D			PART. NO. IN09-SA-28					
THIS DOCUMENT CONTAINS PROPRIETARY INFORMATION AND SHALL NOT BE PUBLISHED OR USED FOR ANY PURPOSE WITHOUT THE PRIOR WRITTEN PERMISSION OF INTALTECH Ltd. DO NOT MANUALLY UPDATE. DO NOT SCALE DRAWING.			 Engineering Development & Consulting		DWG NO. IN09-DS-28-03		REV. 03	SHEET 1/1
					SIZE A3	FIRST ANGLE PROJECTION	DIM UNIT MM	SCALE 2:1