

THE INFORMATION CONTAINED HEREIN IS CONSIDERED "PROPRIETARY" TO BEL FUSE INC. AND SHALL NOT BE COPIED, REPRODUCED OR DISCLOSED WITHOUT THE WRITTEN APPROVAL OF BEL FUSE INC.

PRELIMINARY



| LED1 POLARITY | | | LED2 POLARITY | | | |
|---------------|--------|--------|---------------|--------|--------|--------------|
| PIN 13 | PIN 14 | COLOR | PIN 15 | PIN 16 | PIN 17 | COLOR |
| - | + | YELLOW | / | + | - | GREEN |
| / | / | / | - | + | / | ORANGE |
| / | / | / | - | + | - | MIXED YELLOW |

ELECTRICAL CHARACTERISTICS @ 25°C

URNS RATIO

| | |
|-----|---------------|
| TP1 | 1CT : 1CT ±2% |
| TP2 | 1CT : 1CT ±2% |
| TP3 | 1CT : 1CT ±2% |
| TP4 | 1CT : 1CT ±2% |

OCL @ 100kHz/100mVRMS (0-70°C)

8mA DC BIAS 350µH MIN.

INS. LOSS

| | |
|------------------|-------------|
| 0.1MHz TO 1MHz | -1.1 dB MAX |
| 1MHz TO 65MHz | -0.5 dB MAX |
| 65MHz TO 100MHz | -0.8 dB MAX |
| 100MHz TO 125MHz | -1.2 dB MAX |

RET. LOSS (MIN) @ 100 OHMS +/-15%

| | |
|--------------|-----------------------|
| 0.5MHz-40MHz | -18 dB |
| 40MHz-100MHz | -12+20LOG(f/80MHz) dB |

CM TO CM REJ

100kHz - 100MHz -30 dB MIN

CM TO DM REJ

100kHz - 100MHz -35 dB MIN

HIPOT (Isolation Voltage): 1500 Vrms

100% OF PRODUCTION TESTED TO COMPLY WITH IEEE 802.3 ISOLATION REQUIREMENTS.

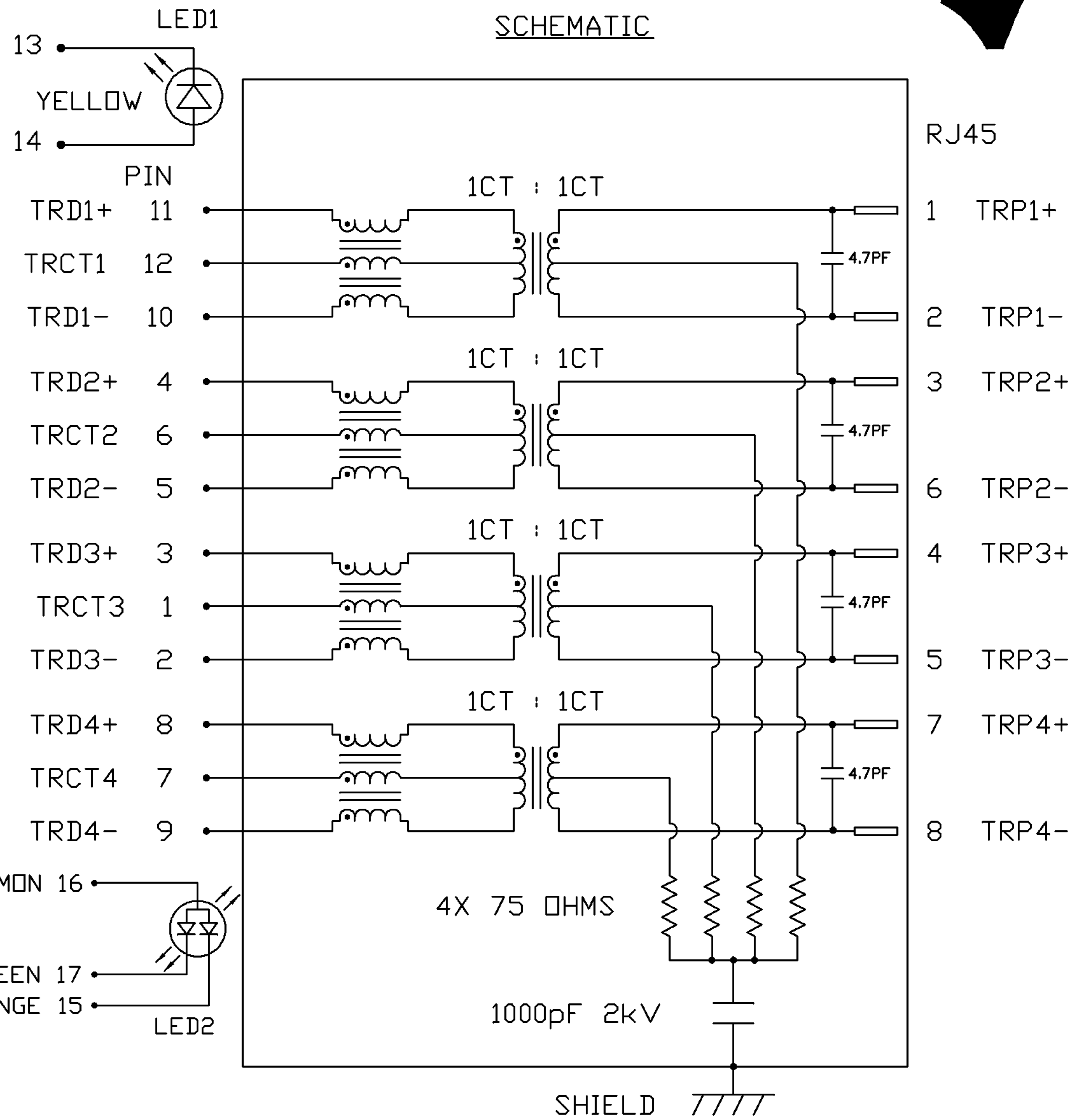
LED 1

VF (FORWARD VOLTAGE) IF=20mA YELLOW 2.1V TYP.
 λD (DOMINANT WAVELENGTH) IF=20mA YELLOW 590nm TYP.

LED 2

VF (FORWARD VOLTAGE) IF=20mA YELLOW GREEN 2.2V TYP. ORANGE 2.1V TYP.
 λD (DOMINANT WAVELENGTH) IF=20mA YELLOW GREEN 570nm TYP. AMBER 607nm TYP.

MIXED YELLOW DOES NOT HAVE SPECIFIC WAVELENGTH.

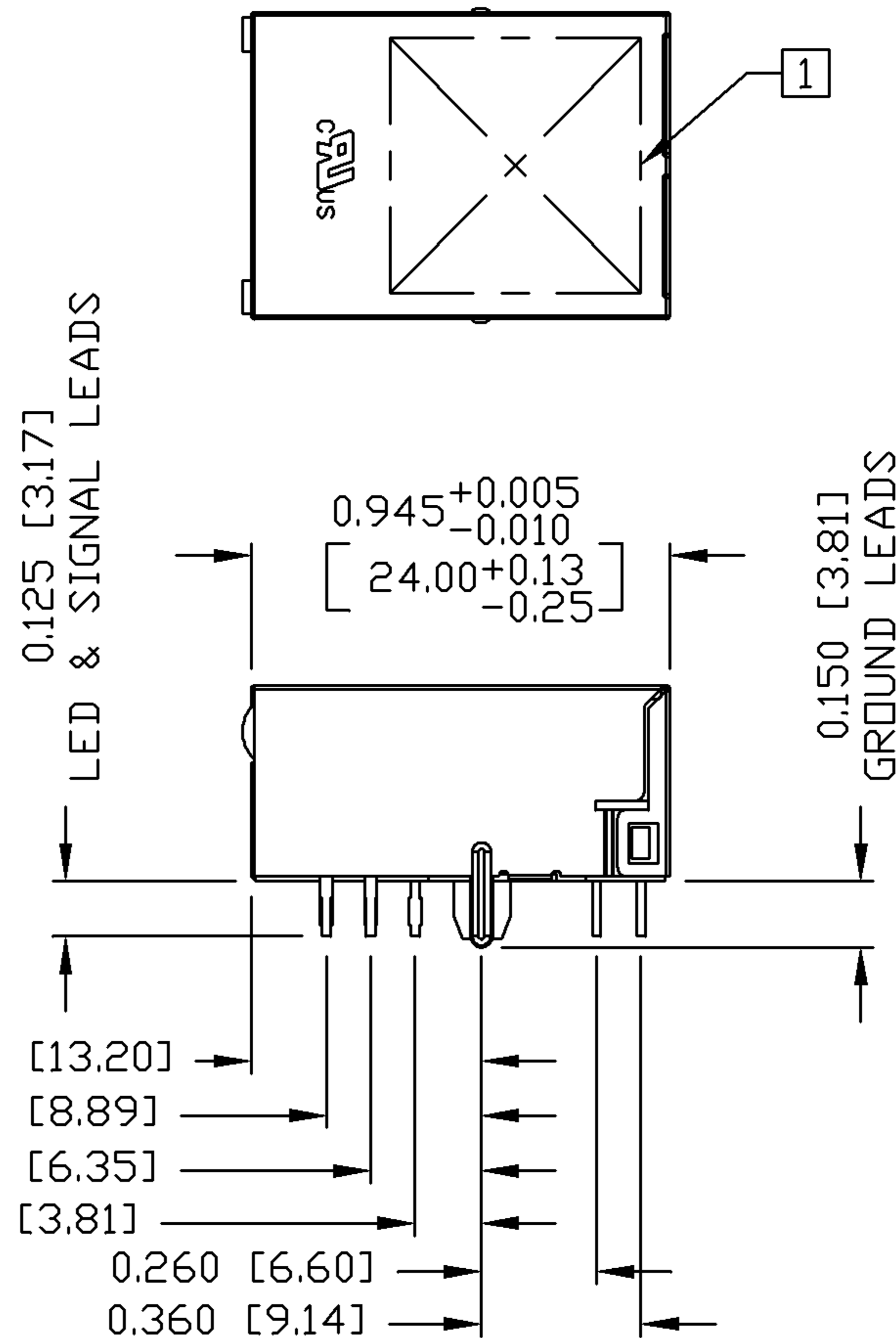
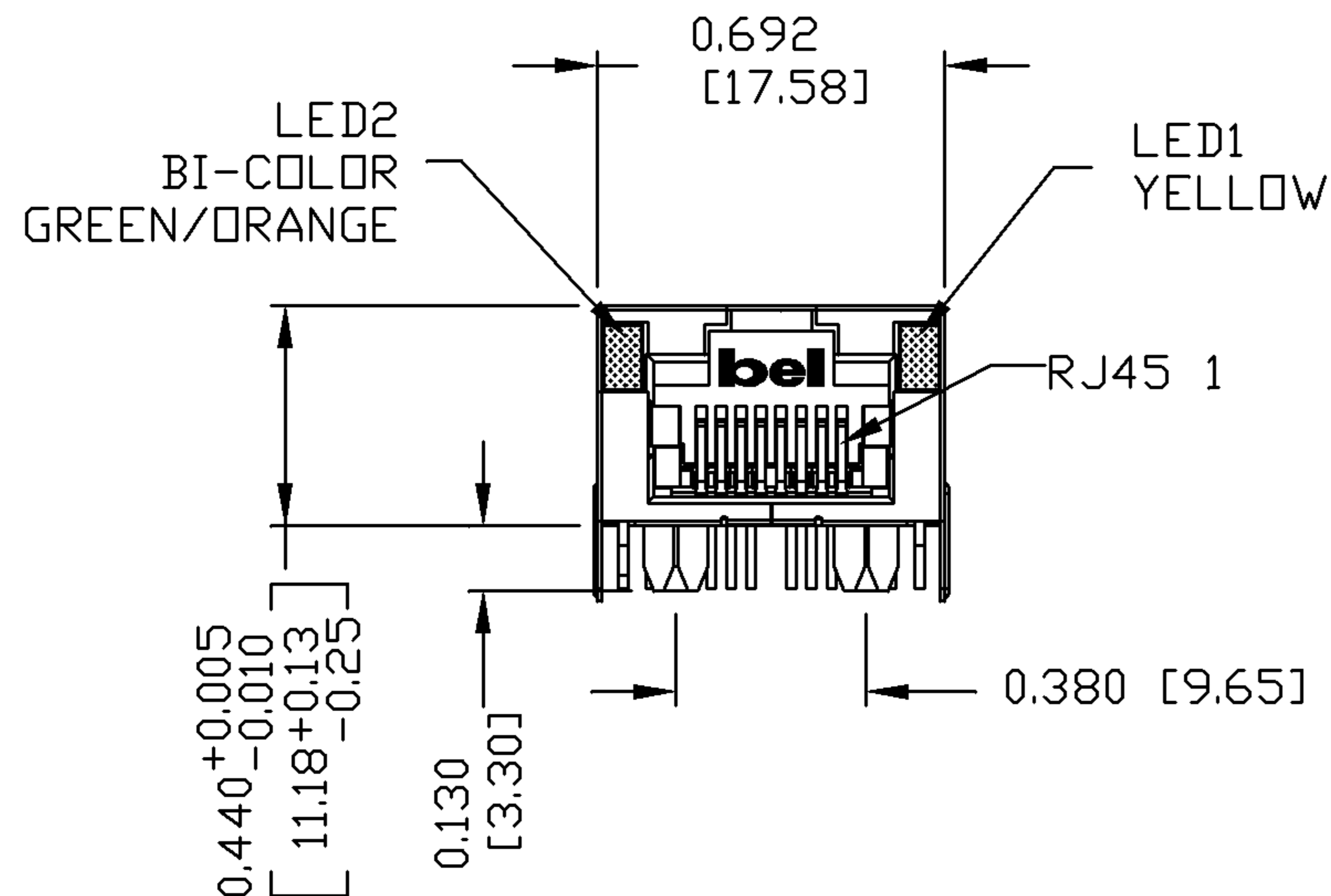


| | | | | | | | |
|---------------------------------|------------------|--|--|--|---|------------------------------------|--|
| ORIGINATED BY CHOW WANGCHUNG | DATE 02-16-09 | TITLE gigabit MagJack® (Ultra Low Profile) | PART NO. / DRAWING NO. L829-1JX1-43 | STANDARD DIM. TOL. IN INCH .X .XX .XXX | [] METRIC DIM. AS REFERENCE UNIT : INCH [mm] SCALE : N/A | REV. : PA SIZE : A4 PAGE : 2 | |
| DRAWN BY LI YONGFENG | DATE 02-16-09 | FILE NAME L829-1JX1-43_PA.DWG | | | | | |

THE INFORMATION CONTAINED HEREIN IS CONSIDERED "PROPRIETARY" TO BEL FUSE INC. AND SHALL NOT BE COPIED, REPRODUCED OR DISCLOSED WITHOUT THE WRITTEN APPROVAL OF BEL FUSE INC.

MECHANICAL SPECIFICATION

PRELIMINARY



NOTES:

- PLASTIC HOUSING: THERMOPLASTIC PA.
FLAMMABILITY RATING UL 94V-0
- CONTACTS: 30 MICRO-INCH HARD GOLD PLATING
- OUTPUT PINS: TIN-COATED COPPER WIRE, DIA 0.018 INCH.
- METAL SHIELD: NICKEL PLATED ON COPPER ALLOY.
(ALL GROUND LEADS ARE SOLDER DIPPED)

1] MARK PART WITH MFG LOGO, MFG NAME, PART NUMBER AND DATE CODE.

COMPONENTS FOR A CONNECTED PLANET
 USUL RECOGNIZED - FILE #E196366 AND E169987.

2. RoHS COMPLIANCE, PER EU DIRECTIVE 2002/95/EC.
 JACK CAVITY CONFORMS TO FCC RULES AND REGULATIONS.

| ORIGINATED BY | DATE | TITLE | PART NO. / DRAWING NO. | STANDARD DIM. TOL. IN INCH | [] METRIC DIM. AS REFERENCE |
|---------------|----------|---|------------------------|----------------------------|------------------------------|
| LIU QIN | 02-16-09 | gigabit MagJack® (Ultra Low Profile) | L829-1JX1-43 | .X | UNIT : INCH [mm] REV. : PA |
| DRAWN BY | DATE | | FILE NAME | .XX | SCALE : N/A SIZE : A4 |
| XIAN JIAXIN | 02-16-09 | | L829-1JX1-43_PA.DWG | .XXX ±0.010 | ⊕ PAGE : 3 |



THE INFORMATION CONTAINED HEREIN IS CONSIDERED "PROPRIETARY" TO BEL FUSE INC. AND SHALL NOT BE COPIED, REPRODUCED OR DISCLOSED WITHOUT THE WRITTEN APPROVAL OF BEL FUSE INC.

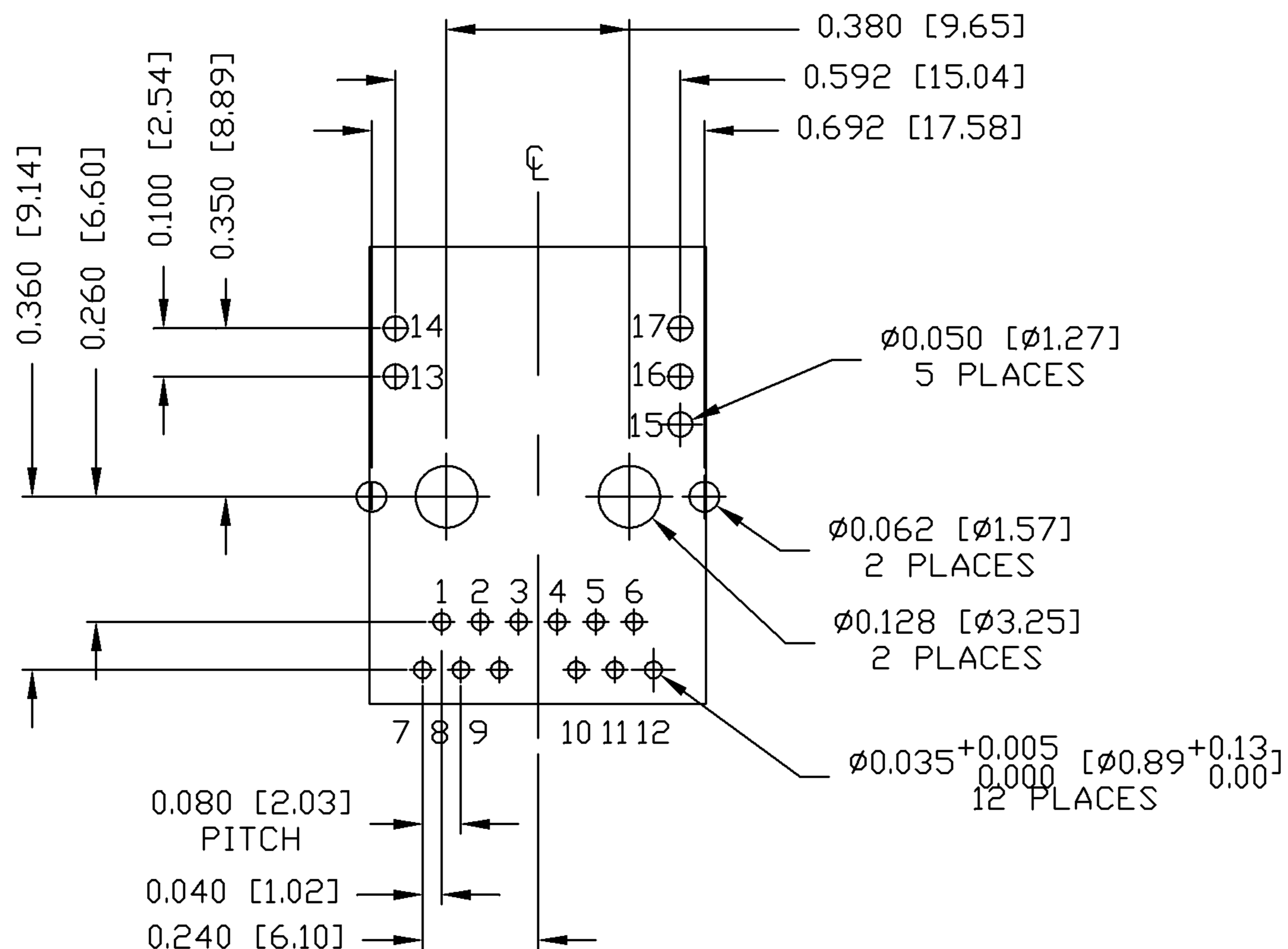
RoHS
2002/95/EC



PRELIMINARY

RECOMMENDED PCB FOOTPRINT

COMPONENT SIDE VIEW



| | | | | | |
|---------------|----------|---|------------------------|----------------------------|------------------------------|
| ORIGINATED BY | DATE | TITLE | PART NO. / DRAWING NO. | STANDARD DIM. TOL. IN INCH | [] METRIC DIM. AS REFERENCE |
| LIU QIN | 02-16-09 | gigabit MagJack® (Ultra Low Profile) | L829-1JX1-43 | .X | UNIT : INCH [mm] REV. : PA |
| DRAWN BY | DATE | | FILE NAME | .XX | SCALE : N/A SIZE : A4 |
| XIAN JIAXIN | 02-16-09 | | L829-1JX1-43_PA.DWG | .XXX ±0.004 | PAGE : 4 |



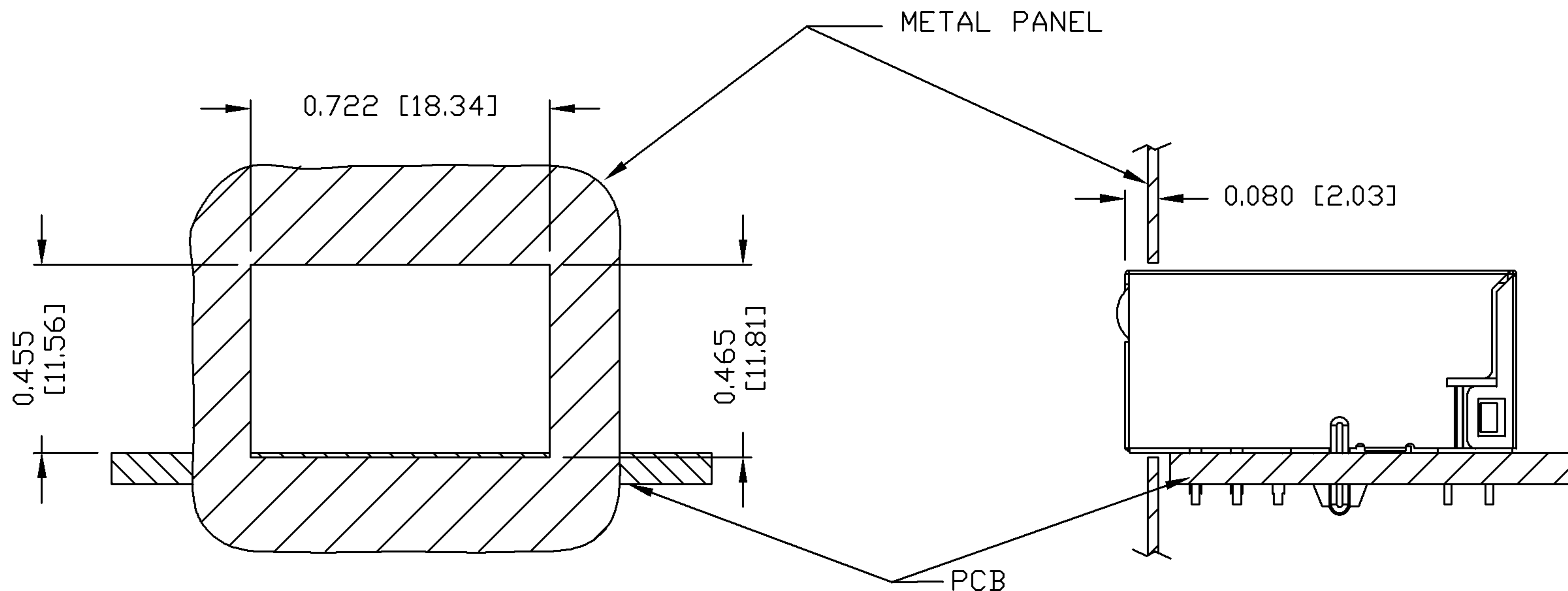
THE INFORMATION CONTAINED HEREIN IS CONSIDERED "PROPRIETARY" TO BEL FUSE INC. AND SHALL NOT BE COPIED, REPRODUCED OR DISCLOSED WITHOUT THE WRITTEN APPROVAL OF BEL FUSE INC.

RoHS
2002/95/EC



SUGGESTED PANEL OPENING

PRELIMINARY



NOTE:
THE DISTANCE OF PANEL INSIDE SURFACE RELATIVE TO FRONT SURFACE OF PART IS ONLY A SUGGESTION. IN CASE THIS DISTANCE IS DIFFERENT, THE REQUIRED PANEL OPENING DIMENSIONS CHANGE ACCORDINGLY.

TRAY PACKING INFORMATION

PACKING TRAY : 0200-9999-E4 (TOP)
0200-9999-E5 (BOTTOM)

PACKING QUANTITY : 60 PCS FINISHED GOODS PER TRAY
11 TRAYS (660 PCS FINISHED GOODS) PER CARTON BOX

NOTE : CARDBOARDS ARE PLACED BETWEEN LAYERS OF PACKING TRAY INSIDE CARTON BOX
(INCLUDE THE UPPERMOST AND LOWERMOST TRAY)

| | | | | | |
|---------------|----------|---|------------------------|----------------------------|------------------------------|
| ORIGINATED BY | DATE | TITLE | PART NO. / DRAWING NO. | STANDARD DIM. TOL. IN INCH | [] METRIC DIM. AS REFERENCE |
| LIU QIN | 02-16-09 | gigabit MagJack® (Ultra Low Profile) | L829-1JX1-43 | .X | UNIT : INCH [mm] REV. : PA |
| DRAWN BY | DATE | | FILE NAME | .XX | SCALE : N/A SIZE : A4 |
| XIAN JIAXIN | 02-16-09 | | L829-1JX1-43_PA.DWG | .XXX ±0.004 | ⊕ PAGE : 5 |

