

THE INFORMATION CONTAINED HEREIN IS CONSIDERED 'PROPRIETARY' TO BEL FUSE INC. AND SHALL NOT BE COPIED, REPRODUCED OR DISCLOSED WITHOUT THE WRITTEN APPROVAL OF BEL FUSE INC.

RoHS
2002/95/EC



LED1 POLARITY			LED2 POLARITY			
PIN 13	PIN 14	COLOR	PIN 15	PIN 16	PIN 17	COLOR
-	+	YELLOW	-	+	/	ORANGE
/	/	/	-	+	-	GREEN
/	/	/	-	+	-	MIXED YELLOW

ELECTRICAL CHARACTERISTICS @ 25°C

URNS RATIO

TP1	1CT : 1CT ±2%
TP2	1CT : 1CT ±2%
TP3	1CT : 1CT ±2%
TP4	1CT : 1CT ±2%

QCL @ 100kHz/100mVRMS
8mA DC BIAS
(0-70 Deg. C)
350µH MIN.

INS. LOSS

0.1MHz TO 1MHz	-1.1 dB MAX
1MHz TO 65MHz	-0.5 dB MAX
65MHz TO 100MHz	-0.8 dB MAX
100MHz TO 125MHz	-1.2 dB MAX

RET. LOSS (MIN) @ 100 OHMS +/-15%

0.5MHz-40MHz	-18 dB
40MHz-100MHz	-12+20LOG(f/80MHz) dB

CM TO CM REJ

100kHz - 100MHz	-30 dB MIN
-----------------	------------

CM TO DM REJ

100kHz - 100MHz	-35 dB MIN
-----------------	------------

HIPDT (Isolation Voltage): 1500 Vrms / 2250 VDC

100% OF PRODUCT TESTED IN PRODUCTION

LED 1

VF (FORWARD VOLTAGE) IF=20mA YELLOW 2.1V TYP.

λD (DOMINANT WAVELENGTH) IF=20mA YELLOW 590nm TYP.

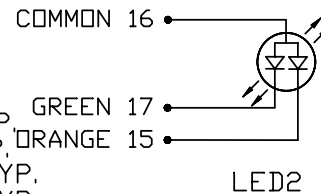
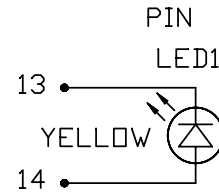
LED 2

VF (FORWARD VOLTAGE) IF=20mA YELLOW GREEN 2.2V TYP. GREEN 17, AMBER 2.1V TYP. ORANGE 15

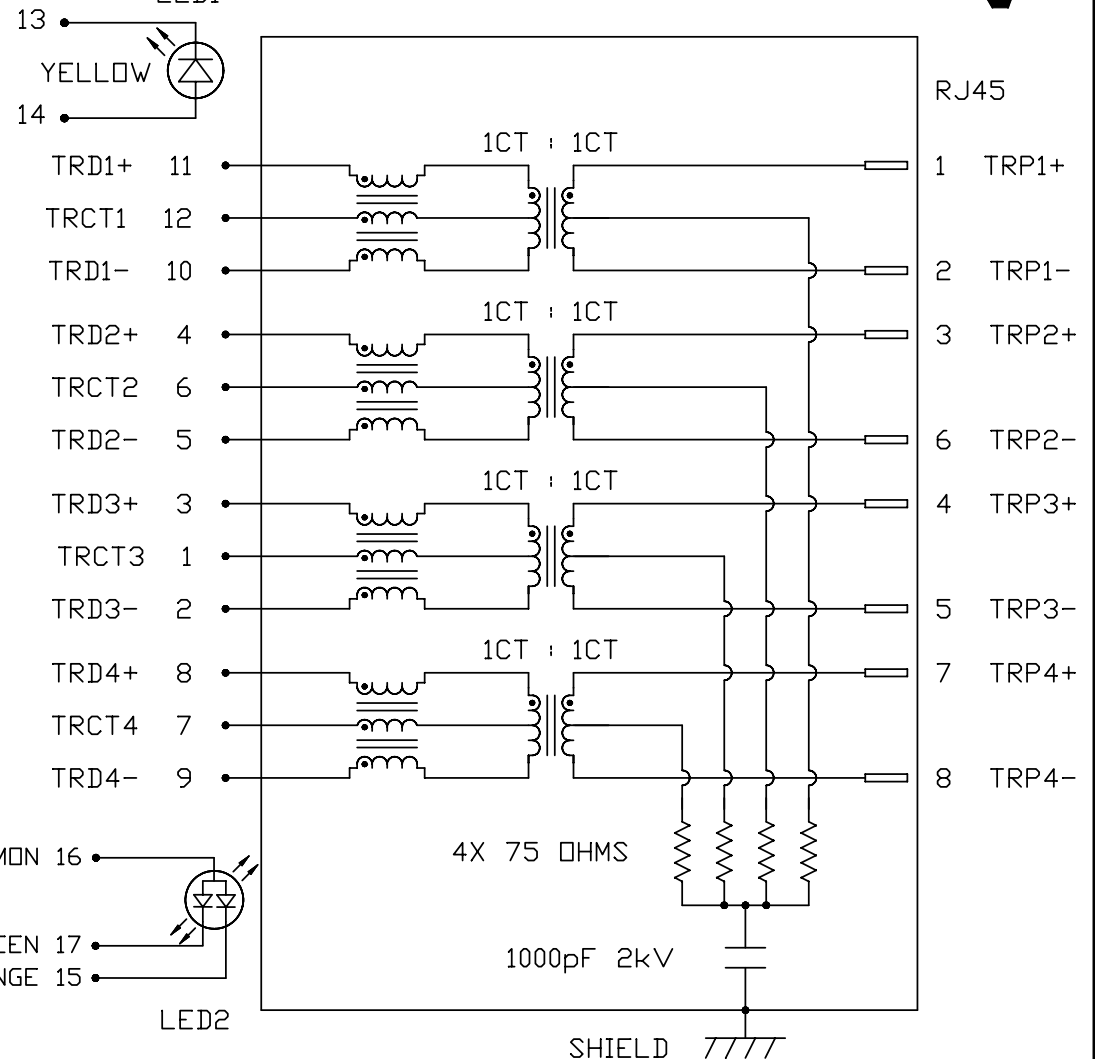
λD (DOMINANT WAVELENGTH) IF=20mA YELLOW GREEN 570nm TYP.

AMBER 607nm TYP.

MIXED YELLOW DOES NOT HAVE SPECIFIC WAVELENGTH.



SCHMATIC



ORIGINATED BY	DATE	TITLE
CHOW WANGCHUNG	03-02-11	gigabit MagJack® (Ultra Low Profile) PATENTED
DRAWN BY	DATE	
TAN QIGUANG	03-02-11	

PART NO. / DRAWING NO.
L829-1J1T-43
FILE NAME
L829-1J1T-43_F.DWG

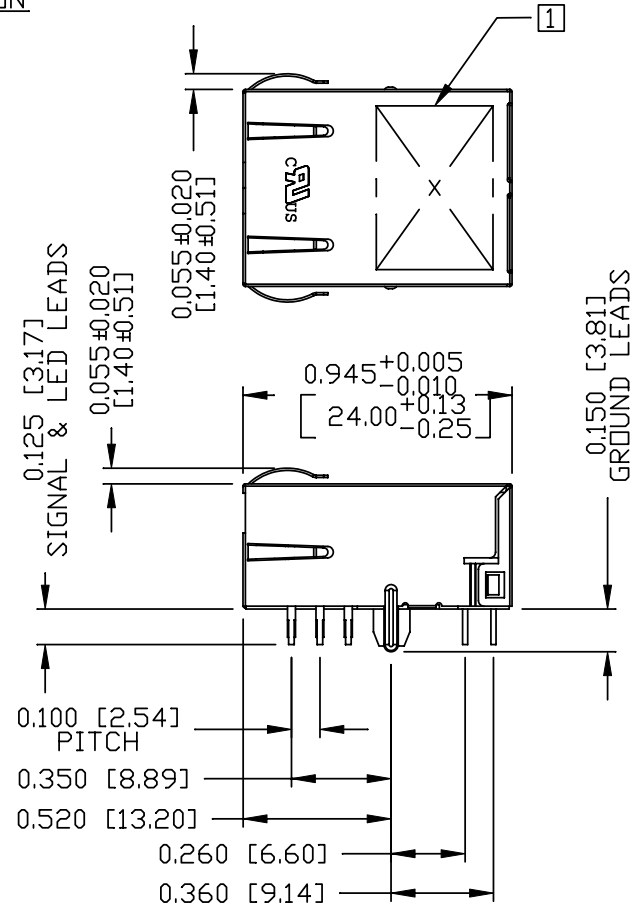
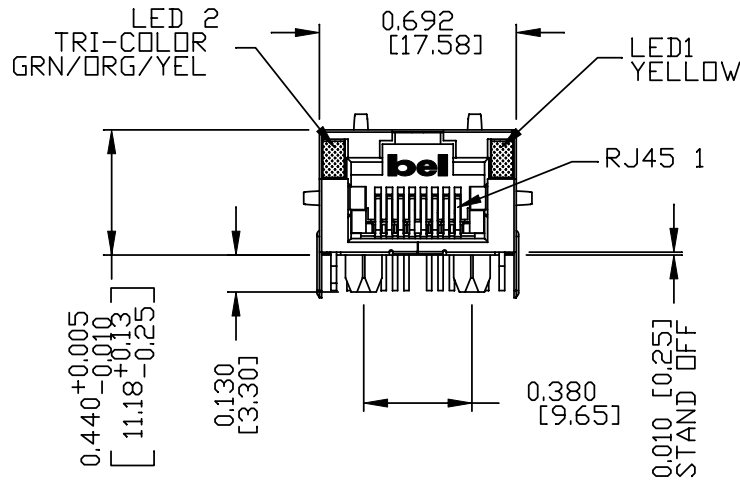
STANDARD DIM. TOL. IN INCH	[] METRIC DIM. AS REFERENCE
.X	UNIT : INCH [mm]
.XX	SCALE : N/A
.XXX	SIZE : A4
	PAGE : 2

REV. :	F
SIZE :	A4
PAGE :	2



THE INFORMATION CONTAINED HEREIN IS CONSIDERED "PROPRIETARY" TO BEL FUSE INC. AND SHALL NOT BE COPIED, REPRODUCED OR DISCLOSED WITHOUT THE WRITTEN APPROVAL OF BEL FUSE INC.

MECHANICAL SPECIFICATION



NOTES:

PLASTIC HOUSING: THERMOPLASTIC PA.

CONTACTS: FLAMMABILITY RATING UL 94V-0
 30 MICRO-INCH HARD GOLD PLATING
 OUTPUT PINS: TIN-COATED COPPER WIRE, DIA 0.018 INCH.
 METAL SHIELD: NICKEL PLATED ON COPPER ALLOY.
 (ALL GROUND LEADS ARE SOLDER DIPPED)

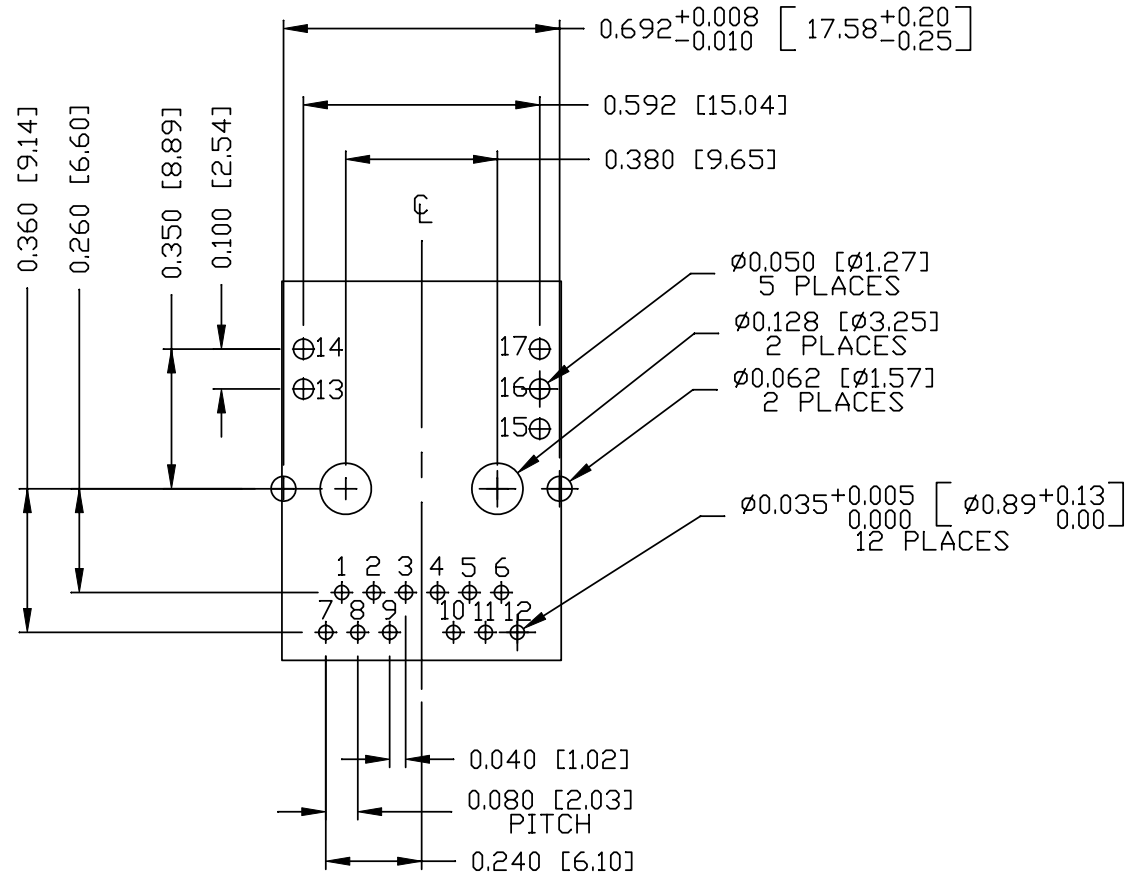
1. MARK PART WITH MFG. LOGO, MFG. NAME, PART NUMBER, DATE CODE AND PATENTED.
2. RoHS COMPLIANCE, PER EU DIRECTIVE 2002/95/EC. UL RECOGNIZED - FILE #E196366 AND E169987.
3. JACK CAVITY CONFORMS TO FCC RULES AND REGULATIONS. PART 68 SUBPART F.
4. THE PRODUCT IS PATENTED, THE PATENT NUMBER ARE U.S PAT. 5,736,910 AND U.S PAT. 7,123,117 AND U.S PAT. 6,840,817.

ORIGINATED BY	DATE	TITLE	PART NO. / DRAWING NO.	STANDARD DIM. TOL. IN INCH	[] METRIC DIM. AS REFERENCE	 COMPONENTS FOR A CONNECTED PLANET	
CHEN BILL	03-02-11	gigabit MagJack® (Ultra Low Profile) PATENTED	L829-1J1T-43	.X	UNIT : INCH [mm]		REV. : F
DRAWN BY	DATE		FILE NAME	.XX	SCALE : N/A		SIZE : A4
HE ZHEN	03-02-11	L829-1J1T-43_F.DWG	.XXX	±0.010	PAGE : 3		

THE INFORMATION CONTAINED HEREIN IS CONSIDERED "PROPRIETARY" TO BEL FUSE INC. AND SHALL NOT BE COPIED, REPRODUCED OR DISCLOSED WITHOUT THE WRITTEN APPROVAL OF BEL FUSE INC.

RECOMMENDED PCB FOOTPRINT
COMPONENT SIDE VIEW

RoHS
2002/95/EC

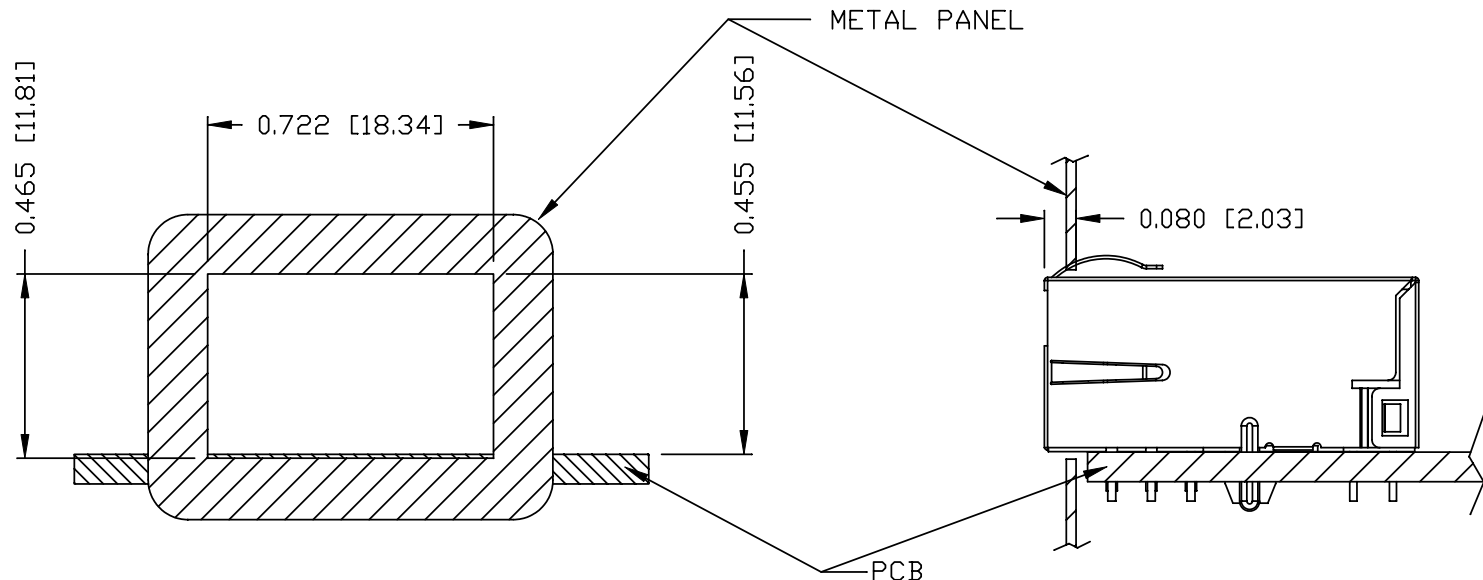


ORIGINATED BY CHEN BILL	DATE 03-02-11	TITLE glgabit MagJack® (Ultra Low Profile) PATENTED	PART NO. / DRAWING NO. L829-1J1T-43	STANDARD DIM. TOL. IN INCH	[] METRIC DIM. AS REFERENCE		 COMPONENTS FOR A CONNECTED PLANET
DRAWN BY HE ZHEN	DATE 03-02-11		FILE NAME L829-1J1T-43_F.DWG	.X .XX .XXX	±0.004	UNIT : INCH [mm]	
					SCALE : N/A	SIZE : A4	
						PAGE : 4	

THE INFORMATION CONTAINED HEREIN IS CONSIDERED 'PROPRIETARY' TO BEL FUSE INC. AND SHALL NOT BE COPIED, REPRODUCED OR DISCLOSED WITHOUT THE WRITTEN APPROVAL OF BEL FUSE INC.



SUGGESTED PANEL OPENING



NOTE:

THE DISTANCE OF PANEL INSIDE SURFACE RELATIVE TO FRONT SURFACE OF PART IS ONLY A SUGGESTION. IN CASE THIS DISTANCE IS DIFFERENT, THE REQUIRED PANEL OPENING DIMENSIONS CHANGE ACCORDINGLY.

TRAY PACKING INFORMATION

PACKING TRAY : 0200-9999-E4 (TOP)

0200-9999-E5 (BOTTOM)

PACKING QUANTITY : 60 PCS FINISHED GOODS PER TRAY

11 TRAYS (660 PCS FINISHED GOODS) PER CARTON BOX

NOTE : CARDBOARDS ARE PLACED BETWEEN LAYERS OF PACKING TRAY INSIDE CARTON BOX
(INCLUDE THE UPPERMOST AND LOWERMOST TRAY)

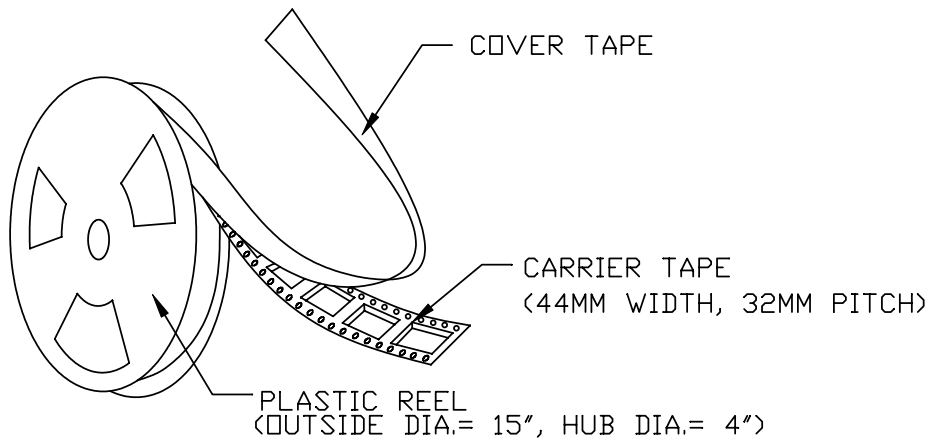
ORIGINATED BY CHEN BILL	DATE 03-02-11	TITLE gigabit MagJack® (Ultra Low Profile) PATENTED	PART NO. / DRAWING NO. L829-1J1T-43		STANDARD DIM. TOL. IN INCH		[] METRIC DIM. AS REFERENCE	
			FILE NAME L829-1J1T-43_F.DWG		.X .XX .XXX	±0.004	UNIT : INCH [mm]	REV. : F
DRAWN BY HE ZHEN	DATE 03-02-11						SCALE : N/A	SIZE : A4
								PAGE : 5



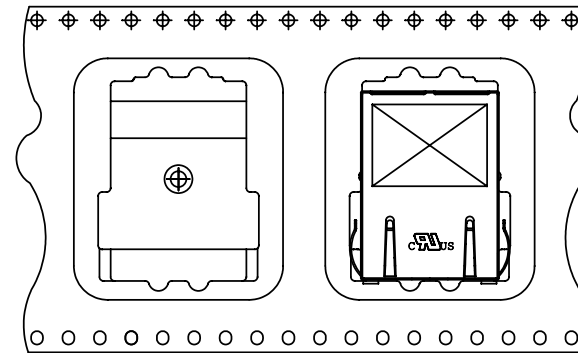
THE INFORMATION CONTAINED HEREIN IS CONSIDERED "PROPRIETARY" TO BEL FUSE INC. AND SHALL NOT BE COPIED, REPRODUCED OR DISCLOSED WITHOUT THE WRITTEN APPROVAL OF BEL FUSE INC.



TAPE AND REEL PACKING INFORMATION



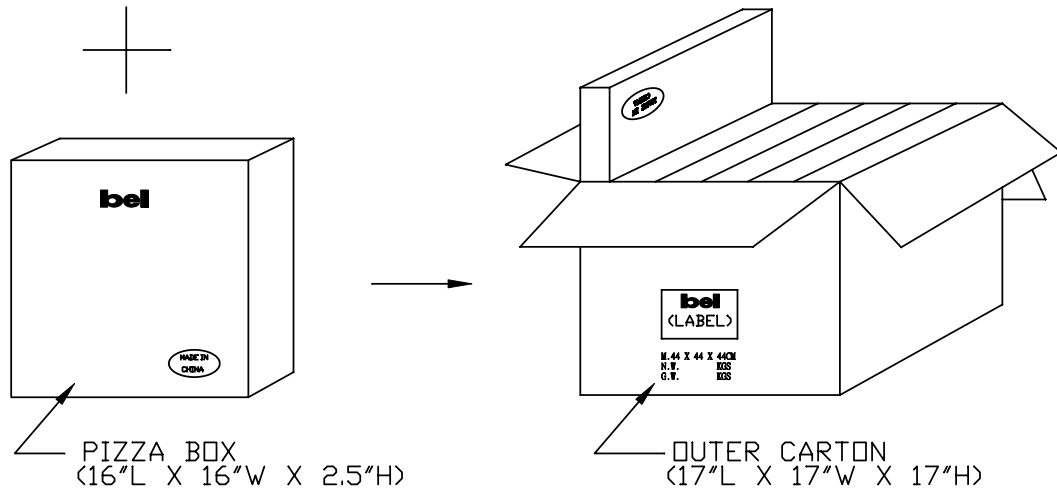
USER FEED DIRECTION



PART ORIENTATION & FEEDING DIRECTION.

NOTES:

- 1) LEAVES 48 INCHES COVER TAPE AND 10 EMPTY POCKETS AT TRAILER.
- 2) LEAVES 24 INCHES COVER TAPE AND 13 EMPTY POCKETS AT LEADER.
- 3) PACK 140 PCS PER REEL.
- 4) EACH PIZZA BOX CONTAINS ONE (1) REEL. (140 PCS FINISHED GOODS EACH PIZZA BOX).
- 5) EACH OUTER CARTON CONTAINS SIX (6) PIZZA BOXES. (840 PCS FINISHED GOODS EACH OUTER CARTON).

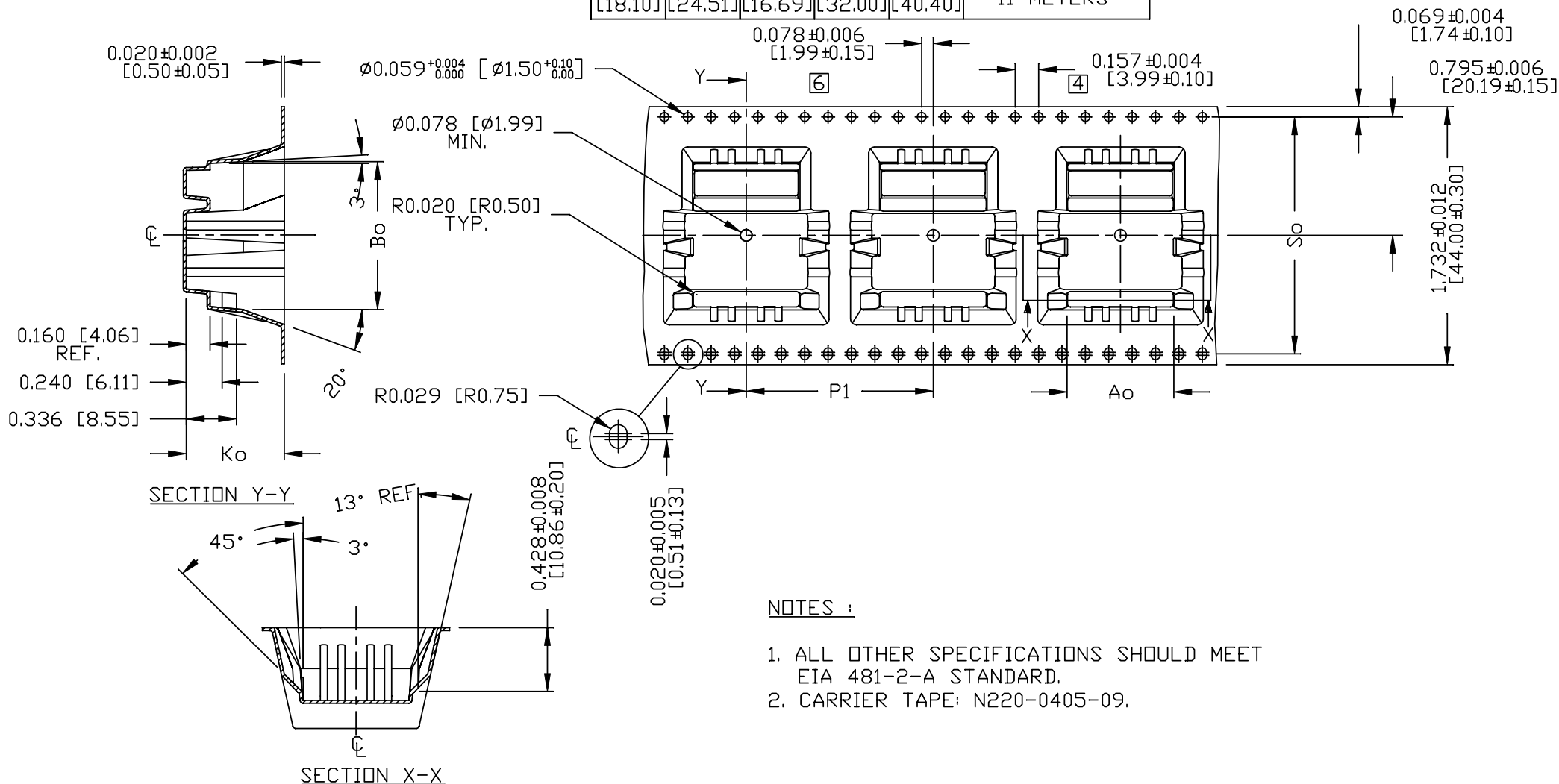


ORIGINATED BY	DATE	TITLE gigabit MagJack® (Ultra Low Profile) PATENTED	PART NO. / DRAWING NO.		STANDARD DIM.		[] METRIC DIM. AS REFERENCE		 COMPONENTS FOR A CONNECTED PLANET
CHEN BILL	03-02-11		L829-1J1T-43		TOL. IN INCH		UNIT : INCH [mm]	REV. : F	
DRAWN BY	DATE	FILE NAME		.X		SCALE : N/A	SIZE : A4		
HE ZHEN	03-02-11	L829-1J1T-43_F.DWG		.XX			PAGE : 6		
					.XXX				

THE INFORMATION CONTAINED HEREIN IS CONSIDERED 'PROPRIETARY' TO BEL FUSE INC. AND SHALL NOT BE COPIED, REPRODUCED OR DISCLOSED WITHOUT THE WRITTEN APPROVAL OF BEL FUSE INC.



DIMENSION CHART					
Ao	Bo	Ko	P1	So	LENGTH/22" REEL
0.713 [18.10]	0.965 [24.51]	0.657 [16.69]	1.260 [32.00]	1.591 [40.40]	11 METERS



NOTES :

1. ALL OTHER SPECIFICATIONS SHOULD MEET EIA 481-2-A STANDARD.
2. CARRIER TAPE: N220-0405-09.

ORIGINATED BY	DATE	TITLE	PART NO. / DRAWING NO.	STANDARD DIM. TOL. IN INCH	[] METRIC DIM. AS REFERENCE	 COMPONENTS FOR A CONNECTED PLANET	
CHEN BILL	03-02-11	gigabit MagJack® (Ultra Low Profile) PATENTED	L829-1J1T-43	.X	UNIT : INCH [mm]		REV. : F
DRAWN BY	DATE		FILE NAME	.XX	SCALE : N/A		SIZE : A4
HE ZHEN	03-02-11		L829-1J1T-43_F.DWG	.XXX ±0.004		PAGE : 7	