

THE INFORMATION CONTAINED HEREIN IS CONSIDERED "PROPRIETARY" TO BEL FUSE INC. AND SHALL NOT BE COPIED, REPRODUCED OR DISCLOSED WITHOUT THE WRITTEN APPROVAL OF BEL FUSE INC.



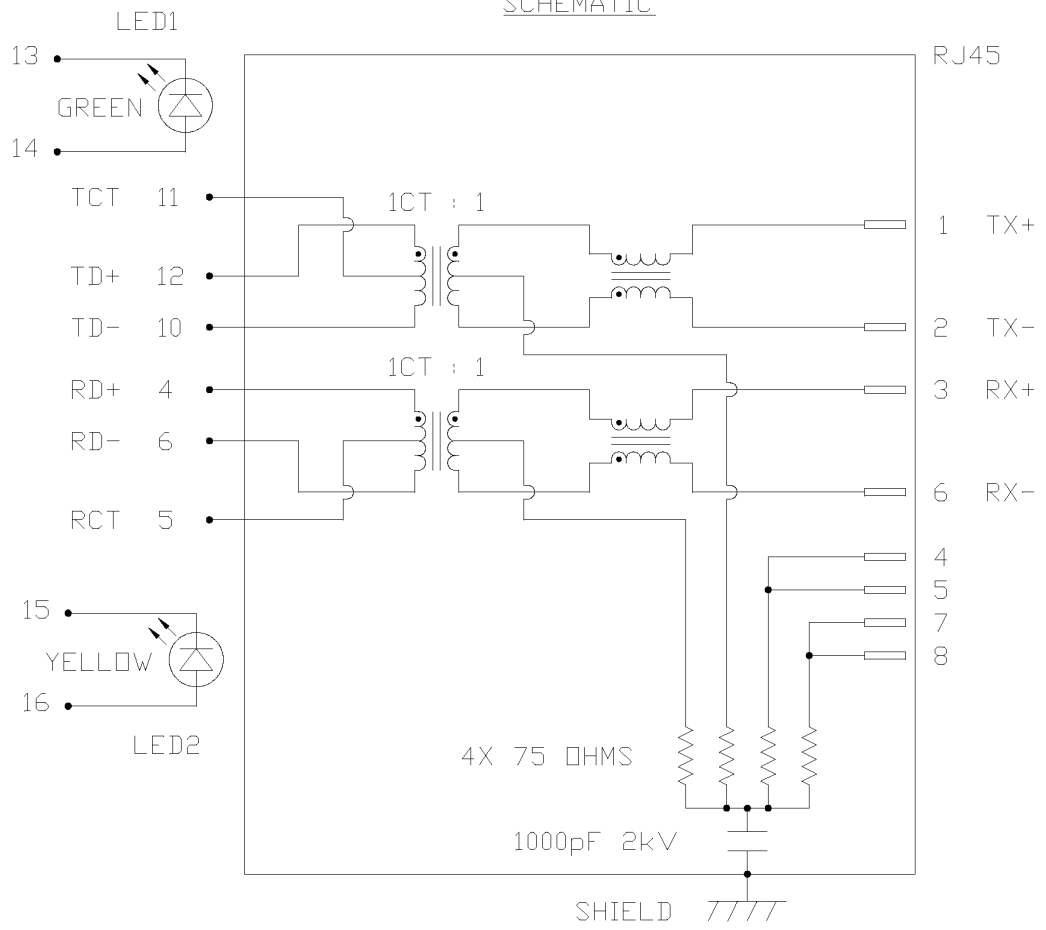
LED1 POLARITY			LED2 POLARITY		
PIN 13	PIN 14	COLOR	PIN 15	PIN 16	COLOR
-	+	GREEN	-	+	YELLOW

ELECTRICAL CHARACTERISTICS @ 25°C

TURNS RATIO
 TX 1CT : 1
 RX 1CT : 1
 OCL @ 100kHz/100mVRMS (0-70°C)
 8mA DC BIAS 350µH MIN.
 INS. LOSS
 0.1MHz TO 1MHz -1.1 dB MAX
 1MHz TO 65MHz -0.5 dB MAX
 65MHz TO 100MHz -0.8 dB MAX
 100MHz TO 125MHz -1.2 dB MAX
 RET. LOSS (MIN) @ 100ΩHMS ±15%
 0.5MHz-40MHz -18 dB
 40MHz-100MHz -12+20LOG(f/80MHz) dB
 CM TO CM REJ
 100kHz - 100MHz -30 dB MIN
 CM TO DM REJ
 100kHz - 100MHz -35 dB MIN
 HIPOT (Isolation Voltage): 1500 Vrms or 2250 VDC
 100% OF PRODUCTION TESTED
 TO COMPLY WITH IEEE 802.3 ISOLATION REQUIREMENTS

LED 1
 VF (FORWARD VOLTAGE) IF=20mA GREEN 2.2V TYP.
 λ D (DOMINANT WAVELENGTH) IF=20mA GREEN 565nm TYP.
 LED 2
 VF (FORWARD VOLTAGE) IF=20mA YELLOW 2.1V TYP.
 λ D (DOMINANT WAVELENGTH) IF=20mA YELLOW 590nm TYP.
 MIXED YELLOW DOES NOT HAVE SPECIFIC WAVELENGTH.

SCHEMATIC



ORIGINATED BY	DATE	TITLE
CHUNG	02-07-07	10/100 MagJack® (Ultra Low Profile)
DRAWN BY	DATE	
DE	02-07-07	

PART NO. / DRAWING NO.	STANDARD DIM.	[] METRIC DIM. AS REFERENCE
L829-1D1T-91	TOL. IN INCH	UNIT : INCH [mm] REV. : A
FILE NAME	.X	SCALE : N/A SIZE : A4
L8291D1T91A.DWG	.XX	⊕
	.XXX	⊕

PAGE : 2

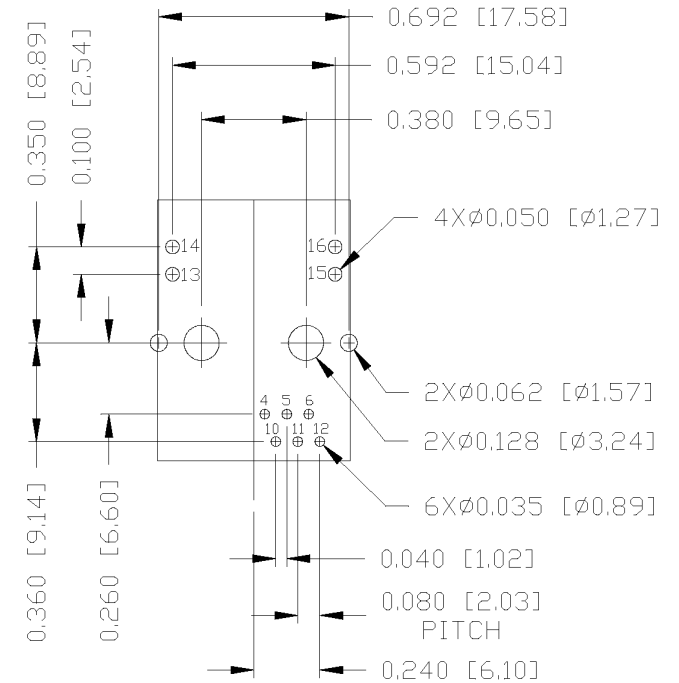
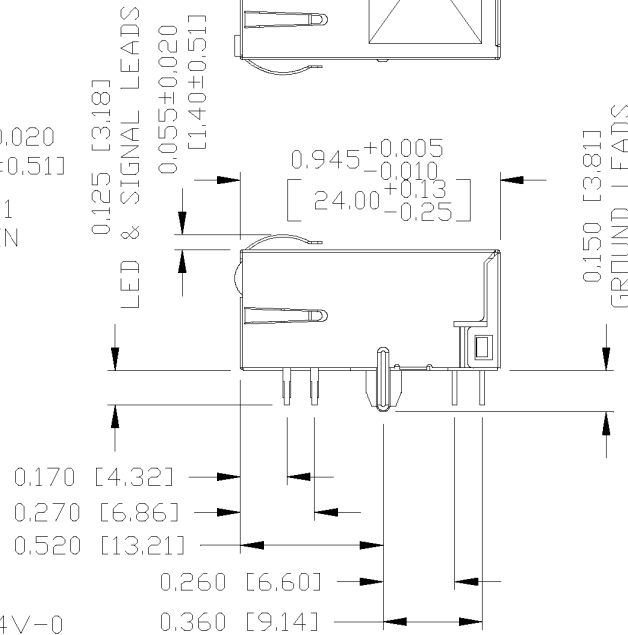
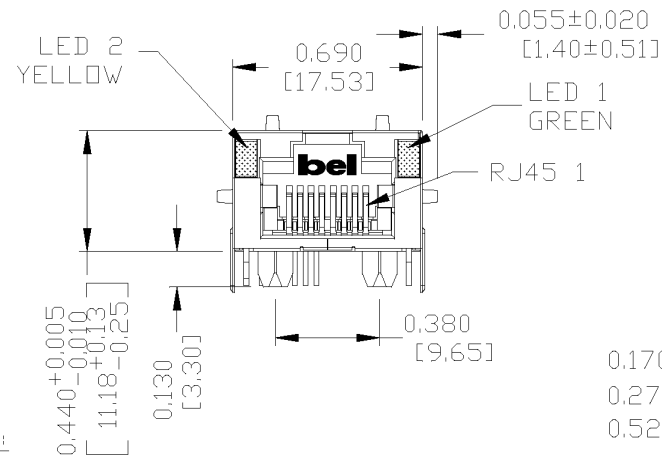


THE INFORMATION CONTAINED HEREIN IS CONSIDERED "PROPRIETARY" TO BEL FUSE INC. AND SHALL NOT BE COPIED, REPRODUCED OR DISCLOSED WITHOUT THE WRITTEN APPROVAL OF BEL FUSE INC.

MECHANICAL SPECIFICATION



RECOMMENDED PCB FOOTPRINT
COMPONENT SIDE VIEW



NOTES:

- PLASTIC HOUSING: THERMOPLASTIC PA 46.
FLAMMABILITY RATING UL 94V-0
- CONTACTS: 30 MICRO-INCH HARD GOLD PLATING
- OUTPUT PINS: TIN-COATED COPPER WIRE, DIA 0.018 INCH.
- METAL SHIELD: NICKEL PLATED ON COPPER ALLOY.
(ALL GROUND LEADS ARE SOLDER DIPPED)
- JACK CAVITY CONFORMS TO FCC RULES AND REGULATIONS.

1. MARK PART WITH MFG. LOGO, MFG. NAME, PART NUMBER (L829-1D1T-91), AND DATE CODE.

- 1. UL RECOGNIZED - FILE #E196366 AND E169987.
- 2. RoHS COMPLIANCE, PER EU DIRECTIVE 2002/95/EC.

ORIGINATED BY	DATE	TITLE	PART NO. / DRAWING NO.	STANDARD DIM. TOL. IN INCH	[] METRIC DIM. AS REFERENCE
QIN/BILL	02-07-07	10/100 MagJack® (Ultra Low Profile)	L829-1D1T-91	.X	UNIT : INCH [mm] REV. : A
DRAWN BY	DATE		FILE NAME	.XX	SCALE : N/A SIZE : A4
TING	02-07-07		L8291D1T91A.DWG	.XXX ±0.010	PAGE : 3

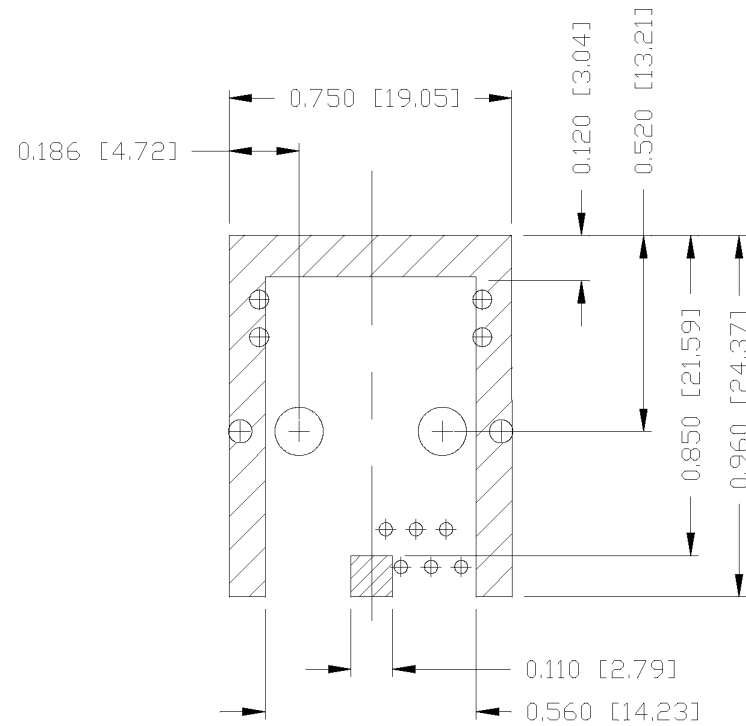


THE INFORMATION CONTAINED HEREIN IS CONSIDERED "PROPRIETARY" TO BEL FUSE INC. AND SHALL NOT BE COPIED, REPRODUCED OR DISCLOSED WITHOUT THE WRITTEN APPROVAL OF BEL FUSE INC.

RoHS
2002/95/EC



SHIELD COVER AREA IN PCB



NOTES:

THE SHADED AREA ON THE CUSTOMER BOARD ARE RECOMMENDED TO BE CLEAR OFF ANY VIA HOLE OR COMPONENT PAD.

ORIGINATED BY QIN/BILL	DATE 02-07-07	TITLE 10/100 MagJack® (Ultra Low Profile)	PART NO. / DRAWING NO. L829-1D1T-91	STANDARD DIM. TOL. IN INCH	[] METRIC DIM. AS REFERENCE
DRAWN BY TING	DATE 02-07-07		FILE NAME L8291D1T91A.DWG	.X .XX .XXX ±0.004	UNIT : INCH [mm] SCALE : N/A

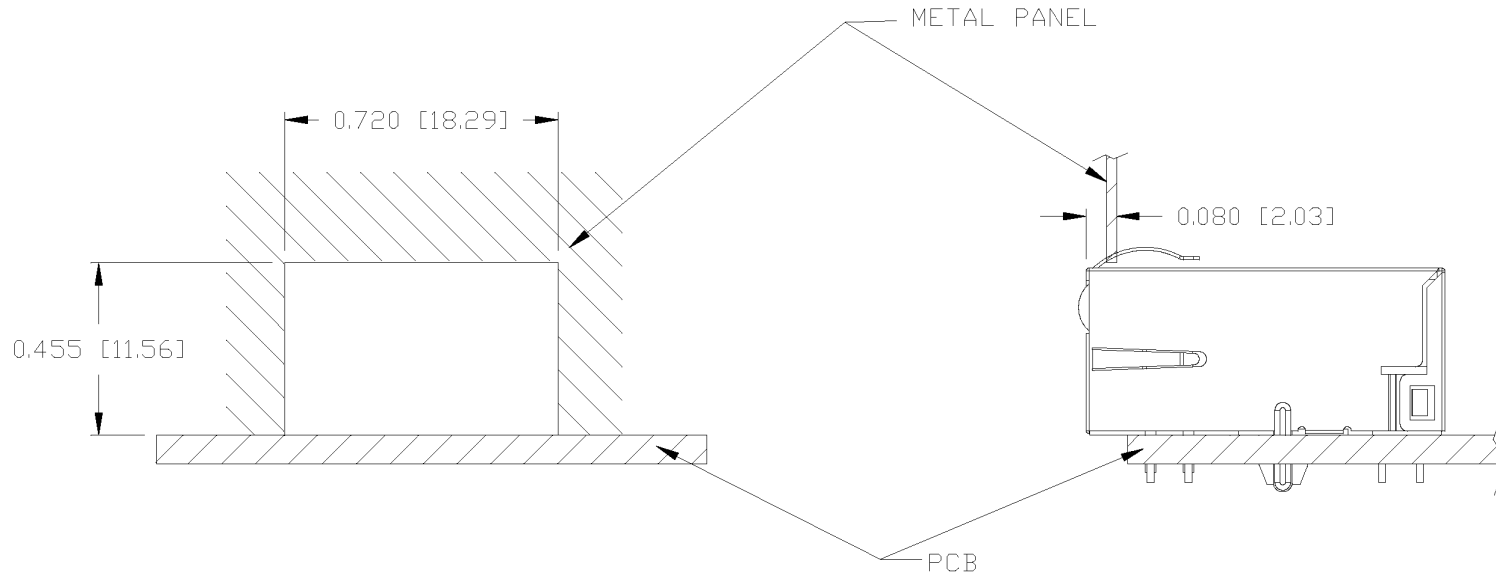


THE INFORMATION CONTAINED HEREIN IS CONSIDERED "PROPRIETARY" TO BEL FUSE INC. AND SHALL NOT BE COPIED, REPRODUCED OR DISCLOSED WITHOUT THE WRITTEN APPROVAL OF BEL FUSE INC.

RoHS
2002/95/EC



SUGGESTED PANEL OPENING



NOTE:

THE DISTANCE OF PANEL INSIDE SURFACE RELATIVE TO FRONT SURFACE OF PART IS ONLY A SUGGESTION. IN CASE THIS DISTANCE IS DIFFERENT, THE REQUIRED PANEL OPENING DIMENSIONS CHANGE ACCORDINGLY.

TRAY PACKING INFORMATION

PACKING TRAY : 0200-9999-E4 (TOP)
0200-9999-E5 (BOTTOM)

PACKING QUANTITY : 60 PCS FINISHED GOODS PER TRAY
11 TRAYS (660 PCS FINISHED GOODS) PER CARTON BOX

NOTE : CARDBOARDS ARE PLACED BETWEEN LAYERS OF PACKING TRAY INSIDE CARTON BOX
(INCLUDE THE UPPERMOST AND LOWERMOST TRAY)

ORIGINATED BY QIN/BILL	DATE 02-07-07	TITLE 10/100 MagJack® (Ultra Low Profile)	PART NO. / DRAWING NO. L829-1D1T-91		STANDARD DIM. TOL. IN INCH		[] METRIC DIM. AS REFERENCE	
			FILE NAME L8291D1T91A.DWG		.X		UNIT : INCH [mm]	REV. : A
DRAWN BY TING	DATE 02-07-07				.XX		SCALE : N/A	SIZE : A4
					.XXX	±0.004		PAGE : 5

