

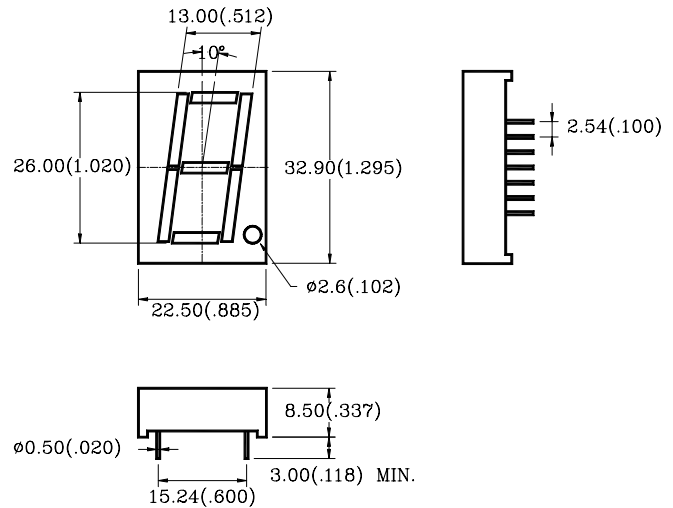
● **Features :**

1. 1.0 inch (26.0mm) Digit Height.
2. Continuous uniform segments.
3. Low power requirement.
4. Excellent characters appearance.
5. Solid state reliability.
6. Categorized for luminous intensity.
7. Direct drive common anode.

● **Description :**

1. The BS-AA05RD is a 26.00mm(1.00") high single digit seven segments display.
2. This product use bright red chips, which are made from GaP on GaP substrate.
3. This product have a black face and white segments.
4. This product doesn't contain restriction substance, comply ROHS standard.

● **Package Dimensions :**



Notes:

1. All dimensions are in millimeters(inches).
2. Tolerance is ± 0.25 mm(.01") unless otherwise specified.
3. Specifications are subject to change without notice.

● **Internal Circuit Diagram :**

