

THE INFORMATION CONTAINED HEREIN IS CONSIDERED "PROPRIETARY" TO BEL FUSE INC. AND SHALL NOT BE COPIED, REPRODUCED OR DISCLOSED WITHOUT THE WRITTEN APPROVAL OF BEL FUSE INC.

LED 1 POLARITY			LED 2 POLARITY		
PIN 7	PIN 8	COLOR	PIN 9	PIN 10	COLOR
-	+	GREEN	-	+	GREEN
+	-	YELLOW			

PRELIMINARY



ELECTRICAL CHARACTERISTICS @ 25°C

URNS RATIO

TX 1CT : 1  
RX 1CT : 1

QCL @ 100kHz/100mVRMS  
8mA DC BIAS 350 μH MIN.

INS. LOSS  
1MHz TO 100MHz -1.0 dB MAX

RET. LOSS (MIN)  
1MHz-30MHz -18 dB  
30MHz-60MHz -18+20LOG(F/30MHz) dB  
60MHz-80MHz -12 dB

CROSS TALK (TX - RX)  
500kHz-1MHz -70 dB MIN  
10 MHz -50 dB MIN  
30 MHz -45 dB MIN  
50 MHz -40 dB MIN  
100 MHz -35 dB MIN

CM TO CM REJ  
100kHz-100MHz -30 dB MIN

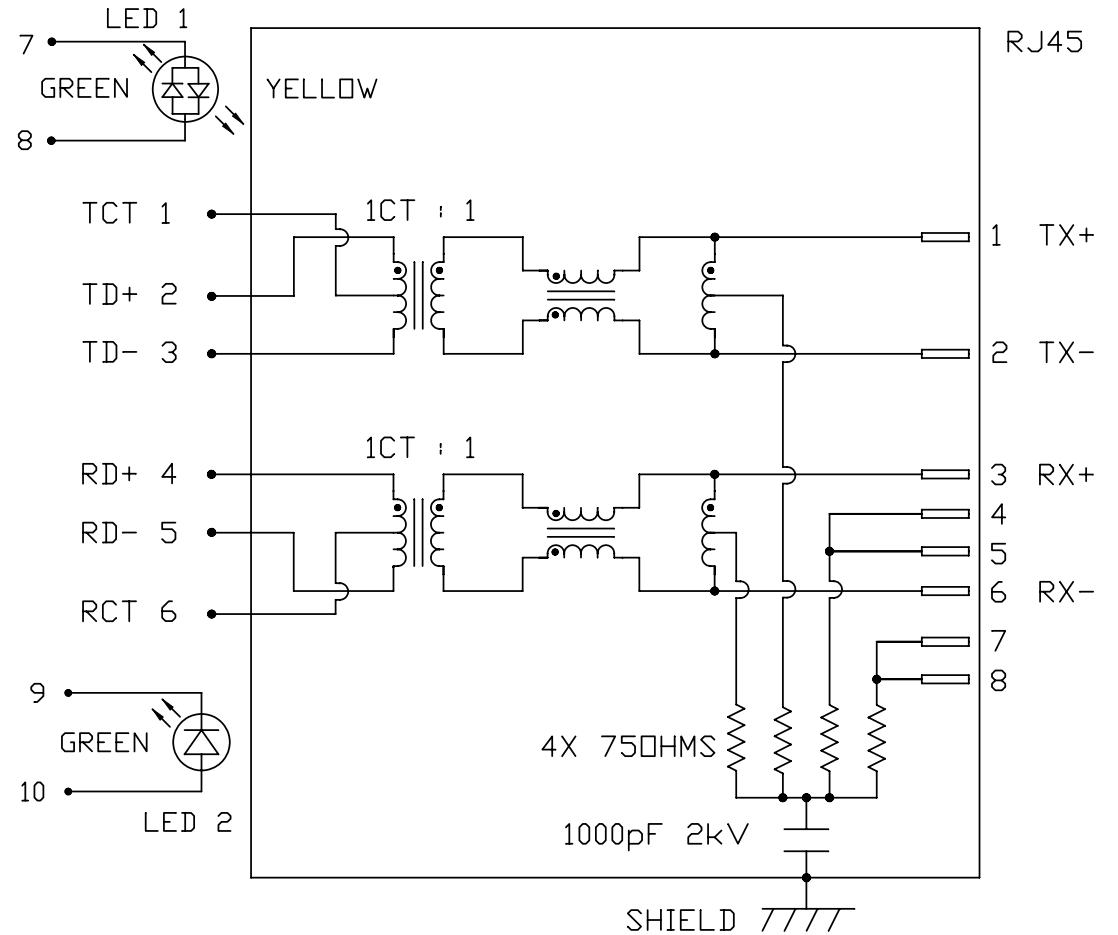
CM TO DM REJ  
100kHz-100MHz -35 dB MIN

HIPOT (Isolation Voltage): 1500 Vrms  
100% OF PRODUCTION TESTED TO COMPLY WITH IEEE 802.3 ISOLATION REQUIREMENTS.

LED 1  
VF (FORWARD VOLTAGE) IF=20mA GREEN 2.2V TYP.  
YELLOW 2.1V TYP.  
λD (DOMINANT WAVELENGTH) IF=20mA GREEN 565nm TYP.  
YELLOW 590nm TYP.

LED 2  
VF (FORWARD VOLTAGE) IF=20mA GREEN 2.2V TYP.  
λD (DOMINANT WAVELENGTH) IF=20mA GREEN 565nm TYP.

SCHEMATIC

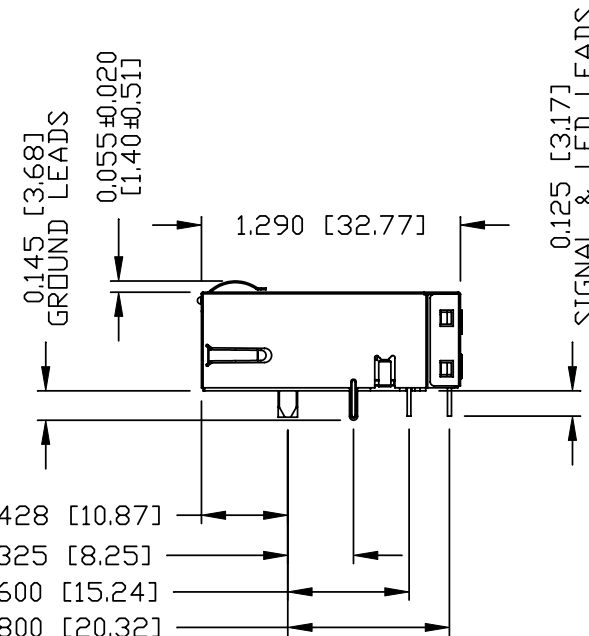
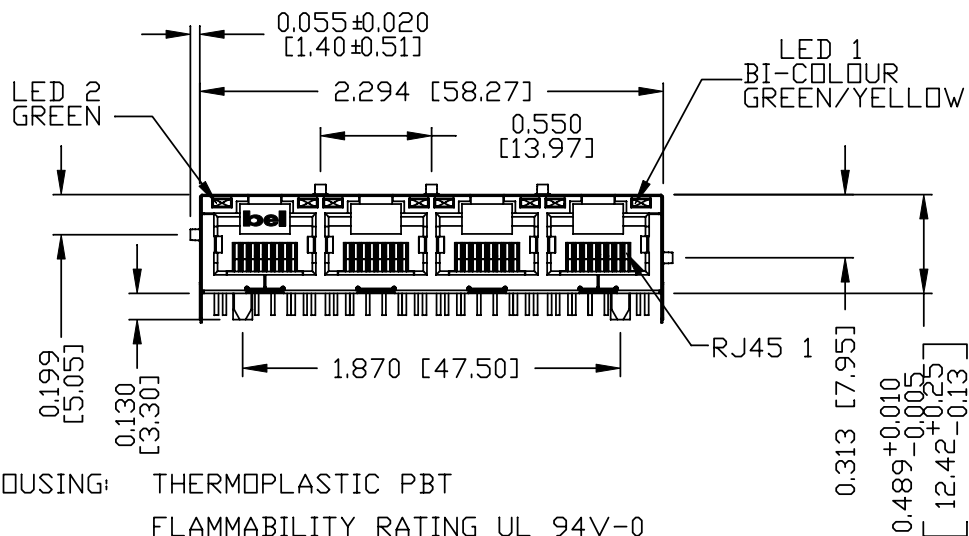
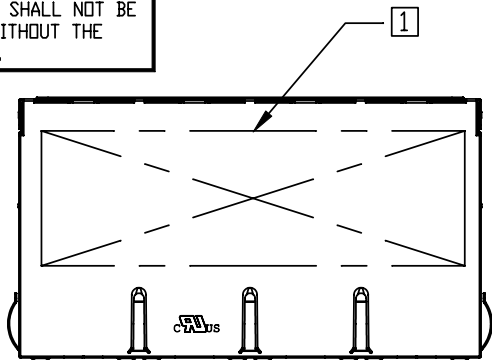


ORIGINATED BY	DATE	TITLE
CHOW WANGCHUNG	05-29-10	1X4 MagJack® (LOW PROFILE)
DRAWN BY	DATE	TITLE
LEE WEIDE	05-29-10	L826-1L4T-16-F

PART NO. / DRAWING NO.	STANDARD DIM.	[ ] METRIC DIM. AS REFERENCE
L8261L4T16-F	TOL. IN INCH	UNIT : INCH [mm] REV. : PB
FILE NAME	.X	SCALE : N/A SIZE : A4
L8261L4T16-F_PB.DWG	.XX	⊕
	.XXX	PAGE : 2


THE INFORMATION CONTAINED HEREIN IS CONSIDERED "PROPRIETARY" TO BEL FUSE INC. AND SHALL NOT BE COPIED, REPRODUCED OR DISCLOSED WITHOUT THE WRITTEN APPROVAL OF BEL FUSE INC.

PRELIMINARY



NOTES:

- PLASTIC HOUSING: THERMOPLASTIC PBT  
FLAMMABILITY RATING UL 94V-0
- CONTACTS PLATING: 50 MICRO-INCH HARD GOLD PLATING
- PINS: TIN-COATED COPPER WIRE, DIA 0.018 INCH.
- METAL SHIELD: NICKEL PLATED ON COPPER ALLOY.  
(ALL GROUND LEADS ARE SOLDER DIPPING)

[1] MARK PART WITH MFG LOGO, MFG NAME, PART NUMBER, DATE CODE AND PATENTED.

- 1. UL RECOGNIZED - FILE #E196366 AND E169987. JACK CAVITY CONFORMS TO FCC RULES AND REGULATIONS. RoHS COMPLIANCE, PER EU DIRECTIVE 2002/95/EC.
- 2. THE PRODUCT IS PATENT PRODUCT. THE PATENT NUMBER IS U.S. PAT. 5,736,910.

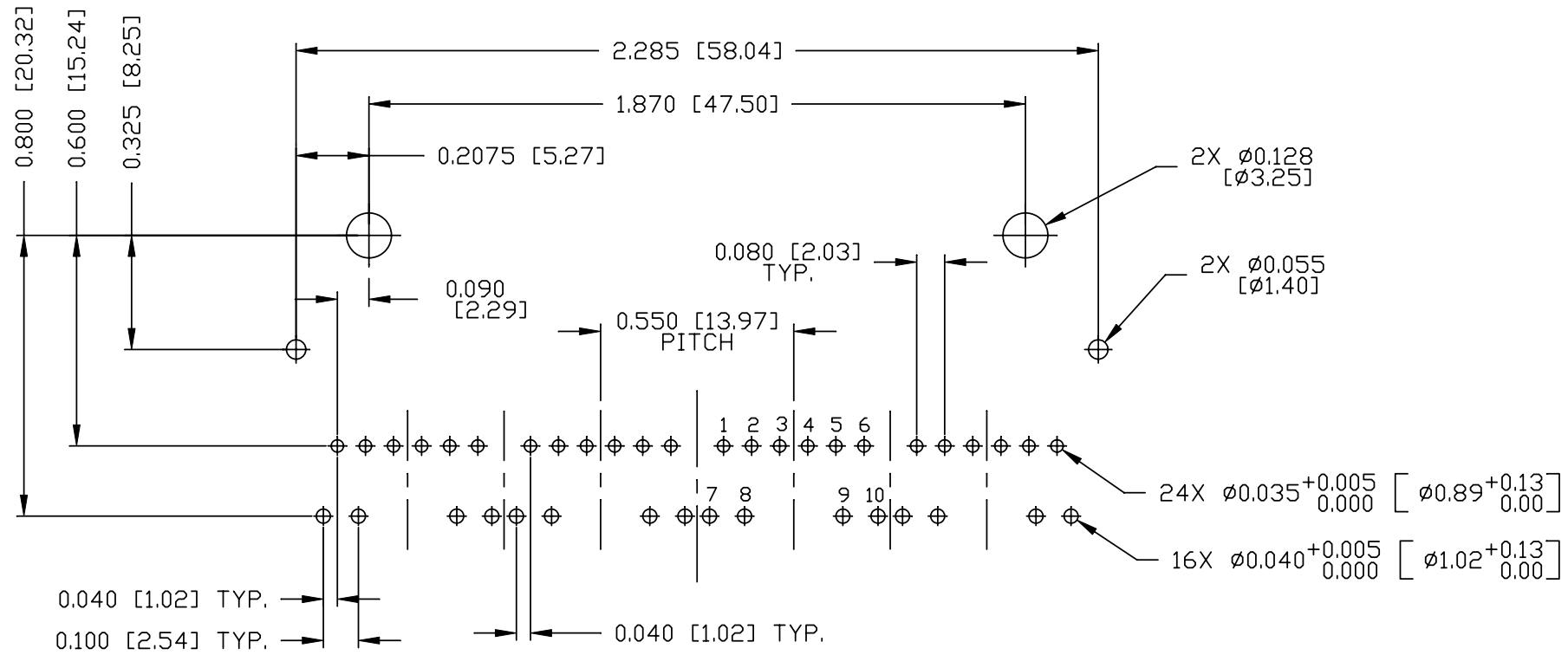
ORIGINATED BY	DATE	TITLE	PART NO. / DRAWING NO.	STANDARD DIM. TOL. IN INCH	[ ] METRIC DIM. AS REFERENCE	 COMPONENTS FOR A CONNECTED PLANET	
ANTON LIAO	05-29-10	1X4 MagJack® (LOW PROFILE)	L8261L4T16-F	.X	UNIT : INCH [mm]		REV. : PB
DRAWN BY	DATE			.XX	SCALE : N/A		SIZE : A4
SHAWN FENG	05-29-10	L826-1L4T-16-F	L8261L4T16-F_PB.DWG	.XXX ±0.010			PAGE : 3

THE INFORMATION CONTAINED HEREIN IS CONSIDERED "PROPRIETARY" TO BEL FUSE INC. AND SHALL NOT BE COPIED, REPRODUCED OR DISCLOSED WITHOUT THE WRITTEN APPROVAL OF BEL FUSE INC.

PRELIMINARY



RECOMMENDED PCB FOOTPRINT  
(COMPONENT SIDE VIEW)



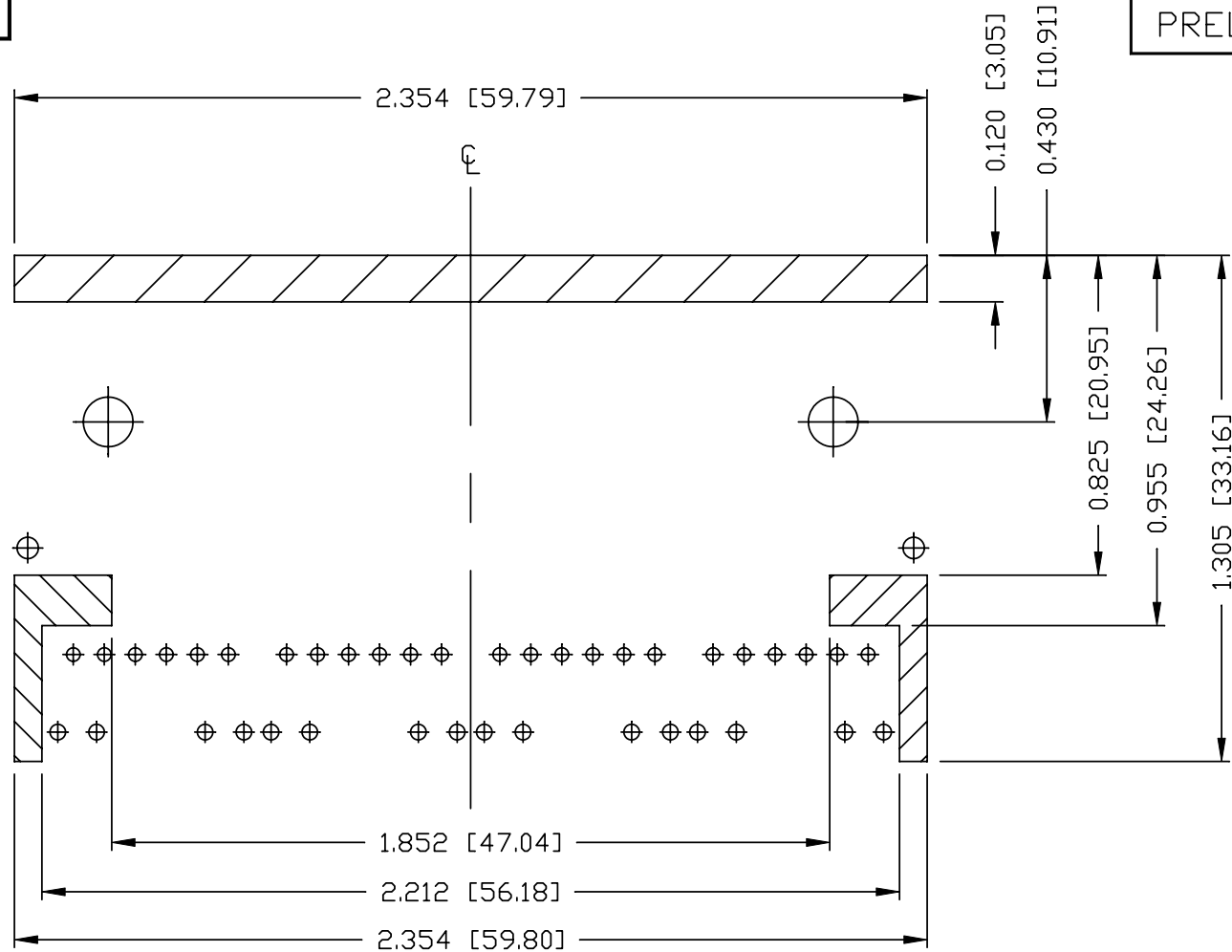
ORIGINATED BY ANTON LIAO	DATE 05-29-10	TITLE 1X4 MagJack® (LOW PROFILE) L826-1L4T-16-F	PART NO. / DRAWING NO. L8261L4T16-F		STANDARD DIM. TOL. IN INCH		[ ] METRIC DIM. AS REFERENCE		 COMPONENTS FOR A CONNECTED PLANET
	DRAWN BY SHAWN FENG		DATE 05-29-10	FILE NAME L8261L4T16-F_PB.DWG	.X		UNIT : INCH [mm]	REV. : PB	
				.XX		SCALE : N/A	SIZE : A4		
				.XXX	±0.004		PAGE : 4		

THE INFORMATION CONTAINED HEREIN IS CONSIDERED "PROPRIETARY" TO BEL FUSE INC. AND SHALL NOT BE COPIED, REPRODUCED OR DISCLOSED WITHOUT THE WRITTEN APPROVAL OF BEL FUSE INC.

RoHS  
2002/95/EC



PRELIMINARY



**NOTES**

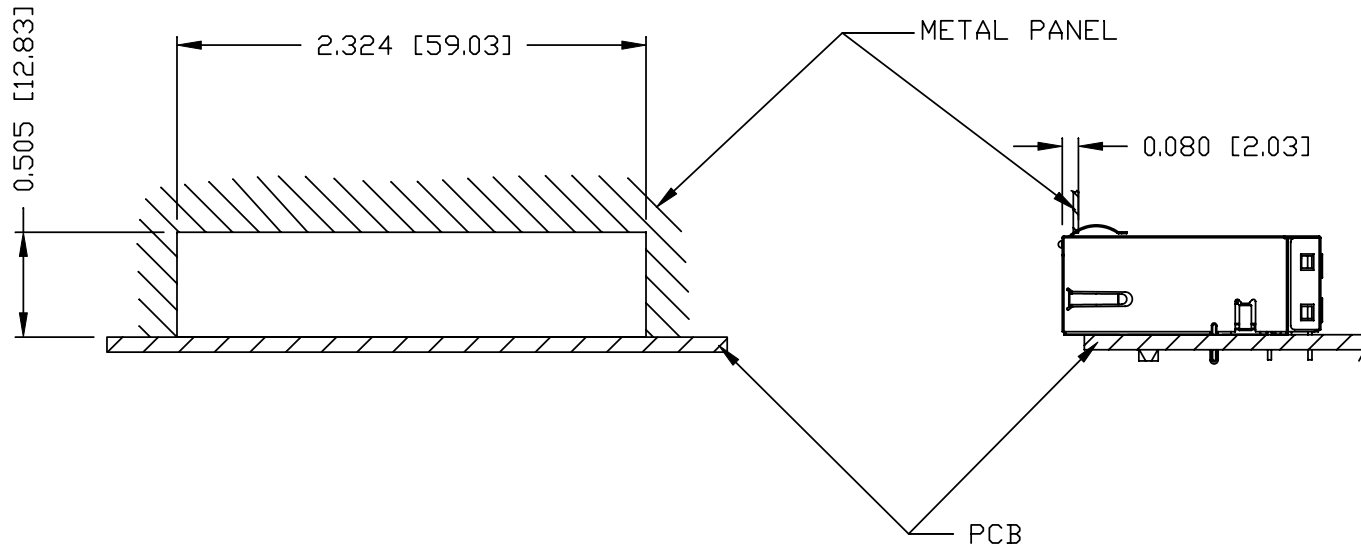
THE SHADED AREA ON THE CUSTOMER BOARD ARE RECOMMENDED TO BE CLEAR OFF ANY VIA HOLE OR COMPONENT PAD.

ORIGINATED BY ANTON LIAO	DATE 05-29-10	TITLE 1X4 MagJack® (LOW PROFILE) L826-1L4T-16-F	PART NO. / DRAWING NO. L8261L4T16-F		STANDARD DIM. TOL. IN INCH		[ ] METRIC DIM. AS REFERENCE		 COMPONENTS FOR A CONNECTED PLANET
			FILE NAME L8261L4T16-F_PB.DWG		.X		UNIT : INCH [mm]	REV. : PB	
DRAWN BY SHAWN FENG	DATE 05-29-10				.XX		SCALE : N/A	SIZE : A4	
					.XXX	±0.004		PAGE : 5	

THE INFORMATION CONTAINED HEREIN IS CONSIDERED "PROPRIETARY" TO BEL FUSE INC. AND SHALL NOT BE COPIED, REPRODUCED OR DISCLOSED WITHOUT THE WRITTEN APPROVAL OF BEL FUSE INC.

SUGGESTED PANEL OPENING

PRELIMINARY



NOTE:

THE DISTANCE OF PANEL INSIDE SURFACE RELATIVE TO FRONT SURFACE OF PART IS ONLY A SUGGESTION. IN CASE THIS DISTANCE IS DIFFERENT, THE REQUIRED PANEL OPENING DIMENSIONS CHANGE ACCORDINGLY.

PACKING INFORMATION

PACKING TRAY: 0200-9999-D3 (TOP)

0200-9999-B5 (BOTTOM)

PACKING QUANTITY: 24 PCS FINISHED GOODS PER TRAY

10 TRAYS (240PCS FINISHED GOODS) PER CARTON BOX

REMARK : CARDBOARDS ARE PLACED BETWEEN LAYERS OF PACKING TRAY INSIDE CARTON BOX. (INCLUDE THE UPPERMOST AND LOWERMOST TRAY)

<b>ORIGINATED BY</b> ANTON LIAD	<b>DATE</b> 05-29-10	<b>TITLE</b> 1X4 MagJack® (LOW PROFILE) L826-1L4T-16-F	<b>PART NO. / DRAWING NO.</b> L8261L4T16-F	<b>STANDARD DIM. TOL. IN INCH</b>	<b>[ ] METRIC DIM. AS REFERENCE</b>	
<b>DRAWN BY</b> SHAWN FENG	<b>DATE</b> 05-29-10		<b>FILE NAME</b> L8261L4T16-F_PB.DWG	.X .XX .XXX	±0.004	UNIT : INCH [mm] SCALE : N/A

