

# BRIGHT LED ELECTRONICS CORP.

## LED DISPLAY SPECIFICATION

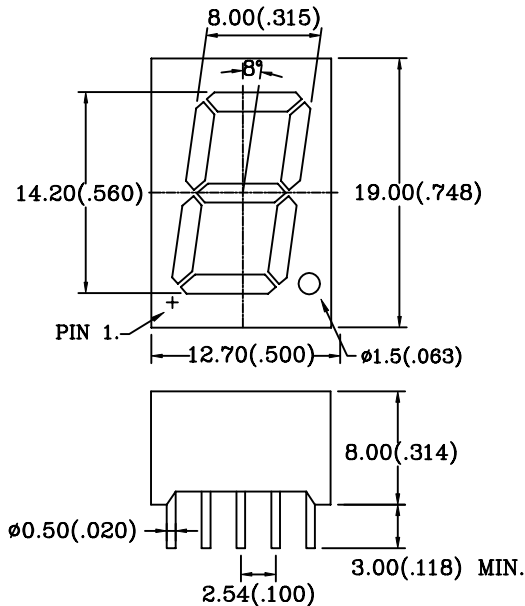
- COMMODITY : 0.56" (14.20mm) SINGLE DIGIT LED DISPLAY
- DEVICE NUMBER: BS-A556RD
- ELECTRICAL AND OPTICAL CHARACTERISTICS (Ta = 25 C)

CHIP		Absolute Maximum Rating				Electro-optical Data (At 10Ma)			Surface Color	Segment Color
Emitted Color	Peak Wave Length $\lambda P$ (nm)	$\Delta \lambda$ (nm)	Pd (mW)	If (mA)	Peak If(mA)	Vf(V)		Iv Typ. (mcd)		
						Typ.	Max.			
Super Red	660	20	60	30	150	1.7	2.5	7.0	Black	White

### ABSOLUTE MAXIMUM RATINGS (Ta=25°C)

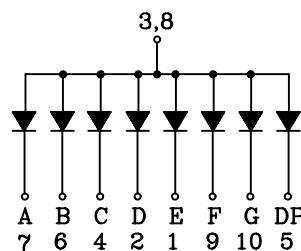
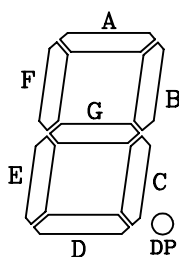
Reverse Voltage .....	5V
Reverse Current (-Vr=5V) .....	50 $\mu$ A
Operating Temperature Range .....	-40°C ~ 80°C
Storage Temperature Range .....	-40°C ~ 85°C
Lead Soldering Temperature (1/16" From Body).....	260°C For 5 Seconds

### PACKAGE DIMENSIONS:



- NOTES:  
 1.All dimensions are in millimeters(inches).  
 2.Tolerance is  $\pm 0.25$ mm(.01") unless otherwise specified.  
 3.Specifications are subject to change without notice.

### PIN FUNCTIONS:



RELEASED:



ENGINEER:

