

THE INFORMATION CONTAINED HEREIN IS CONSIDERED "PROPRIETARY" TO BEL FUSE INC. AND SHALL NOT BE COPIED, REPRODUCED OR DISCLOSED WITHOUT THE WRITTEN APPROVAL OF BEL FUSE INC.

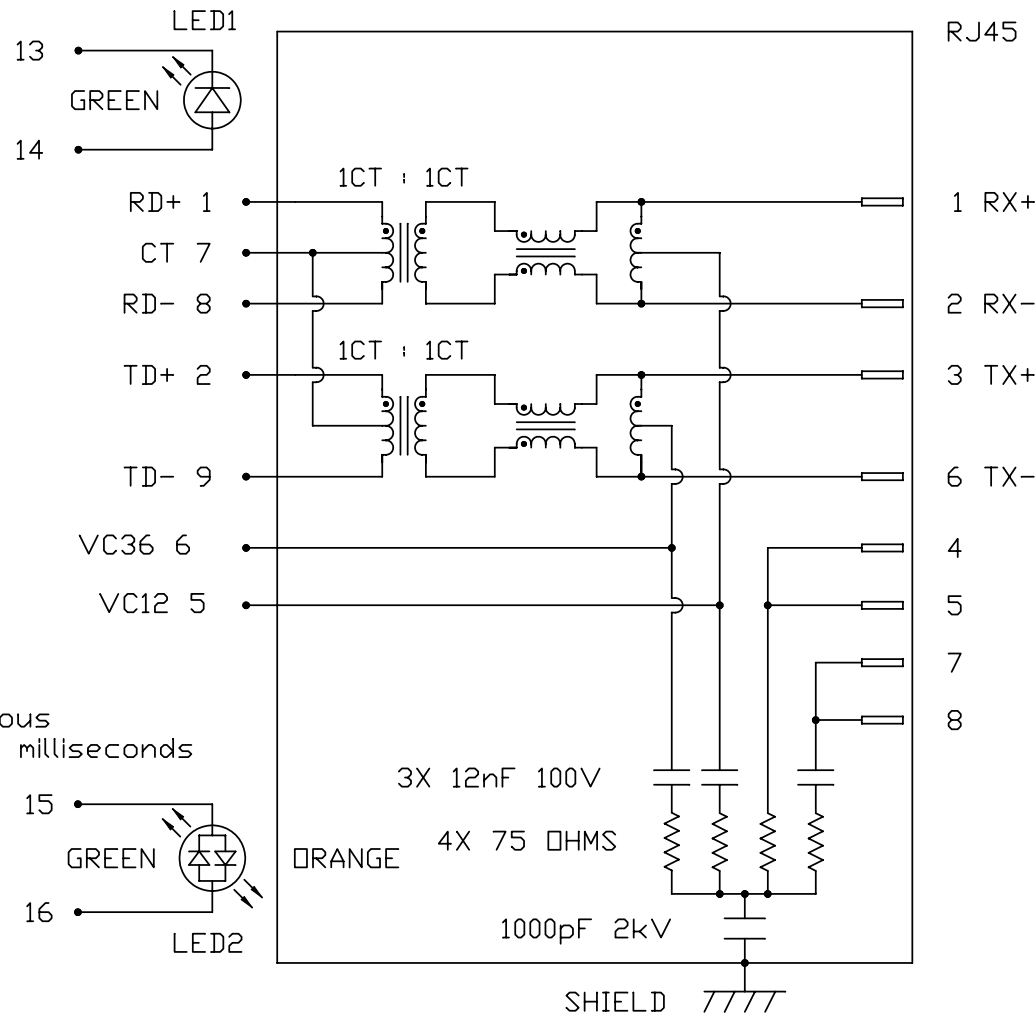


LED1 POLARITY			LED2 POLARITY		
PIN 13	PIN 14	COLOR	PIN 15	PIN 16	COLOR
-	+	GREEN	+	-	ORANGE
			-	+	GREEN

**ELECTRICAL CHARACTERISTICS @ 25°C**

URNS RATIO	1CT : 1CT ±2%
□CL @ 100kHz/100mVRMS 8mA DC BIAS	350µH MIN.
INS. LOSS 100kHz TO 100MHZ	-1.5 dB MAX
RET. LOSS (MIN) 2MHZ-30MHZ 60MHZ-80MHZ	-16 dB MIN. -10 dB MIN.
D.C. RESISTANCE (1-8)=(2-9) (RJ1-RJ2)=(RJ3-RJ6)	1.0 ΩHM MAX. 1.4 ΩHM MAX.
INTERWINDING CAPACITANCE PER CHANNEL (PRI. to SEC)	40 pF MAX.
CROSS TALK 100kHz - 100MHZ	-30 dB MIN.
HIPOT (Isolation Voltage) 100% OF PRODUCT TESTED IN PRODUCTION TO COMPLY WITH IEEE 802.3 REQUIREMENTS	2250 VDC
BALANCED DC LINE CURRENT	350mA MAX. @ 57 VDC continuous 500mA MAX. @ 57 VDC for 200 milliseconds

LED 1				
VF (FORWARD VOLTAGE)	IF=20mA	GREEN	2.2V TYP.	
λD (DOMINANT WAVELENGTH)	IF=20mA	GREEN	565nm TYP.	
LED 2				
VF (FORWARD VOLTAGE)	IF=20mA	GREEN	2.2V TYP.	
		ORANGE	2.0V TYP.	
λD (DOMINANT WAVELENGTH)	IF=20mA	GREEN	565nm TYP.	
		ORANGE	610nm TYP.	



ORIGINATED BY	DATE	TITLE
CHOW WANCHUNG	05-29-10	1X4 MagJack® VOIP WITH LEDs
DRAWN BY	DATE	
LEE WEIDE	05-29-10	L826-1E4M-P5-F

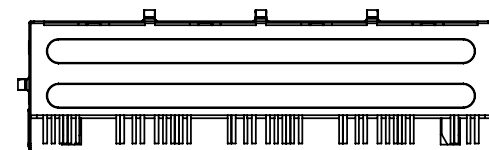
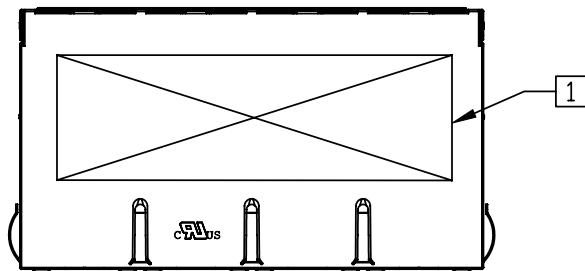
PART NO. / DRAWING NO.	STANDARD DIM.	[ ] METRIC DIM. AS REFERENCE
L8261E4MP5-F	TOL. IN INCH	UNIT : INCH [mm] REV. : B
FILE NAME	.X	SCALE : N/A SIZE : A4
L8261E4MP5-F_B.DWG	.XX	⊕ - - - - - PAGE : 2
	.XXX	

REV. : B	SIZE : A4	PAGE : 2
----------	-----------	----------

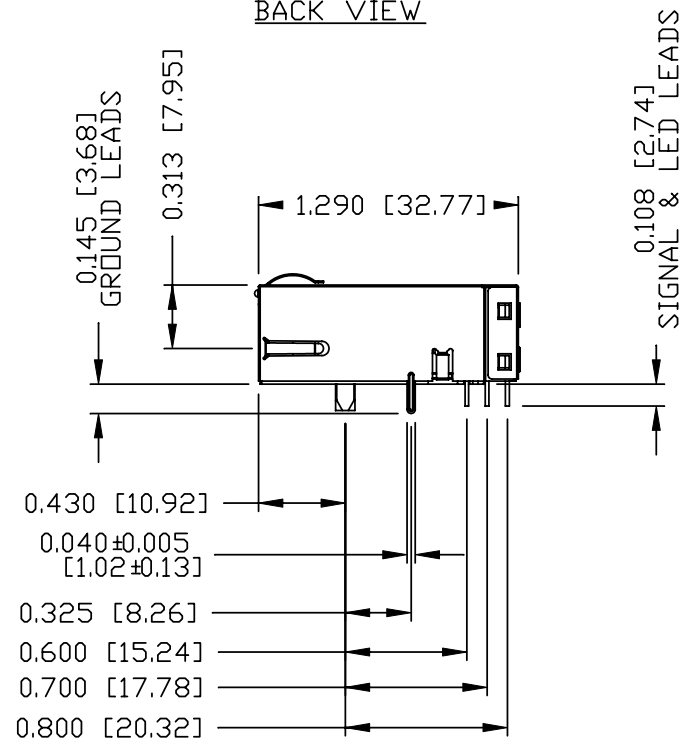
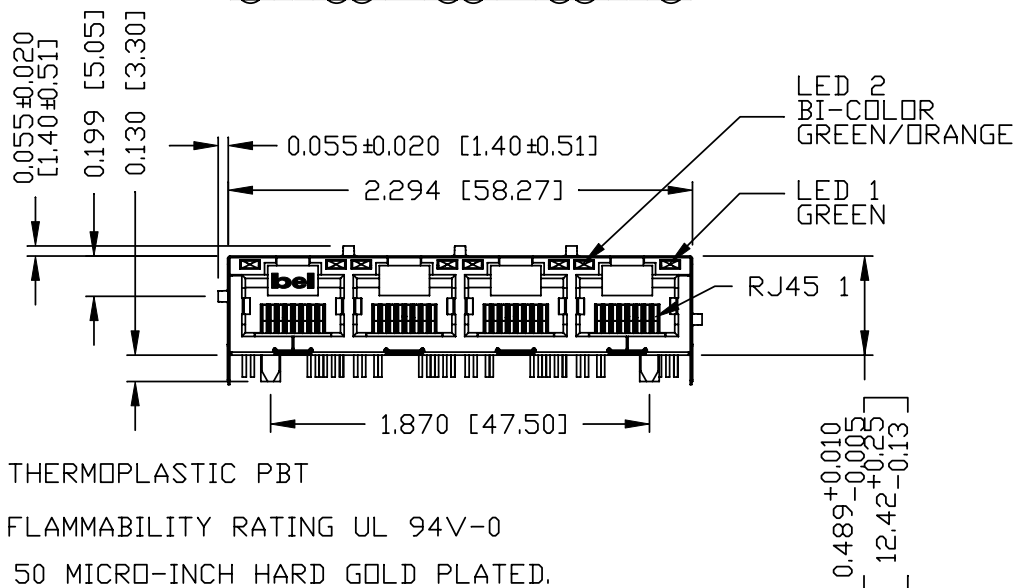


THE INFORMATION CONTAINED HEREIN IS CONSIDERED "PROPRIETARY" TO BEL FUSE INC. AND SHALL NOT BE COPIED, REPRODUCED OR DISCLOSED WITHOUT THE WRITTEN APPROVAL OF BEL FUSE INC.

RoHS  
2002/95/EC



BACK VIEW



NOTES:

- PLASTIC HOUSING: THERMOPLASTIC PBT
- FLAMMABILITY RATING UL 94V-0
- CONTACTS PLATING: 50 MICRO-INCH HARD GOLD PLATED.
- PINS: TIN-COATED COPPER WIRE, DIA 0.018 INCH.
- METAL SHIELD: NICKEL PLATED ON COPPER ALLOY  
(ALL GROUND LEADS ARE SOLDER DIPPED.)

1. MARK PART WITH MFG LOGO, MFG NAME, PART NUMBER DATE CODE AND PATENTED.  
UL RECOGNIZED - FILE #E196366 AND E169987.  
JACK CAVITY CONFORMS TO FCC RULES AND REGULATIONS.  
RoHS COMPLIANCE, PER EU DIRECTIVE 2002/95/EC.

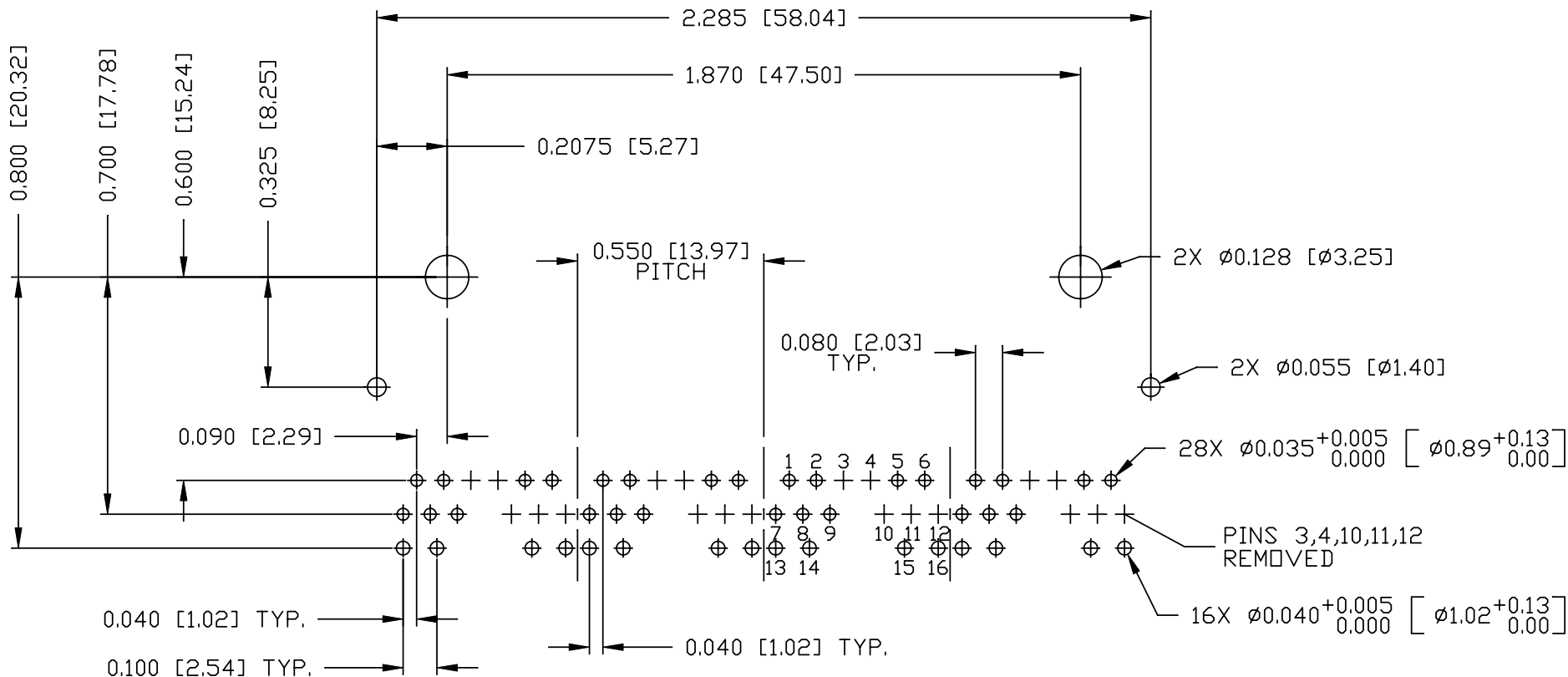
2. THE PRODUCT IS PATENT PRODUCT. THE PATENT NUMBER IS U.S. PAT. 5,736,910.

ORIGINATED BY	DATE	TITLE	PART NO. / DRAWING NO.	STANDARD DIM. TOL. IN INCH	[ ] METRIC DIM. AS REFERENCE
ANTON LIAO	05-29-10	1X4 MagJack® VOIP WITH LEDs L826-1E4M-P5-F	L8261E4MP5-F	.X	UNIT : INCH [mm] REV. : B
DRAWN BY	DATE			.XX	SCALE : N/A SIZE : A4
SHAWN FENG	05-29-10		L8261E4MP5-F_B.DWG	.XXX ±0.010	PAGE : 3



THE INFORMATION CONTAINED HEREIN IS CONSIDERED  
 "PROPRIETARY" TO BEL FUSE INC. AND SHALL NOT BE  
 COPIED, REPRODUCED OR DISCLOSED WITHOUT THE  
 WRITTEN APPROVAL OF BEL FUSE INC.

RoHS  
 2002/95/EC



RECOMMENDED PCB FOOTPRINT  
 (COMPONENT SIDE VIEW)

ORIGINATED BY ANTON LIAO	DATE 05-29-10
DRAWN BY SHAWN FENG	DATE 05-29-10

TITLE 1X4 MagJack® VOIP WITH LEDs L826-1E4M-P5-F
---

PART NO. / DRAWING NO. L8261E4MP5-F
FILE NAME L8261E4MP5-F_B.DWG

STANDARD DIM. TOL. IN INCH	[ ] METRIC DIM. AS REFERENCE
.X	UNIT : INCH [mm]
.XX	SCALE : N/A
.XXX ±0.004	REV. : B
	SIZE : A4
	PAGE : 4

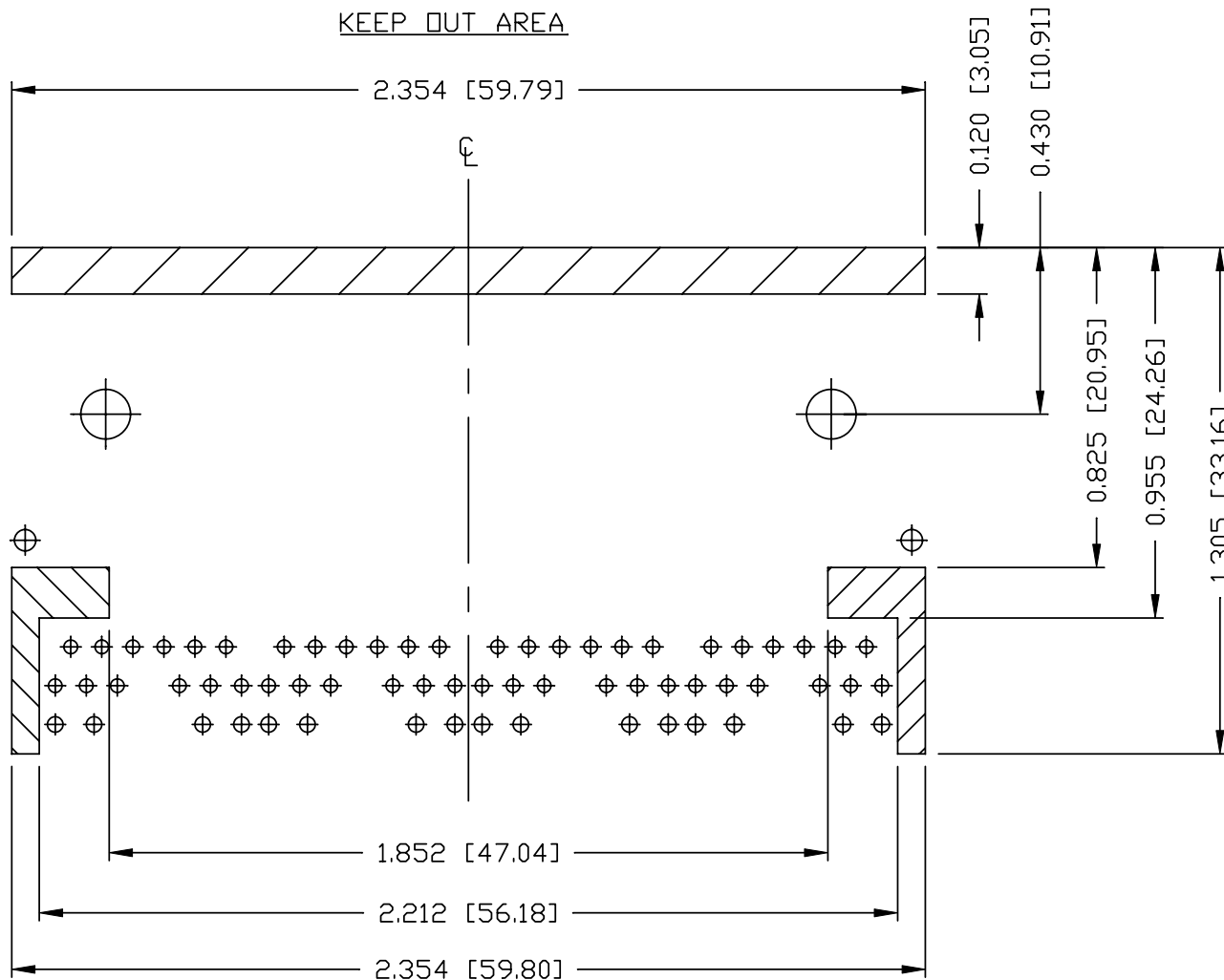


THE INFORMATION CONTAINED HEREIN IS CONSIDERED 'PROPRIETARY' TO BEL FUSE INC. AND SHALL NOT BE COPIED, REPRODUCED OR DISCLOSED WITHOUT THE WRITTEN APPROVAL OF BEL FUSE INC.

RoHS  
2002/95/EC



KEEP OUT AREA



NOTES

THE SHADED AREA ON THE CUSTOMER BOARD ARE RECOMMENDED TO BE CLEAR OFF ANY VIA HOLE OR COMPONENT PAD.

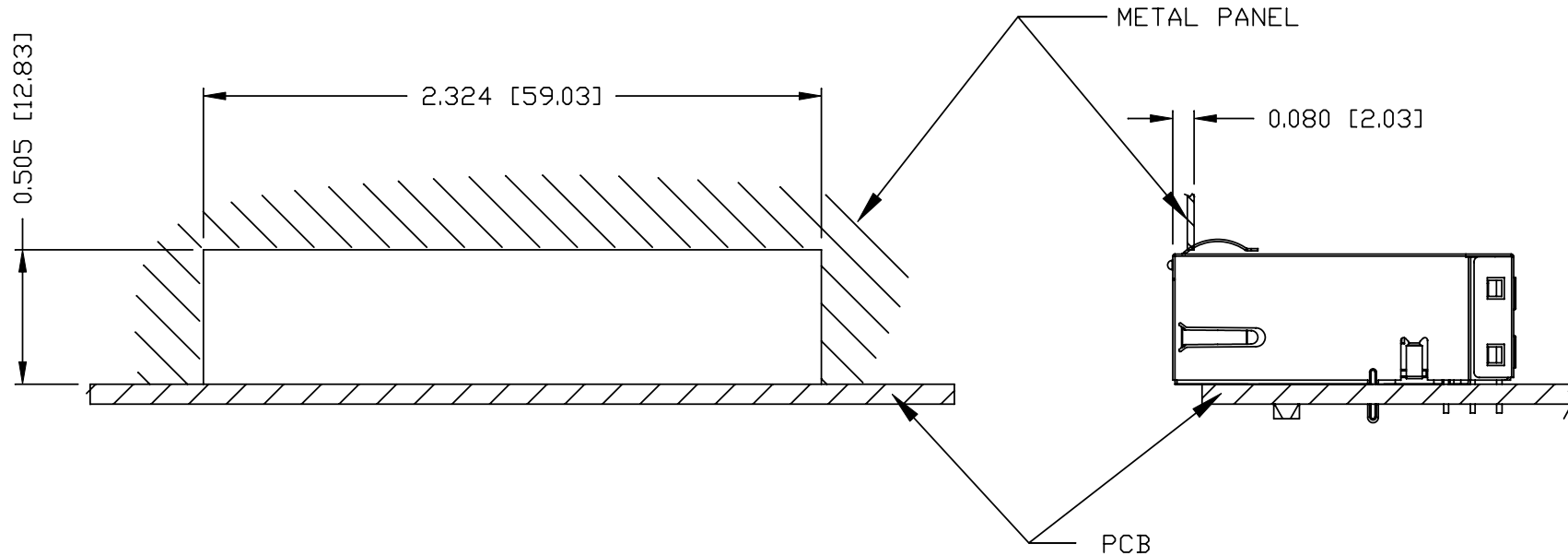
ORIGINATED BY ANTON LIAO	DATE 05-29-10	TITLE 1X4 MagJack® VOIP WITH LEDs L826-1E4M-P5-F	PART NO. / DRAWING NO. L8261E4MP5-F		STANDARD DIM. TOL. IN INCH		[ ] METRIC DIM. AS REFERENCE		 COMPONENTS FOR A CONNECTED PLANET
	DRAWN BY SHAWN FENG		DATE 05-29-10	FILE NAME L8261E4MP5-F_B.DWG	.X		UNIT : INCH [mm]	REV. : B	
				.XX		SCALE : N/A	SIZE : A4		
				.XXX	±0.004		PAGE : 5		

THE INFORMATION CONTAINED HEREIN IS CONSIDERED "PROPRIETARY" TO BEL FUSE INC. AND SHALL NOT BE COPIED, REPRODUCED OR DISCLOSED WITHOUT THE WRITTEN APPROVAL OF BEL FUSE INC.

RoHS  
2002/95/EC



SUGGESTED PANEL OPENING



**NOTE:**  
THE DISTANCE OF PANEL INSIDE SURFACE RELATIVE TO FRONT SURFACE OF PART IS ONLY A SUGGESTION. IN CASE THIS DISTANCE IS DIFFERENT, THE REQUIRED PANEL OPENING DIMENSIONS CHANGE ACCORDINGLY.

PACKING INFORMATION

PACKING TRAY: 0200-9999-D3 (TOP)

0200-9999-B5 (BOTTOM)

PACKING QUANTITY: 24 PCS FINISHED GOODS PER TRAY

10 TRAYS (240PCS FINISHED GOODS) PER CARTON BOX

REMARK: CARDBOARDS ARE PLACED BETWEEN LAYERS OF PACKING TRAY INSIDE CARTON BOX

(INCLUDE THE UPPERMOST AND LOWERMOST TRAY)

ORIGINATED BY ANTON LIAO	DATE 05-29-10	TITLE 1X4 MagJack® VOIP WITH LEDs L826-1E4M-P5-F	PART NO. / DRAWING NO. L8261E4MP5-F	STANDARD DIM. TOL. IN INCH		[ ] METRIC DIM. AS REFERENCE		bel
				.X		UNIT : INCH [mm]	REV. : A	
DRAWN BY SHAWN FENG	DATE 05-29-10		FILE NAME L8261E4MP5-F_B.DWG	.XX		SCALE : N/A	SIZE : A4	COMPONENTS FOR A CONNECTED PLANET
				.XXX	±0.004		PAGE : 6	