

THE INFORMATION CONTAINED HEREIN IS CONSIDERED "PROPRIETARY" TO BEL FUSE INC. AND SHALL NOT BE COPIED, REPRODUCED OR DISCLOSED WITHOUT THE WRITTEN APPROVAL OF BEL FUSE INC.

LED 1 POLARITY			LED 2 POLARITY		
PIN 13	PIN 14	COLOR	PIN 15	PIN 16	COLOR
-	+	GREEN	-	+	YELLOW

RoHS
2002/95/EC



RJ45

ELECTRICAL CHARACTERISTICS @ 25°C

URNS RATIO

TP1	1CT : 1CT ±2%
TP2	1CT : 1CT ±2%
TP3	1CT : 1CT ±2%
TP4	1CT : 1CT ±2%

CL @ 100kHz/100mVRMS

8mA DC BIAS 350µH MIN.

INS. LOSS

0.1MHz TO 1MHz	-1.1 dB MAX
1MHz TO 65MHz	-0.5 dB MAX
65MHz TO 100MHz	-0.8 dB MAX
100MHz TO 125MHz	-1.2 dB MAX

RET. LOSS (MIN)

0.5MHz-40MHz	-18 dB
40MHz-100MHz	-12+20LOG(f/80MHz) dB

Cross Talk

Ch1-Ch2, Ch2-Ch3, Ch3-Ch4
Ch4-Ch1, Ch2-Ch4, Ch3-Ch1

1MHz - 30MHz	-37dB MIN
30MHz - 80MHz	-29dB MIN
80MHz - 100MHz	-28dB MIN

CM TO DM REJ

100kHz - 100MHz -35 dB MIN

HIPOT (Isolation Voltage):

1500 Vrms or 2250VDC

100% OF PRODUCTION TESTED TO COMPLY

WITH IEEE 802.3 ISOLATION REQUIREMENTS.

LED 1

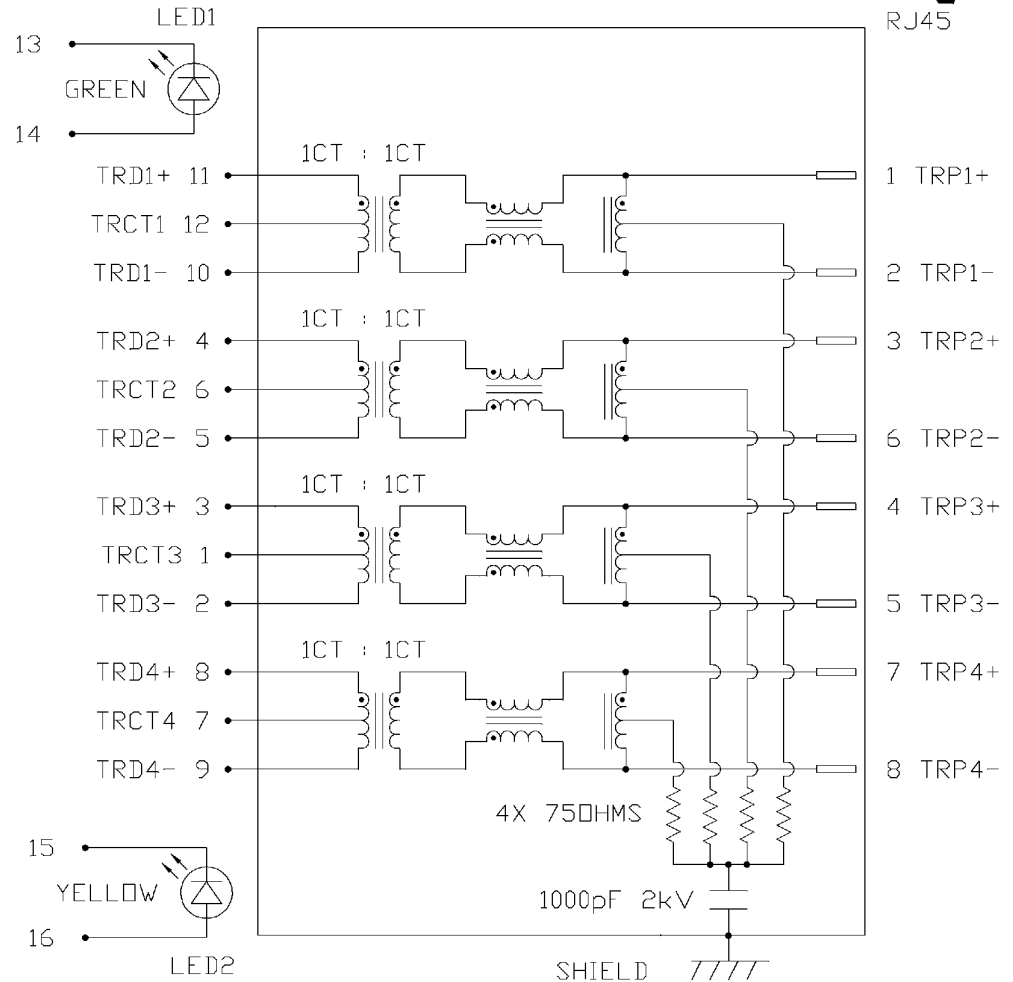
VF (FORWARD VOLTAGE) IF=20mA GREEN 2.2V TYP.

λD (DOMINANT WAVELENGTH) IF=20mA GREEN 565nm TYP.

LED 2

VF (FORWARD VOLTAGE) IF=20mA YELLOW 2.1V TYP.

λD (DOMINANT WAVELENGTH) IF=20mA YELLOW 590nm TYP.



ORIGINATED BY	DATE	TITLE
CW CHUNG	08-08-07	gigabit MagJack® (Low Profile, 12 cores)
DRAWN BY	DATE	
LEE WEI DE	08-08-07	L826-1D1T-23-F

PART NO. / DRAWING NO.
L8261D1T23-F
FILE NAME
L8261D1T23-F_A.DWG

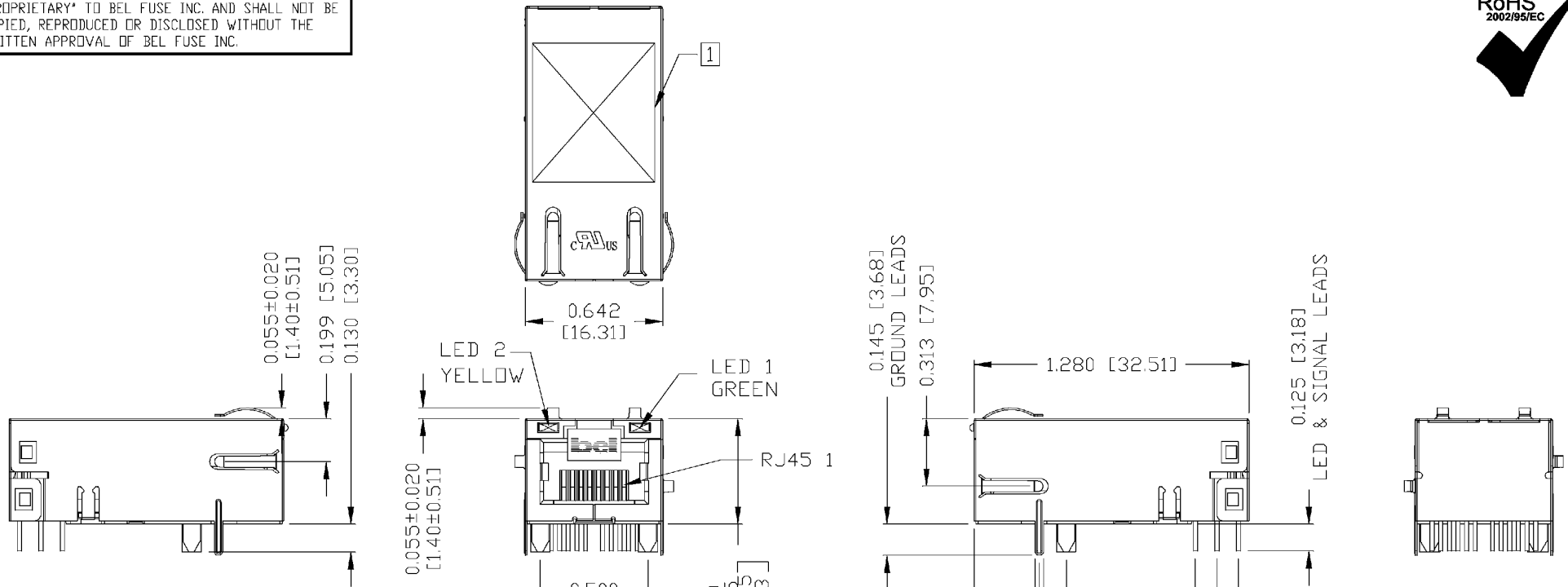
STANDARD DIM.	[] METRIC DIM. AS REFERENCE
TOL. IN INCH	UNIT : INCH [mm]
.X	REV. : A
.XX	SCALE : N/A
.XXX	SIZE : A4
	PAGE : 2

STANDARD DIM.	[] METRIC DIM. AS REFERENCE
TOL. IN INCH	UNIT : INCH [mm]
.X	REV. : A
.XX	SCALE : N/A
.XXX	SIZE : A4
	PAGE : 2



THE INFORMATION CONTAINED HEREIN IS CONSIDERED "PROPRIETARY" TO BEL FUSE INC. AND SHALL NOT BE COPIED, REPRODUCED OR DISCLOSED WITHOUT THE WRITTEN APPROVAL OF BEL FUSE INC.

RoHS
2002/95/EC



NOTES:

- PLASTIC HOUSING: THERMOPLASTIC PBT
FLAMMABILITY RATING UL 94V-0
- CONTACTS PLATING: 50 MICRO-INCH HARD GOLD PLATING
- PINS: TIN-COATED COPPER WIRE, DIA 0.018 INCH.
- METAL SHIELD: NICKLE PLATED ON COPPER ALLOY.
(ALL GROUND LEADS ARE SOLDER DIPPING)

1] MARK PART WITH MFG. LOGO; MFG. NAME; PART NUMBER; DATE CODE.

cFLUs UL RECOGNIZED - FILE #E196366 AND E169987.
JACK CAVITY CONFORMS TO FCC RULES AND REGULATIONS.
RoHS COMPLIANCE, PER EU DIRECTIVE 2002/95/EC.

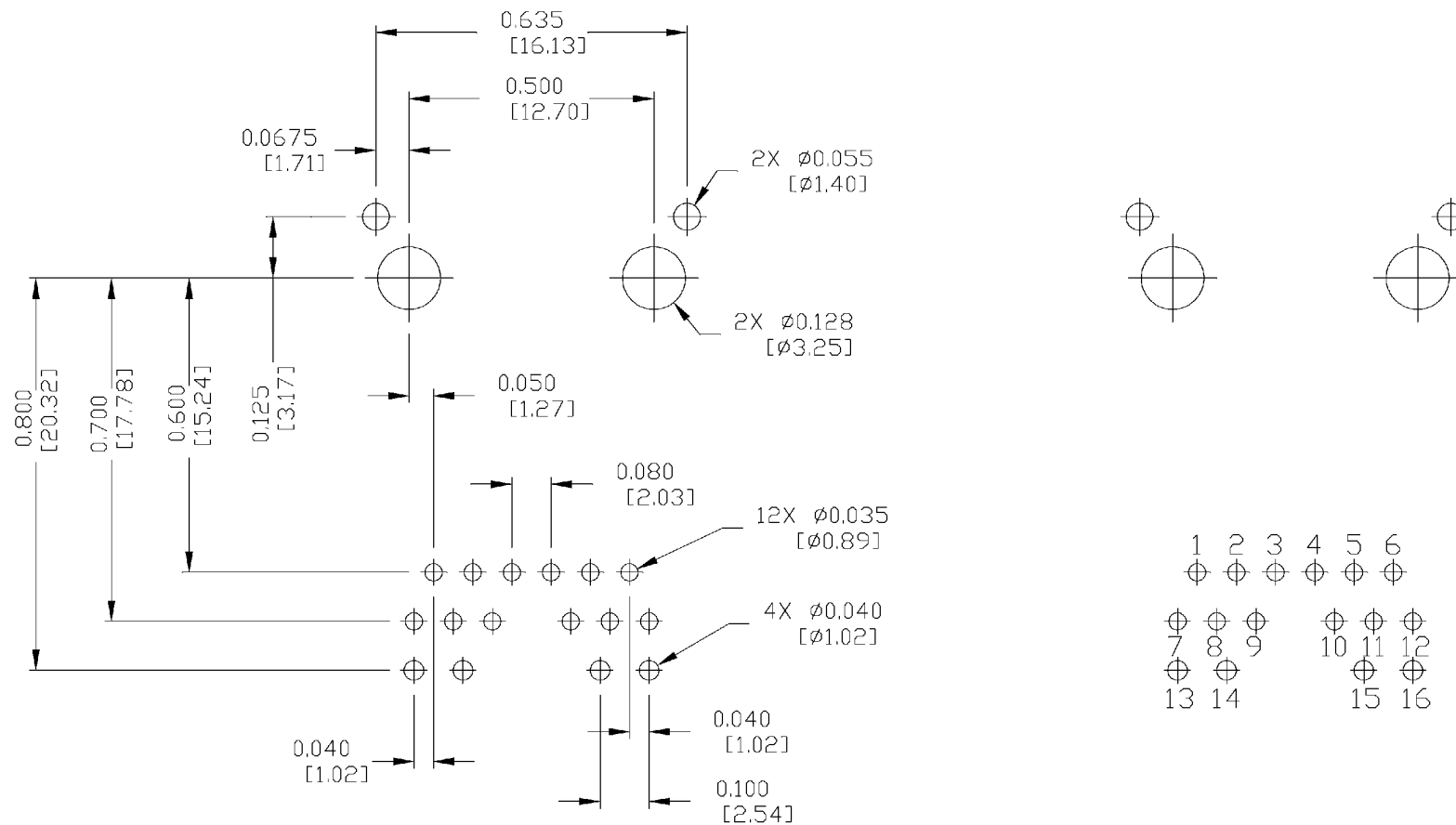
ORIGINATED BY	DATE	TITLE	PART NO. / DRAWING NO.	STANDARD DIM. TOL. IN INCH	[] METRIC DIM. AS REFERENCE	<p>COMPONENTS ON A CONNECTED PLANET</p>	
CHEN BILL	08-08-07	gigabit MagJack® (Low Profile, 12 cores)	L8261D1T23-F	.X	UNIT : INCH [mm]		REV. : A
DRAWN BY	DATE		FILE NAME	.XX	SCALE : N/A		SIZE : A4
LIU QIN	08-08-07	L826-1D1T-23-F	L8261D1T23-F_A.DWG	.XXX ±0.010	PAGE : 3		

THE INFORMATION CONTAINED HEREIN IS CONSIDERED "PROPRIETARY" TO BEL FUSE INC. AND SHALL NOT BE COPIED, REPRODUCED OR DISCLOSED WITHOUT THE WRITTEN APPROVAL OF BEL FUSE INC.

RoHS
2002/95/EC



RECOMMENDED PCB FOOTPRINT
(COMPONENT SIDE VIEW)



ORIGINATED BY	DATE
CHEN BILL	08-08-07
DRAWN BY	DATE
LIU QIN	08-08-07

TITLE
gigabit MagJack® (Low Profile, 12 cores) L826-1D1T-23-F

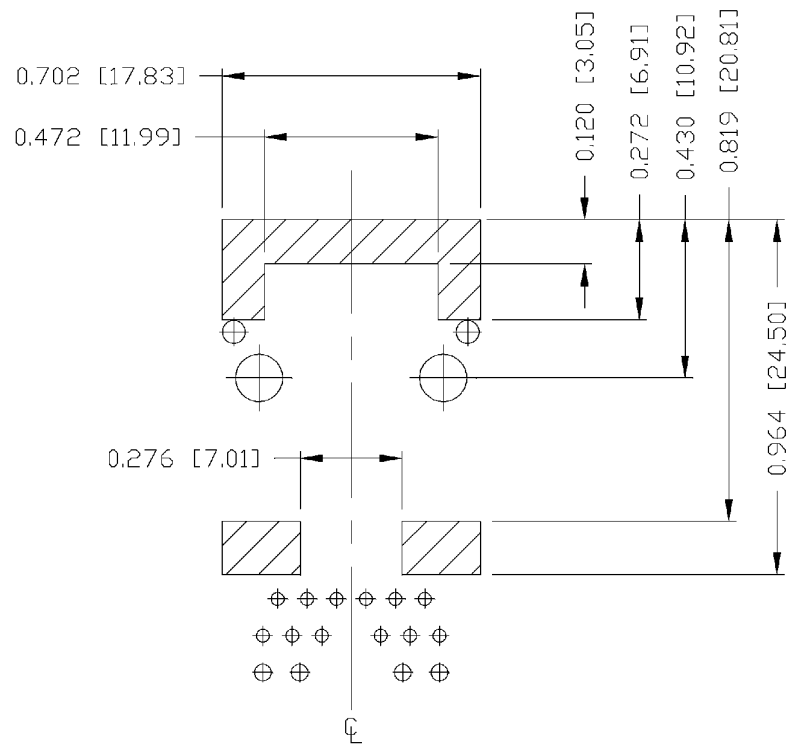
PART NO. / DRAWING NO.
L8261D1T23-F
FILE NAME
L8261D1T23-F_A.DWG

STANDARD DIM.	[] METRIC DIM. AS REFERENCE
TOL. IN INCH	UNIT : INCH [mm]
.X	SCALE : N/A
.XX	SIZE : A4
.XXX	±0.004

REV. : A
SIZE : A4
PAGE : 4



THE INFORMATION CONTAINED HEREIN IS CONSIDERED "PROPRIETARY" TO BEL FUSE INC. AND SHALL NOT BE COPIED, REPRODUCED OR DISCLOSED WITHOUT THE WRITTEN APPROVAL OF BEL FUSE INC.



NOTES

THE SHADED AREA ON THE CUSTOMER BOARD ARE RECOMMENDED TO BE CLEAR OFF ANY VIA HOLE OR COMPONENT PAD.

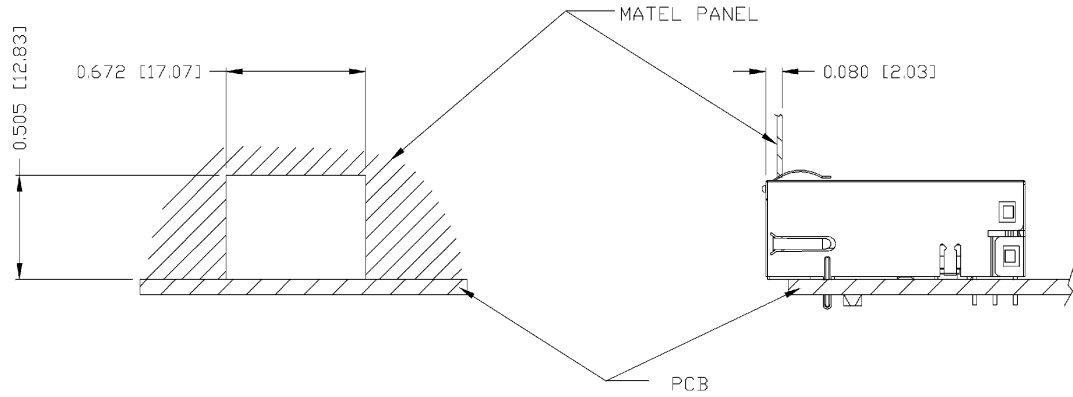
ORIGINATED BY CHEN BILL	DATE 08-08-07	TITLE gigabit MagJack® (Low Profile, 12 cores) L826-1D1T-23-F	PART NO. / DRAWING NO. L8261D1T23-F		STANDARD DIM. TOL. IN INCH		[] METRIC DIM. AS REFERENCE		 COMPONENTS FOR A CONNECTED PLANET
			FILE NAME L8261D1T23-F_A.DWG		.X		UNIT : INCH [mm]	REV. : A	
DRAWN BY LIU QIN	DATE 08-08-07				.XX		SCALE : N/A	SIZE : A4	
					.XXX	±0.004		PAGE : 5	

THE INFORMATION CONTAINED HEREIN IS CONSIDERED "PROPRIETARY" TO BEL FUSE INC. AND SHALL NOT BE COPIED, REPRODUCED OR DISCLOSED WITHOUT THE WRITTEN APPROVAL OF BEL FUSE INC.

RoHS
2002/95/EC



SUGGESTED PANEL OPENING



NOTE:

THE DISTANCE OF PANEL INSIDE SURFACE RELATIVE TO FRONT SURFACE OF PART IS ONLY A SUGGESTION. IN CASE THIS DISTANCE IS DIFFERENT, THE REQUIRED PANEL OPENING DIMENSIONS CHANGE ACCORDINGLY.

PACKING INFORMATION

PACKING TRAY: 0200-9999-D6 (TOP)

0200-9999-D7 (BOTTOM)

PACKING QUANTITY: 40 PCS FINISHED GOODS PER TRAY

11 TRAYS (440 PCS FINISHED GOODS) PER CARTON BOX

NOTE: CARDBOARDS ARE PLACED BETWEEN LAYERS OF PACKING TRAY INSIDE CARTON BOX

(INCLUDE THE UPPERMOST AND LOWERMOST TRAY)

ORIGINATED BY	DATE	TITLE	PART NO. / DRAWING NO.	STANDARD DIM. TOL. IN INCH	[] METRIC DIM. AS REFERENCE
CHEN BILL	08-08-07	gigabit MagJack® (Low Profile, 12 cores)	L8261D1T23-F	.X	UNIT : INCH [mm] REV. : A
DRAWN BY	DATE		FILE NAME	.XX	SCALE : N/A SIZE : A4
LIU QIN	08-08-07	L826-1D1T-23-F	L8261D1T23-F_A.DWG	.XXX ±0.004	PAGE : 6

