

THE INFORMATION CONTAINED HEREIN IS CONSIDERED "PROPRIETARY" TO BEL FUSE INC. AND SHALL NOT BE COPIED, REPRODUCED OR DISCLOSED WITHOUT THE WRITTEN APPROVAL OF BEL FUSE INC.

RoHS
2002/95/EC



ELECTRICAL CHARACTERISTICS @ 25°C

URNS RATIO

TX 1CT : 1
 RX 1CT : 1
 OCL @ 100kHz/100mVRMS
 8mA DC BIAS 350µH MIN.

INS. LOSS

1MHz TO 100MHz -1.0 dB MAX
 RET. LOSS (MIN)
 1MHz-30MHz -18 dB
 30MHz-60MHz -18+20LOG(F/30MHz) dB
 60MHz-80MHz -12 dB

CROSS TALK (TX - RX)

500kHz-1MHz -70 dB MIN
 10 MHz -50 dB MIN
 30 MHz -45 dB MIN
 50 MHz -40 dB MIN
 100 MHz -35 dB MIN

CM TO CM REJ

100kHz-1MHz -70 dB MIN
 10 MHz -47 dB MIN
 30 MHz -42 dB MIN
 60 MHz -37 dB MIN
 100 MHz -30 dB MIN

CM TO DM REJ

100kHz-1MHz -70 dB MIN
 10 MHz -60 dB MIN
 30 MHz -50 dB MIN
 60 MHz -45 dB MIN
 100 MHz -40 dB MIN

HIPOT (Isolation Voltage): 1500 Vrms

100% OF PRODUCTION TESTED TO COMPLY WITH IEEE 802.3 ISOLATION REQUIREMENTS.

LED 1

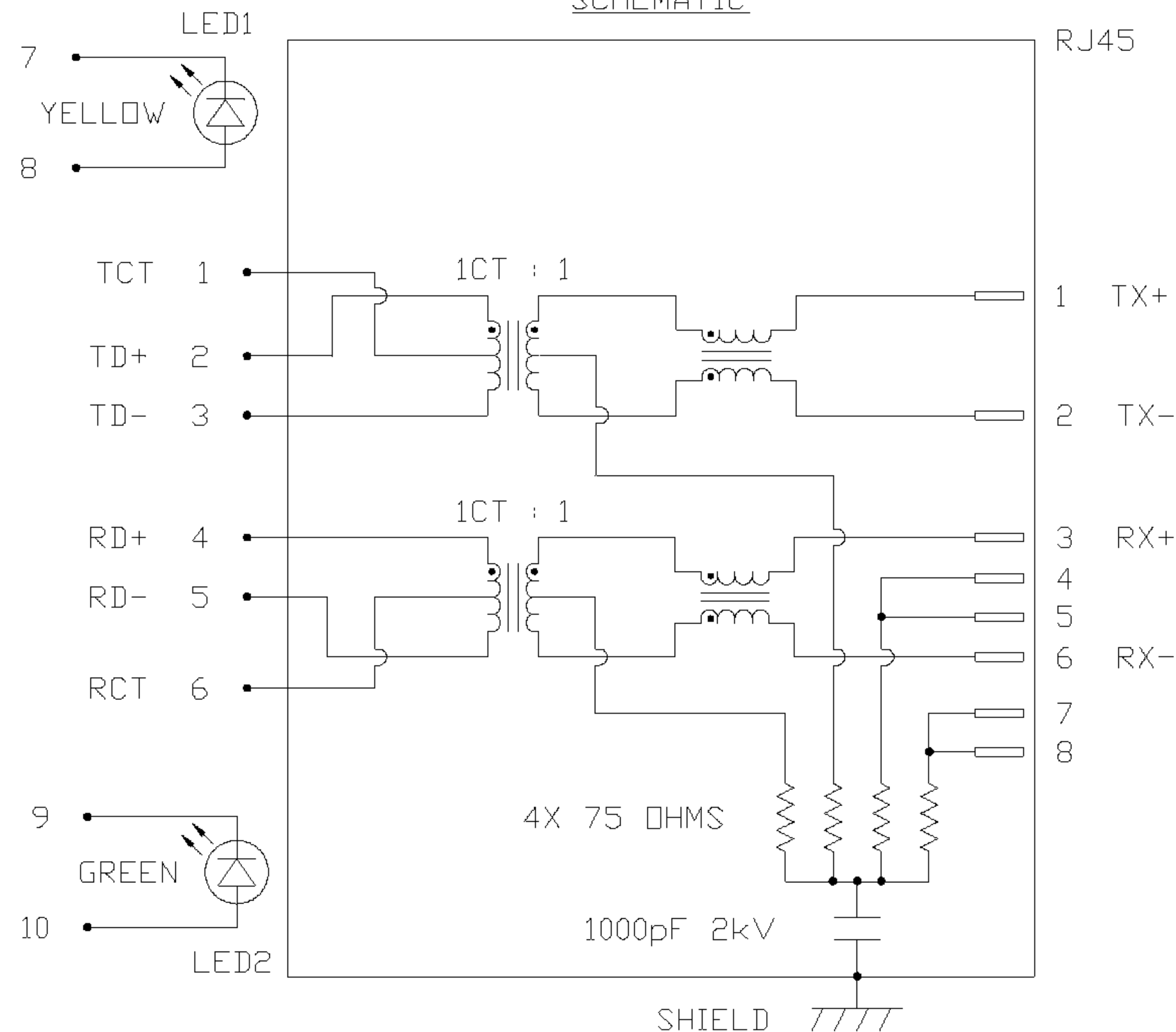
V_F (FORWARD VOLTAGE) IF=20mA YELLOW 2.1V TYP.
 λ_D (DOMINANT WAVELENGTH) IF=20mA YELLOW 590nm TYP.

LED 2

V_F (FORWARD VOLTAGE) IF=20mA GREEN 2.2V TYP.
 λ_D (DOMINANT WAVELENGTH) IF=20mA GREEN 565nm TYP.

LED1 POLARITY			LED2 POLARITY		
PIN 7	PIN 8	COLOR	PIN 9	PIN 10	COLOR
-	+	YELLOW	-	+	GREEN

SCHEMATIC

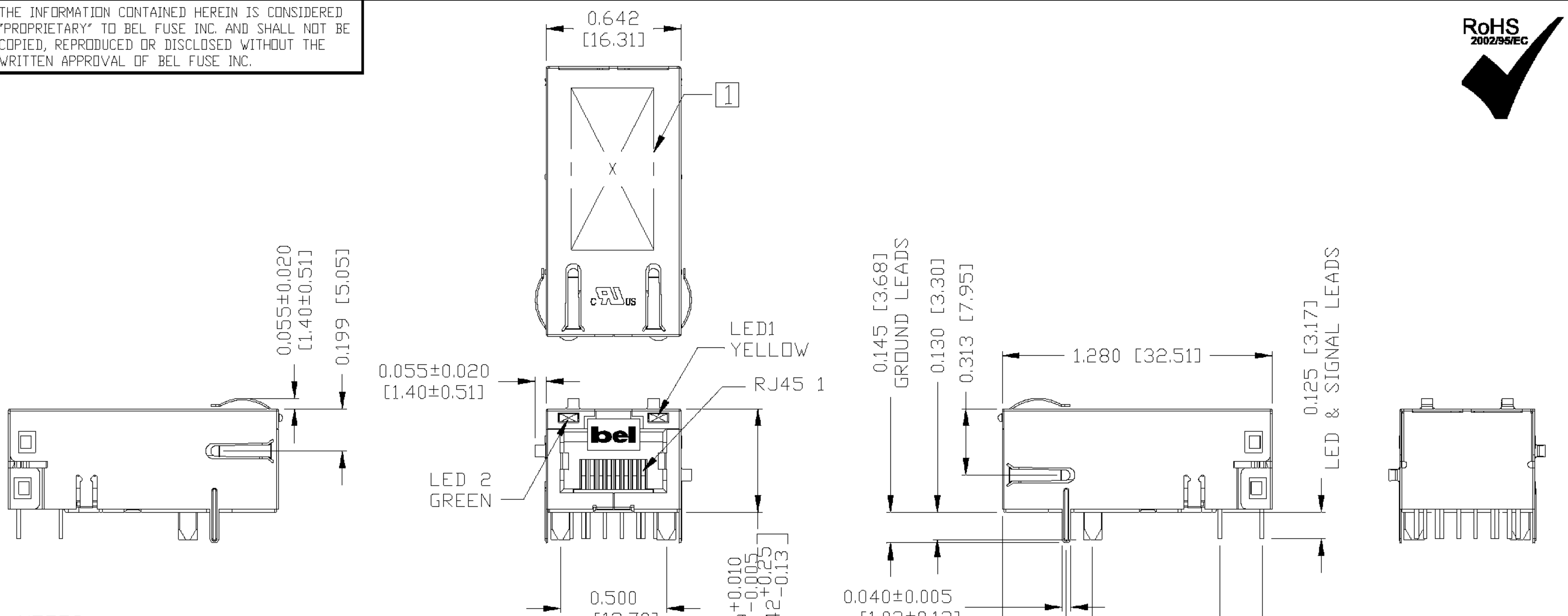


ORIGINATED BY	DATE	TITLE	PART NO. / DRAWING NO.	STANDARD DIM.	[] METRIC DIM. AS REFERENCE
CHUNG	03-15-07	MagJack® (LOW PROFILE) L826-1A1T-06-F	L8261A1T06-F	TOL. IN INCH	UNIT : INCH [mm] REV. : A
DRAWN BY	DATE		FILE NAME	.X	SCALE : N/A SIZE : A4
DE	03-15-07		L8261A1T06-FA.DWG	.XX	⊕
				.XXX	PAGE : 2





THE INFORMATION CONTAINED HEREIN IS CONSIDERED "PROPRIETARY" TO BEL FUSE INC. AND SHALL NOT BE COPIED, REPRODUCED OR DISCLOSED WITHOUT THE WRITTEN APPROVAL OF BEL FUSE INC.



NOTES:
 PLASTIC HOUSING: THERMOPLASTIC PBT
 FLAMMABILITY RATING UL 94V-0
 CONTACTS PLATING: 50 MICRO-INCH HARD GOLD PLATING
 PINS: TIN-COATED COPPER WIRE, DIA 0.018 INCH.
 METAL SHIELD: NICKLE PLATED ON COPPER ALLOY.
 (ALL GROUND LEADS ARE SOLDER DIPPING)

- 1. MARK PART WITH MFG LOGO, MFG NAME, PART NUMBER, AND DATE CODE.
 - 2. RoHS COMPLIANCE, PER EU DIRECTIVE 2002/95/EC.
- c** **RU** **US** UL RECOGNIZED - FILE #E196366 AND E169987.
 JACK CAVITY CONFORMS TO FCC RULES AND REGULATIONS.

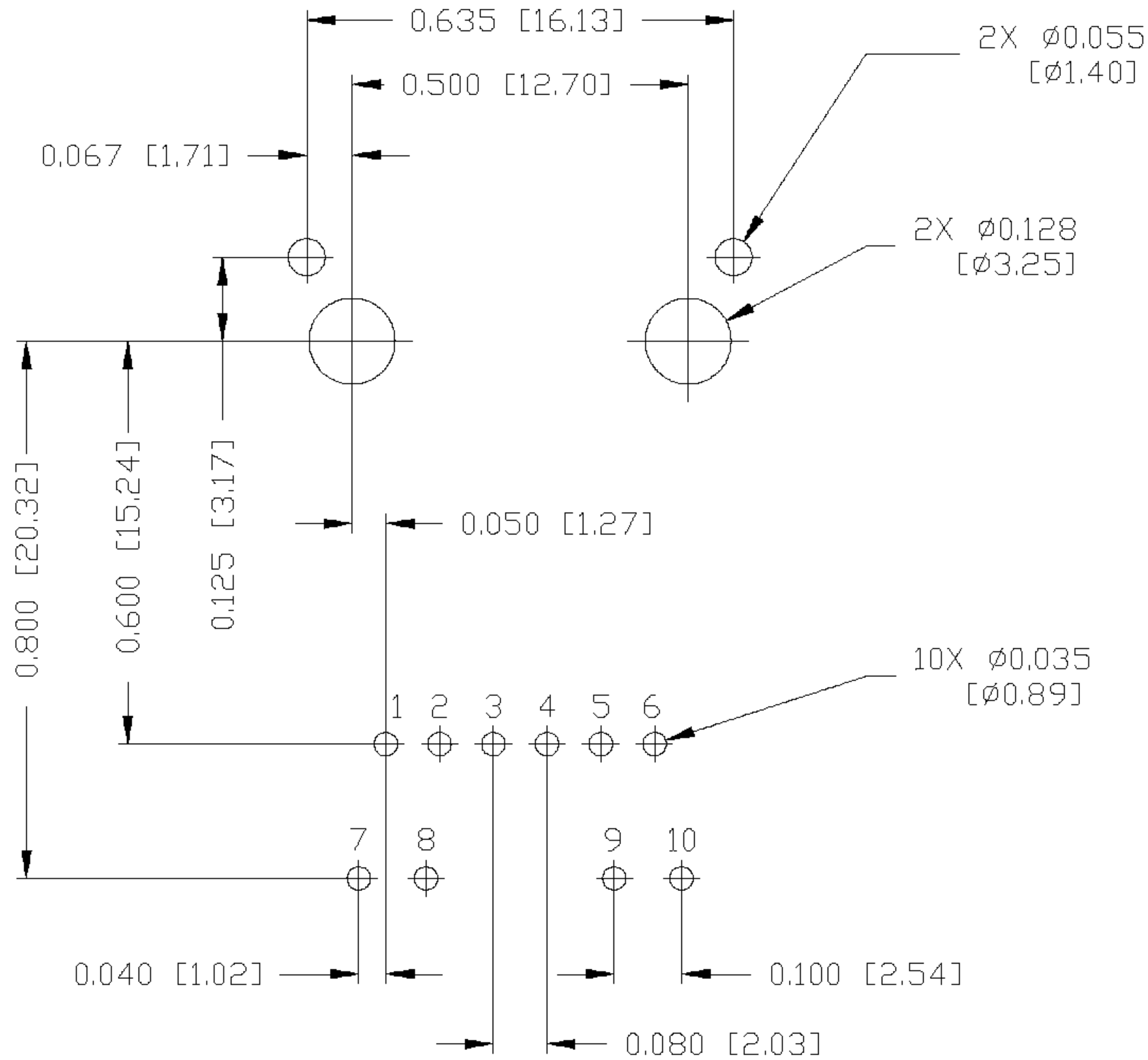
ORIGINATED BY	DATE	TITLE	PART NO. / DRAWING NO.	STANDARD DIM. TOL. IN INCH	[] METRIC DIM. AS REFERENCE
QIN	03-15-07	MagJack® (LOW PROFILE) L826-1A1T-06-F	L8261A1T06-F	.X	UNIT : INCH [mm] REV. : A
DRAWN BY	DATE		FILE NAME	.XX	SCALE : N/A SIZE : A4
TING	03-15-07		L8261A1T06-FA.DWG	.XXX ±0.010	PAGE : 3



THE INFORMATION CONTAINED HEREIN IS CONSIDERED "PROPRIETARY" TO BEL FUSE INC. AND SHALL NOT BE COPIED, REPRODUCED OR DISCLOSED WITHOUT THE WRITTEN APPROVAL OF BEL FUSE INC.



RECOMMENDED PCB FOOTPRINT
(COMPONENT SIDE VIEW)

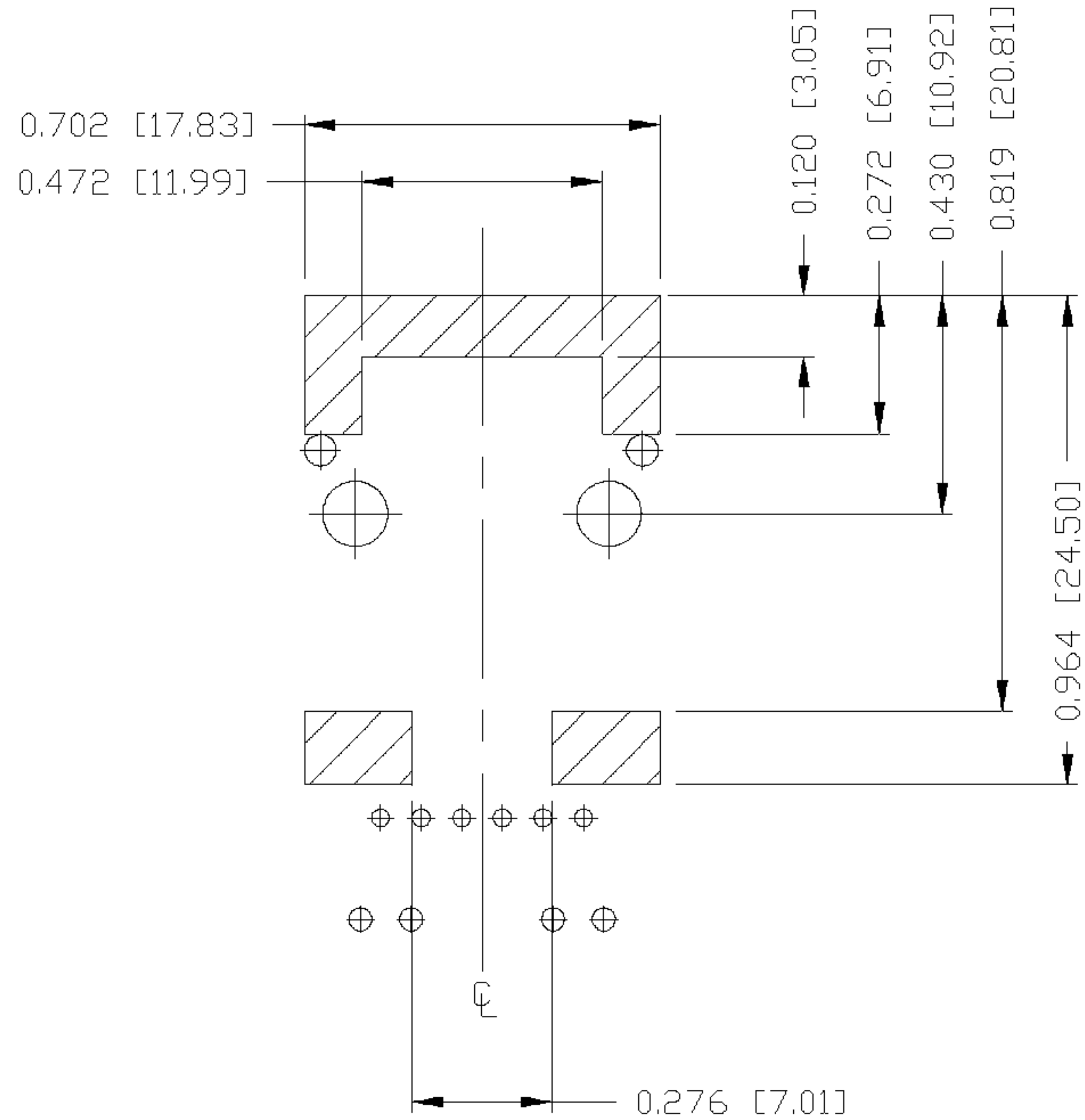


ORIGINATED BY QIN	DATE 03-15-07	TITLE MagJack® (LOW PROFILE) L826-1A1T-06-F	PART NO. / DRAWING NO. L8261A1T06-F	STANDARD DIM. TOL. IN INCH	[] METRIC DIM. AS REFERENCE	
DRAWN BY TING	DATE 03-15-07		FILE NAME L8261A1T06-FA.DWG	.X .XX .XXX	±0.004	UNIT : INCH [mm] SCALE : N/A



THE INFORMATION CONTAINED HEREIN IS CONSIDERED "PROPRIETARY" TO BEL FUSE INC. AND SHALL NOT BE COPIED, REPRODUCED OR DISCLOSED WITHOUT THE WRITTEN APPROVAL OF BEL FUSE INC.

RoHS
2002/95/EC



NOTES

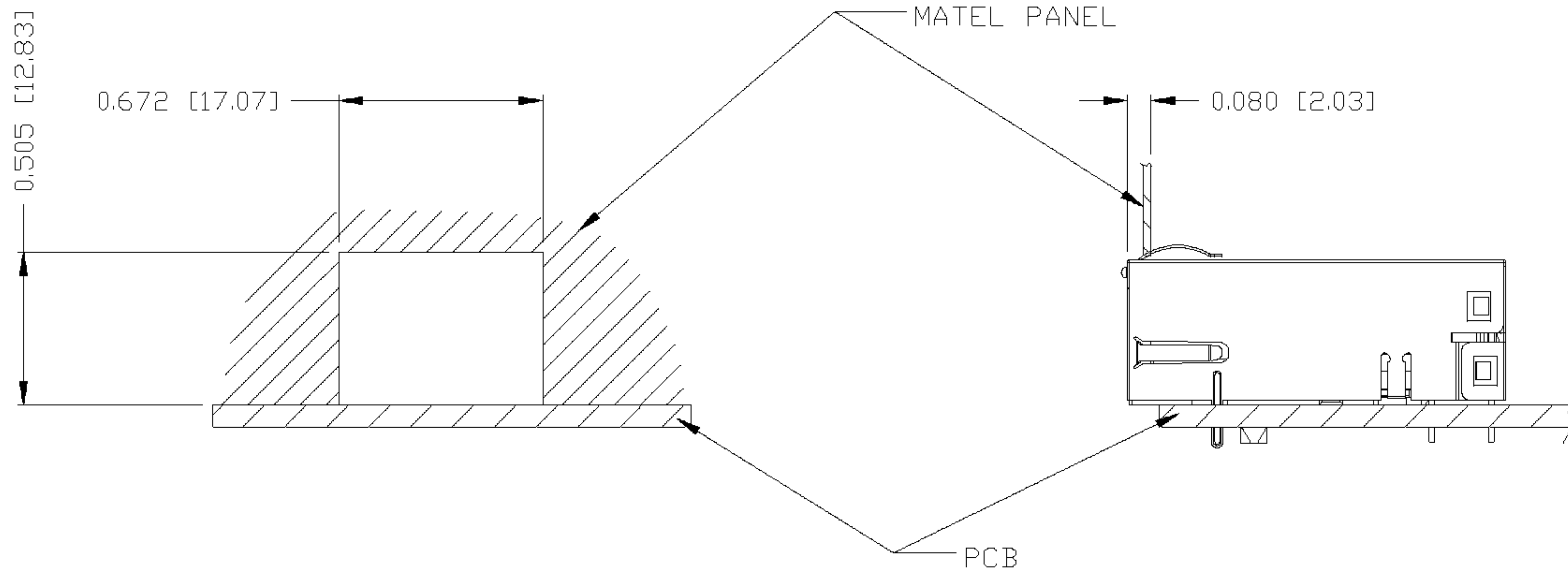
THE SHADED AREA ON THE CUSTOMER BOARD ARE RECOMMENDED TO BE CLEAR OFF ANY VIA HOLE OR COMPONENT PAD.

ORIGINATED BY QIN	DATE 03-15-07	TITLE MagJack® (LOW PROFILE) L826-1A1T-06-F	PART NO. / DRAWING NO. L8261A1T06-F	STANDARD DIM. TOL. IN INCH	[] METRIC DIM. AS REFERENCE	 COMPONENTS FOR A CONNECTED PLANET
DRAWN BY TING	DATE 03-15-07		FILE NAME L8261A1T06-FA.DWG	.X	UNIT : INCH [mm]	
			.XX	SCALE : N/A	SIZE : A4	
			.XXX	±0.004	PAGE : 5	

THE INFORMATION CONTAINED HEREIN IS CONSIDERED "PROPRIETARY" TO BEL FUSE INC. AND SHALL NOT BE COPIED, REPRODUCED OR DISCLOSED WITHOUT THE WRITTEN APPROVAL OF BEL FUSE INC.



SUGGESTED PANEL OPENING



NOTE:

THE DISTANCE OF PANEL INSIDE SURFACE RELATIVE TO FRONT SURFACE OF PART IS ONLY A SUGGESTION. IN CASE THIS DISTANCE IS DIFFERENT, THE REQUIRED PANEL OPENING DIMENSIONS CHANGE ACCORDINGLY.

PACKING INFORMATION

PACKING TRAY: 0200-9999-D6 (TOP)

0200-9999-D7 (BOTTOM)

PACKING QUANTITY: 40 PCS FINISHED GOODS PER TRAY

11 TRAY (440 PCS FINISHED GOODS) PER CARTON BOX

NOTE: CARDBOARDS ARE PLACED BETWEEN LAYERS OF PACKING TRAY INSIDE CARTON BOX

(INCLUDE THE UPPERMOST AND LOWERMOST TRAY)

ORIGINATED BY	DATE	TITLE	PART NO. / DRAWING NO.	STANDARD DIM.	[] METRIC DIM. AS REFERENCE	
QIN	03-15-07	MagJack® (LOW PROFILE) L826-1A1T-06-F	L8261A1T06-F	TOL. IN INCH	UNIT : INCH [mm]	REV. : A
DRAWN BY	DATE		FILE NAME	.X	SCALE : N/A	SIZE : A4
TING	03-15-07		L8261A1T06-FA.DWG	.XX		PAGE : 6
				.XXX		±0.004

