

THE INFORMATION CONTAINED HEREIN IS CONSIDERED "PROPRIETARY" TO BEL FUSE INC. AND SHALL NOT BE COPIED, REPRODUCED OR DISCLOSED WITHOUT THE WRITTEN APPROVAL OF BEL FUSE INC.



LED 1 POLARITY			LED 2 POLARITY		
PIN 13	PIN 14	COLOR	PIN 15	PIN 16	COLOR
-	+	GREEN	-	+	GREEN
+	-	YELLOW			

ELECTRICAL CHARACTERISTICS @ 25°C

URNS RATIO

TP1	1CT : 1CT ±2%
TP2	1CT : 1CT ±2%
TP3	1CT : 1CT ±2%
TP4	1CT : 1CT ±2%

□CL @ 100kHz/100mVRMS

8mA DC BIAS 350µH MIN.

INS. LOSS

0.1MHz TO 1MHz	-1.1 dB MAX
1MHz TO 65MHz	-0.5 dB MAX
65MHz TO 100MHz	-0.8 dB MAX
100MHz TO 125MHz	-1.2 dB MAX

RET. LOSS (MIN)

0.5MHz-40MHz	-18 dB
40MHz-100MHz	12+20LOG(F/80MHz) dB

CM TO CM REJ

100kHz - 100MHz -30 dB MIN

CM TO DM REJ

100kHz - 100MHz -35 dB MIN

HIPOT (Isolation Voltage):

1500 Vrms

100% OF PRODUCT TESTED IN PRODUCTION TO COMPLY WITH IEEE 802.3 REQUIREMENTS

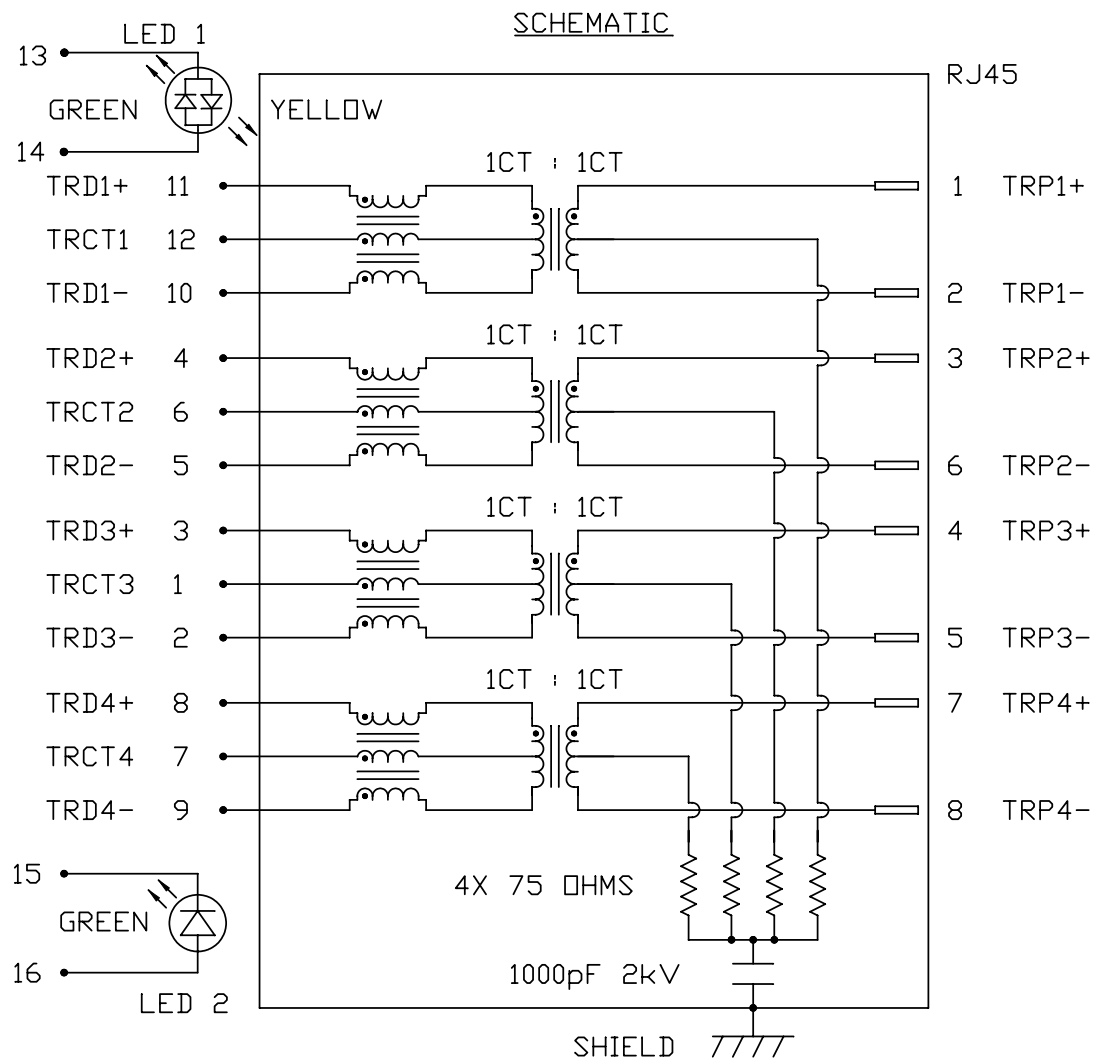
LED 1 (SUPER BRIGHT)

VF (FORWARD VOLTAGE) IF=20mA GREEN 2.2V TYP.  
YELLOW 2.1V TYP.

λD (DOMINANT WAVELENGTH) IF=20mA GREEN 565nm TYP.  
YELLOW 590nm TYP.

LED 2 (SUPER BRIGHT)

VF (FORWARD VOLTAGE) IF=20mA GREEN 2.2V TYP.  
λD (DOMINANT WAVELENGTH) IF=20mA GREEN 565nm TYP.

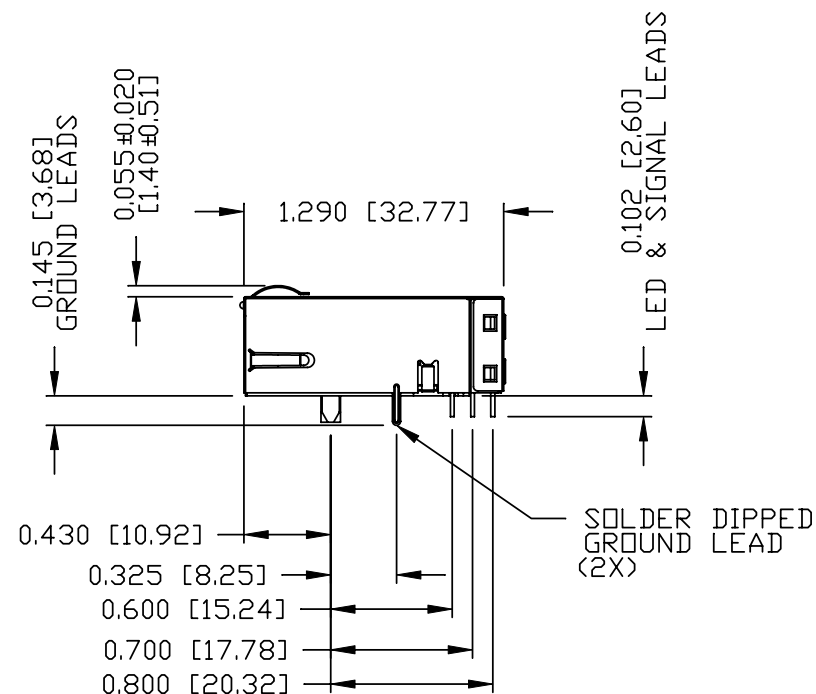
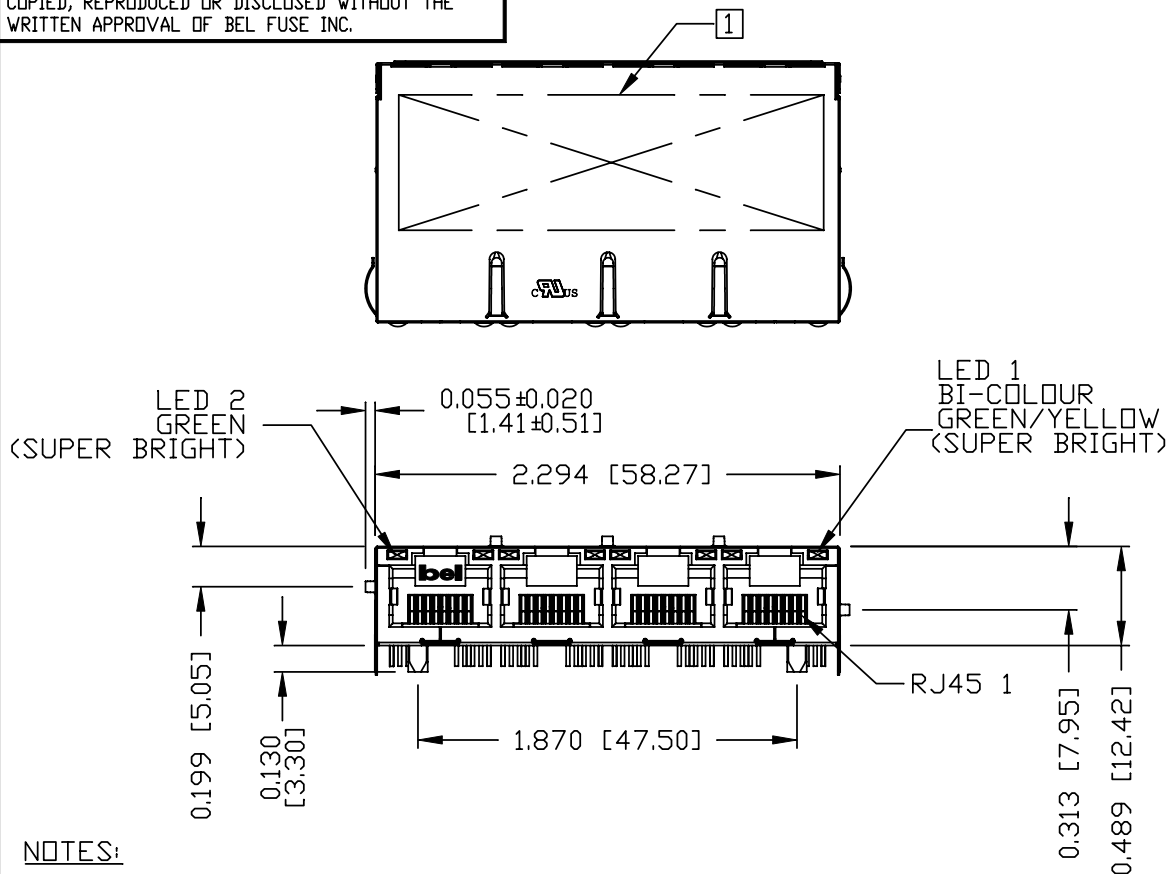


ORIGINATED BY	DATE	TITLE	PART NO. / DRAWING NO.	STANDARD DIM. TOL. IN INCH	[ ] METRIC DIM. AS REFERENCE
CHOW WANCHUNG	05-28-10	gigabit MagJack® (8 cores, Tab Up) L826-164T-43-F	L826164T43-F	.X	UNIT : INCH [mm] REV. : C
DRAWN BY	DATE		FILE NAME	.XX	SCALE : N/A SIZE : A4
LEE WEIDE	05-28-10		L826164T43-F_C.DWG	.XXX	PAGE : 2



THE INFORMATION CONTAINED HEREIN IS CONSIDERED "PROPRIETARY" TO BEL FUSE INC. AND SHALL NOT BE COPIED, REPRODUCED OR DISCLOSED WITHOUT THE WRITTEN APPROVAL OF BEL FUSE INC.

RoHS  
2002/95/EC



**NOTES:**

- PLASTIC HOUSING: THERMOPLASTIC PBT  
FLAMMABILITY RATING UL 94V-0
- CONTACTS PLATING: 50 MICRO-INCH HARD GOLD PLATED
- PINS: TIN-COATED COPPER WIRE, DIA 0.018 INCH.
- METAL SHIELD: NICKEL PLATED ON COPPER ALLOY.  
(ALL GROUND LEADS ARE SOLDER DIPPED)

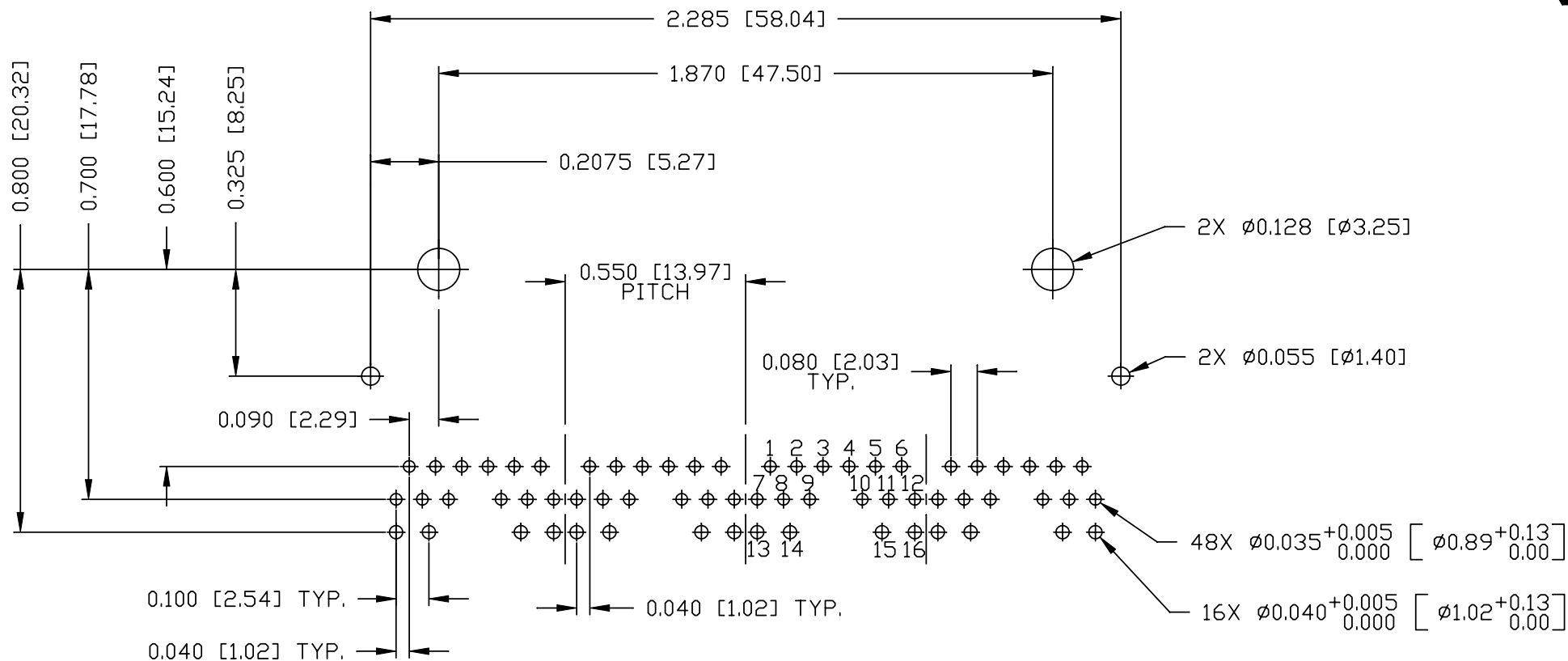
[1] MARK PART WITH MFG LOGO, MFG NAME, PART NUMBER, DATE CODE AND PATENTED.

- 2. RoHS COMPLIANCE, PER EU DIRECTIVE 2002/95/EC.  
c UL RECOGNIZED - FILE #E196366 AND E169987.  
JACK CAVITY CONFORMS TO FCC RULES AND REGULATIONS.
- 3. THE PRODUCT IS PATENT PRODUCT. THE PATENT NUMBER ARE U.S. PAT. 5,736,910 AND U.S. PAT. 7,123,117.

ORIGINATED BY ANTON LIAO	DATE 05-28-10	TITLE gigabit MagJack® (8 cores, Tab Up) L826-164T-43-F	PART NO. / DRAWING NO. L826164T43-F	STANDARD DIM. TOL. IN INCH		[ ] METRIC DIM. AS REFERENCE	
				.X		UNIT : INCH [mm]	REV. : C
DRAWN BY SHAWN FENG	DATE 05-28-10		FILE NAME L826164T43-F_C.DWG	.XX		SCALE : N/A	SIZE : A4
				.XXX	±0.010		PAGE : 3

THE INFORMATION CONTAINED HEREIN IS CONSIDERED  
 "PROPRIETARY" TO BEL FUSE INC. AND SHALL NOT BE  
 COPIED, REPRODUCED OR DISCLOSED WITHOUT THE  
 WRITTEN APPROVAL OF BEL FUSE INC.

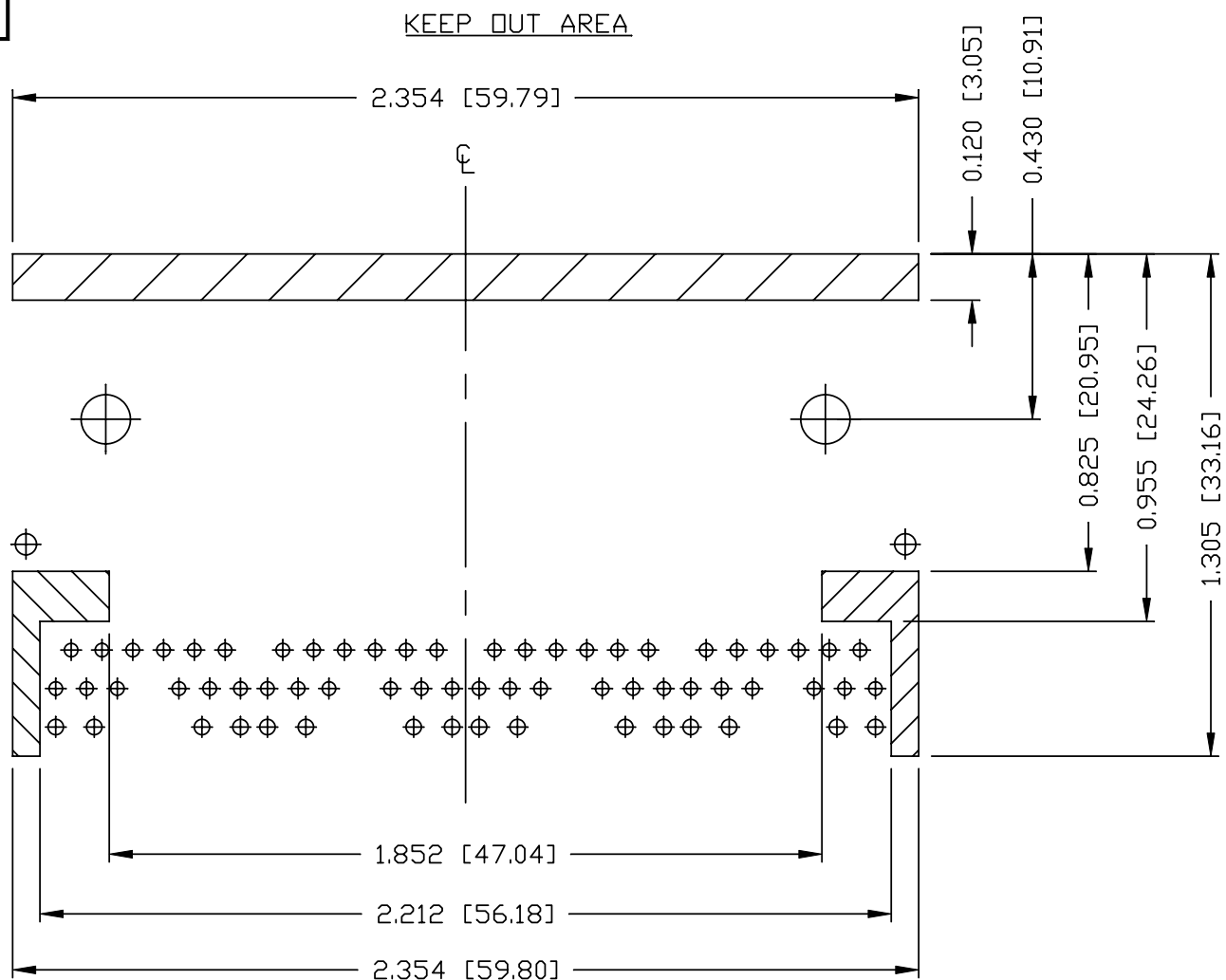
RoHS  
 2002/95/EC



RECOMMENDED PCB FOOTPRINT  
 (COMPONENT SIDE VIEW)

ORIGINATED BY ANTON LIAO	DATE 05-28-10	TITLE gigabit MagJack® (8 cores, Tab Up) L826-164T-43-F	PART NO. / DRAWING NO. L826164T43-F		STANDARD DIM. TOL. IN INCH		[ ] METRIC DIM. AS REFERENCE		 COMPONENTS FOR A CONNECTED PLANET
	DRAWN BY SHAWN FENG		DATE 05-28-10	FILE NAME L826164T43-F_C.DWG	.X .XX .XXX	$\pm 0.004$	UNIT : INCH [mm] SCALE : N/A	REV. : C SIZE : A4 PAGE : 4	

THE INFORMATION CONTAINED HEREIN IS CONSIDERED "PROPRIETARY" TO BEL FUSE INC. AND SHALL NOT BE COPIED, REPRODUCED OR DISCLOSED WITHOUT THE WRITTEN APPROVAL OF BEL FUSE INC.



**NOTES**

THE SHADED AREA ON THE CUSTOMER BOARD ARE RECOMMENDED TO BE CLEAR OFF ANY VIA HOLE OR COMPONENT PAD.

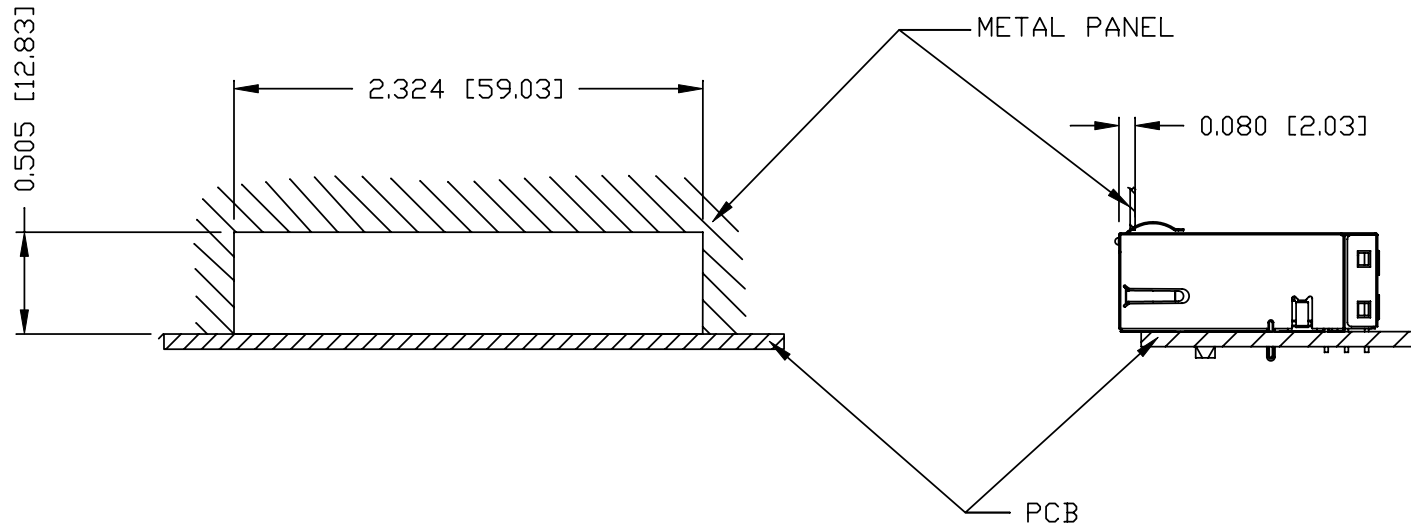
<b>ORIGINATED BY</b> ANTON LIAO	<b>DATE</b> 05-28-10	<b>TITLE</b> gigabit MagJack® (8 cores, Tab Up) L826-164T-43-F	<b>PART NO. / DRAWING NO.</b> L826164T43-F	<b>STANDARD DIM. TOL. IN INCH</b>	<b>[ ] METRIC DIM. AS REFERENCE</b>	
<b>DRAWN BY</b> SHAWN FENG	<b>DATE</b> 05-28-10		<b>FILE NAME</b> L826164T43-F_C.DWG	.X .XX .XXX	±0.004	UNIT : INCH [mm] SCALE : N/A



THE INFORMATION CONTAINED HEREIN IS CONSIDERED "PROPRIETARY" TO BEL FUSE INC. AND SHALL NOT BE COPIED, REPRODUCED OR DISCLOSED WITHOUT THE WRITTEN APPROVAL OF BEL FUSE INC.



SUGGESTED PANEL OPENING



NOTE:

THE DISTANCE OF PANEL INSIDE SURFACE RELATIVE TO FRONT SURFACE OF PART IS ONLY A SUGGESTION. IN CASE THIS DISTANCE IS DIFFERENT, THE REQUIRED PANEL OPENING DIMENSIONS CHANGE ACCORDINGLY.

PACKING INFORMATION

PACKING TRAY: 0200-9999-D3 (TOP)

0200-9999-B5 (BOTTOM)

PACKING QUANTITY: 24 PCS FINISHED GOODS PER TRAY

10 TRAYS (240PCS FINISHED GOODS) PER CARTON BOX

REMARK : CARDBOARDS ARE PLACED BETWEEN LAYERS OF PACKING TRAY INSIDE CARTON BOX.

(INCLUDE THE UPPERMOST AND LOWERMOST TRAY)

ORIGINATED BY	DATE	TITLE	PART NO. / DRAWING NO.	STANDARD DIM. TOL. IN INCH	[ ] METRIC DIM. AS REFERENCE
ANTON LIAO	05-28-10	gigabit MagJack® (8 cores, Tab Up) L826-164T-43-F	L826164T43-F	.X	UNIT : INCH [mm] REV. : C
DRAWN BY	DATE		FILE NAME	.XX	SCALE : N/A SIZE : A4
SHAWN FENG	05-28-10		L826164T43-F_C.DWG	.XXX ±0.004	PAGE : 6

