

THE INFORMATION CONTAINED HEREIN IS CONSIDERED "PROPRIETARY" TO BEL FUSE INC. AND SHALL NOT BE COPIED, REPRODUCED OR DISCLOSED WITHOUT THE WRITTEN APPROVAL OF BEL FUSE INC.

### ELECTRICAL CHARACTERISTICS @ 25°C

**TURNS RATIO**

TX 1CT : 1  
 RX 1CT : 1

□CL @ 100kHz/100mVRMS  
 8mA DC BIAS

350µH MIN.

**INS. LOSS**

1MHz TO 100MHz -1.0 dB MAX

**RET. LOSS (MIN)**

1MHz-30MHz -18 dB  
 30MHz-60MHz  $-18+20\text{LOG}(F/30\text{MHz})$  dB  
 60MHz-80MHz -12 dB

**CROSS TALK (TX - RX)**

500kHz - 100 MHz -35 dB MIN

**CM TO CM REJ**

100kHz - 100 MHz -30 dB MIN

**CM TO DM REJ**

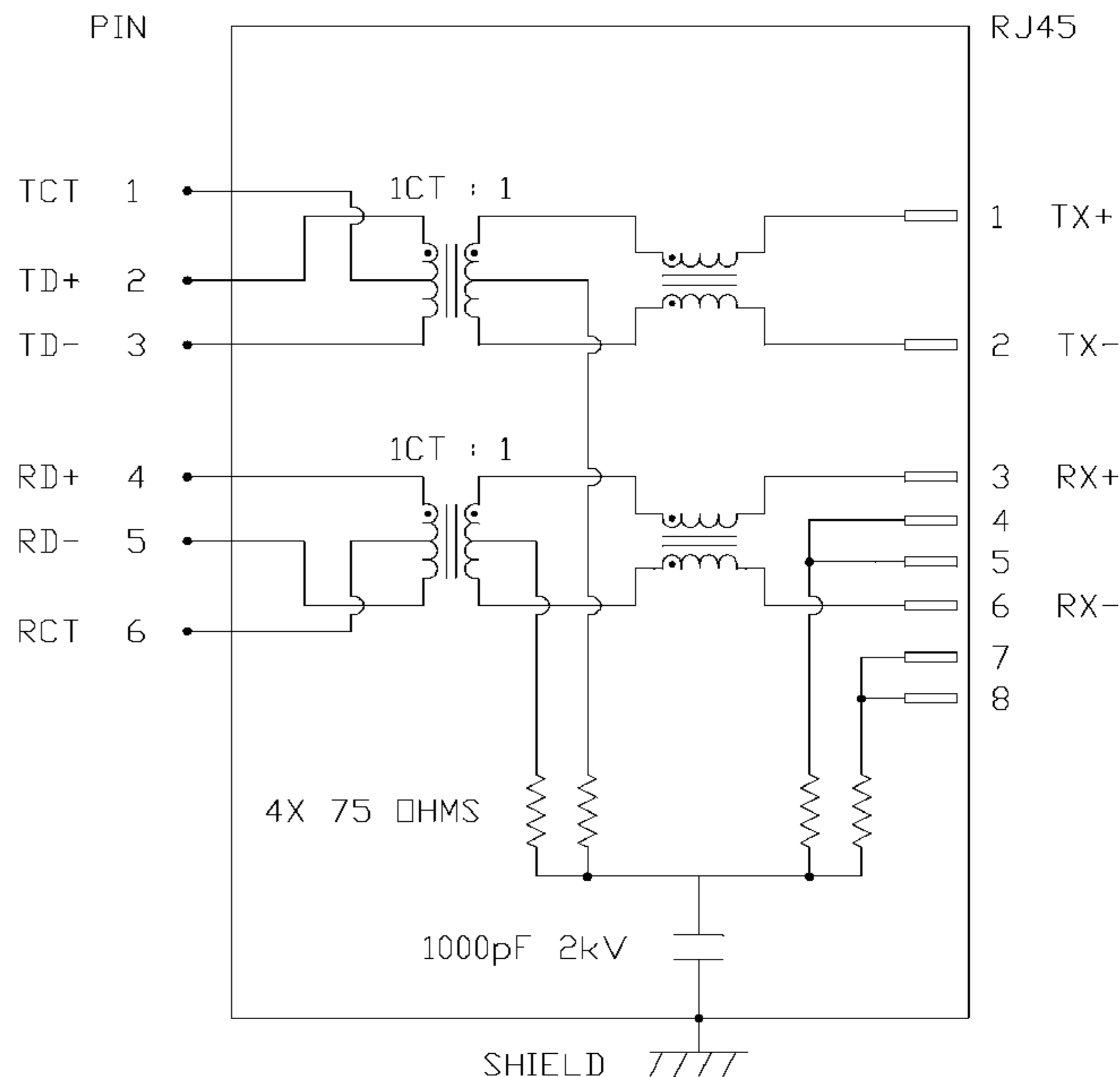
100kHz - 100 MHz -35 dB MIN


**HIPOT (Isolation Voltage):**

1500 Vrms

100% OF PRODUCTION TESTED  
 TO COMPLY WITH IEEE 802.3 ISOLATION REQUIREMENTS

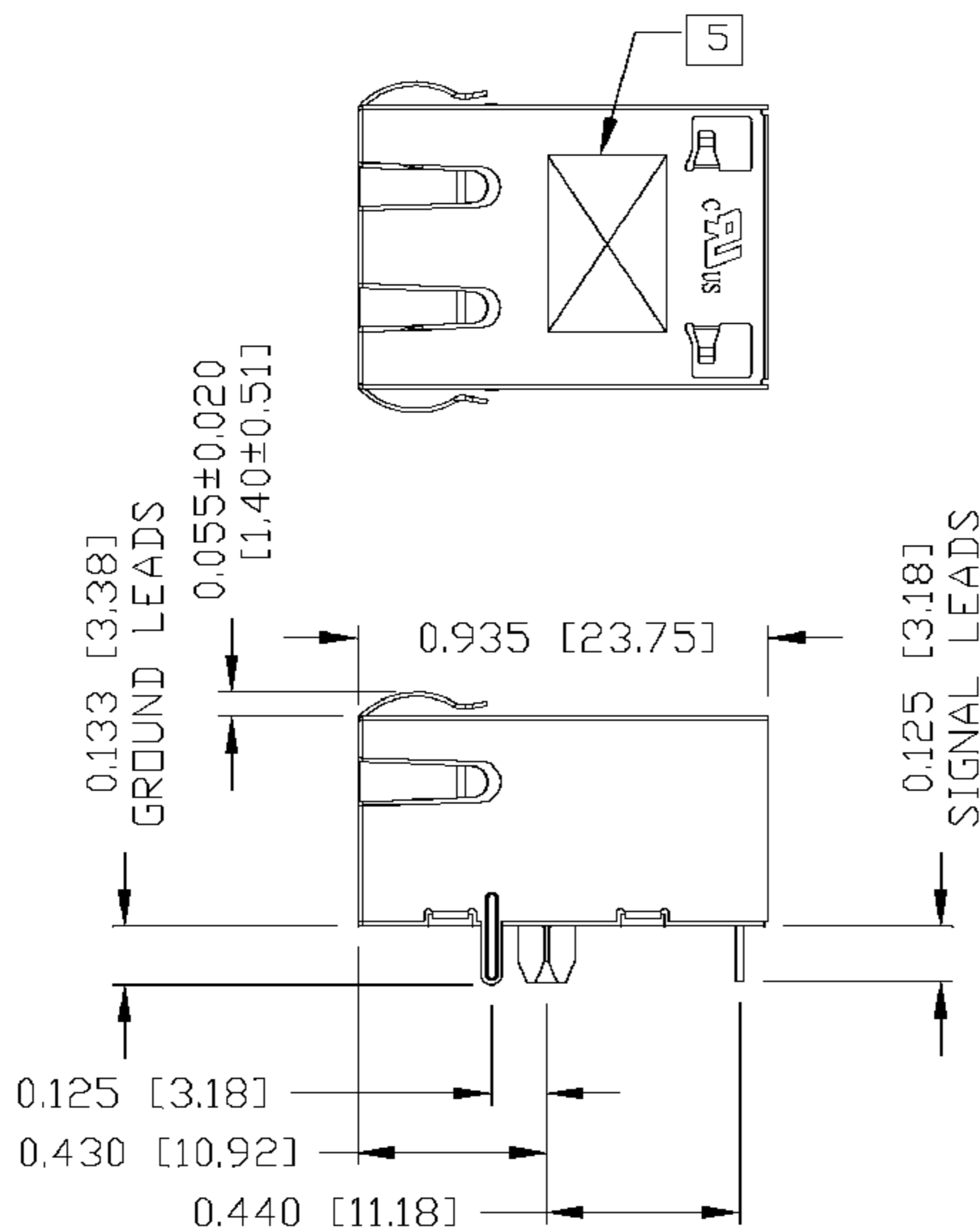
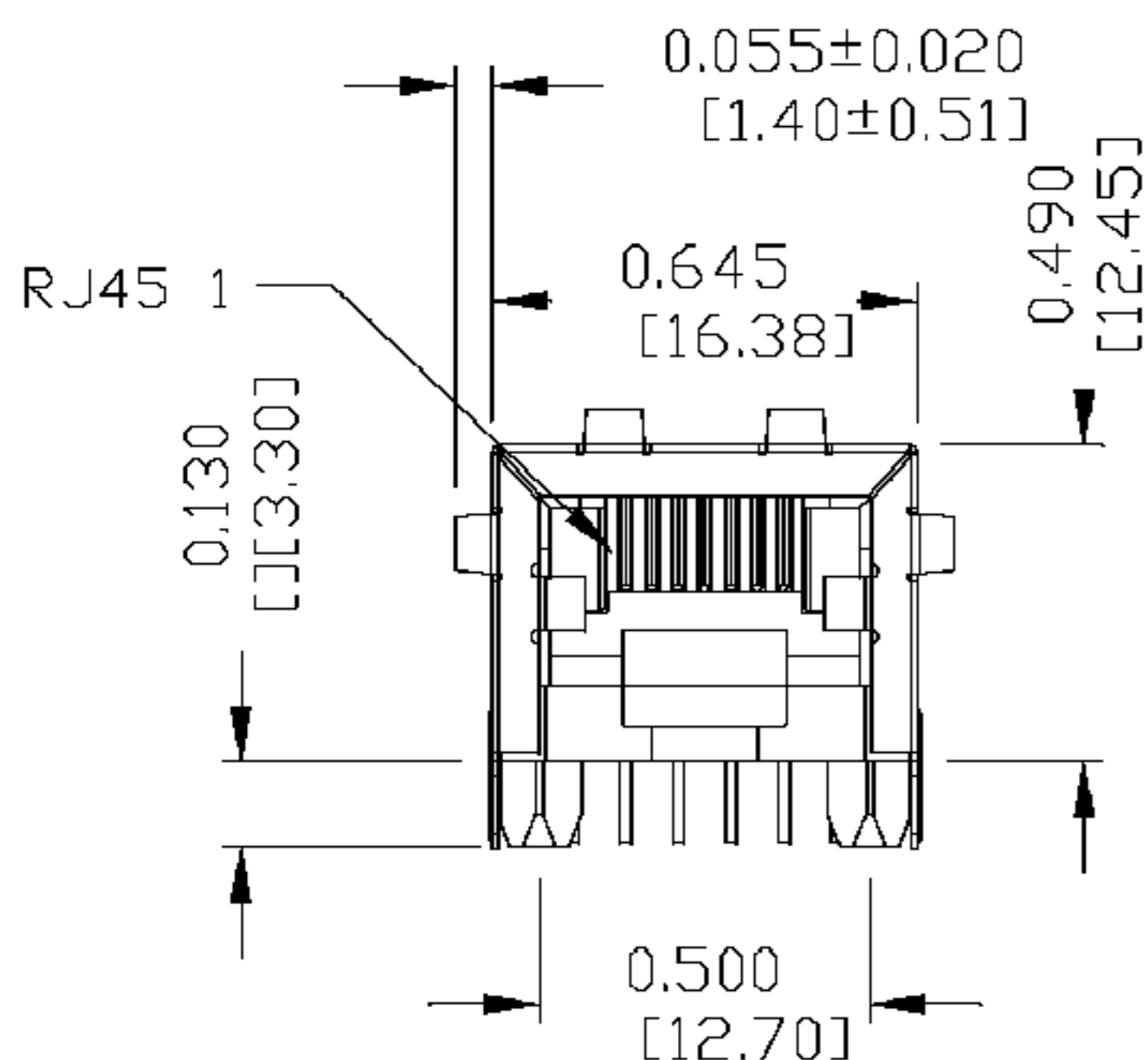
### SCHEMATIC



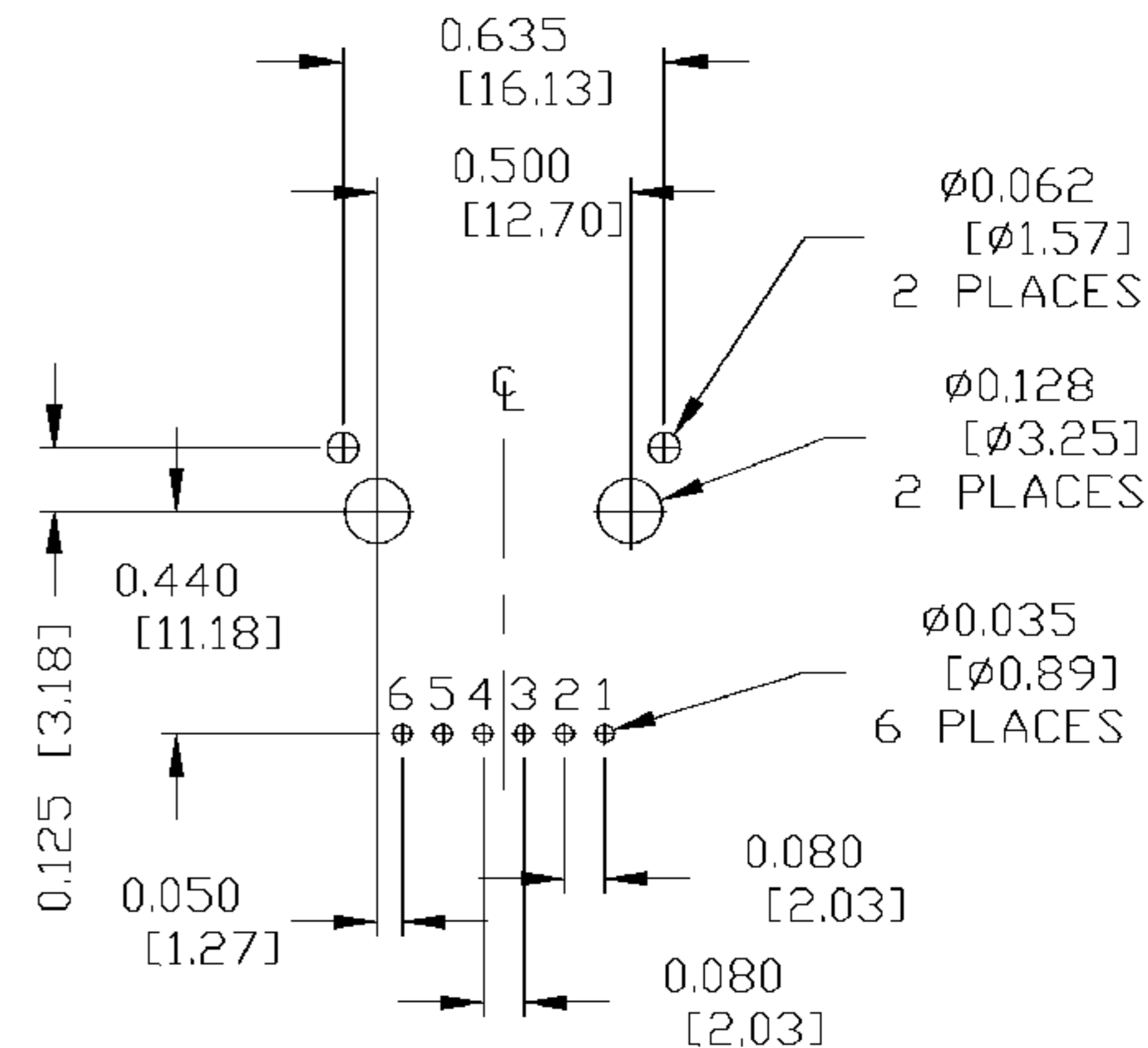
ORIGINATED BY CHOW WC	DATE 10-18-07	TITLE LOW PROFILE MagJack®	PART NO. / DRAWING NO. L811-1X1T-06	STANDARD DIM. TOL. IN INCH	[ ] METRIC DIM. AS REFERENCE	 COMPONENTS FOR A CONNECTED PLANET
DRAWN BY LEE WEIDE	DATE 10-18-07		FILE NAME L811-1X1T-06_A.DWG	.X .XX .XXX	UNIT : INCH [mm] SCALE : N/A	

THE INFORMATION CONTAINED HEREIN IS CONSIDERED "PROPRIETARY" TO BEL FUSE INC. AND SHALL NOT BE COPIED, REPRODUCED OR DISCLOSED WITHOUT THE WRITTEN APPROVAL OF BEL FUSE INC.

MECHANICAL SPECIFICATION



RECOMMENDED PCB FOOTPRINT  
COMPONENT SIDE VIEW



NOTES:

1. PLASTIC HOUSING: THERMOPLASTIC PBT  
FLAMMABILITY RATING UL 94V-0
2. CONTACTS PLATING: 50 MICRO-INCH HARD GOLD PLATING
3. PINS: TIN-COATED COPPER WIRE, DIA 0.018 INCH.
4. METAL SHIELD: NICKEL PLATED ON COPPER ALLOY.  
(ALL GROUND LEADS ARE SOLDER DIPPED)
5. MARK PART WITH MFG LOGO, MFG NAME, PART NUMBER, AND DATE CODE.
6. JACK CAVITY CONFORMS TO FCC RULES AND REGULATIONS.

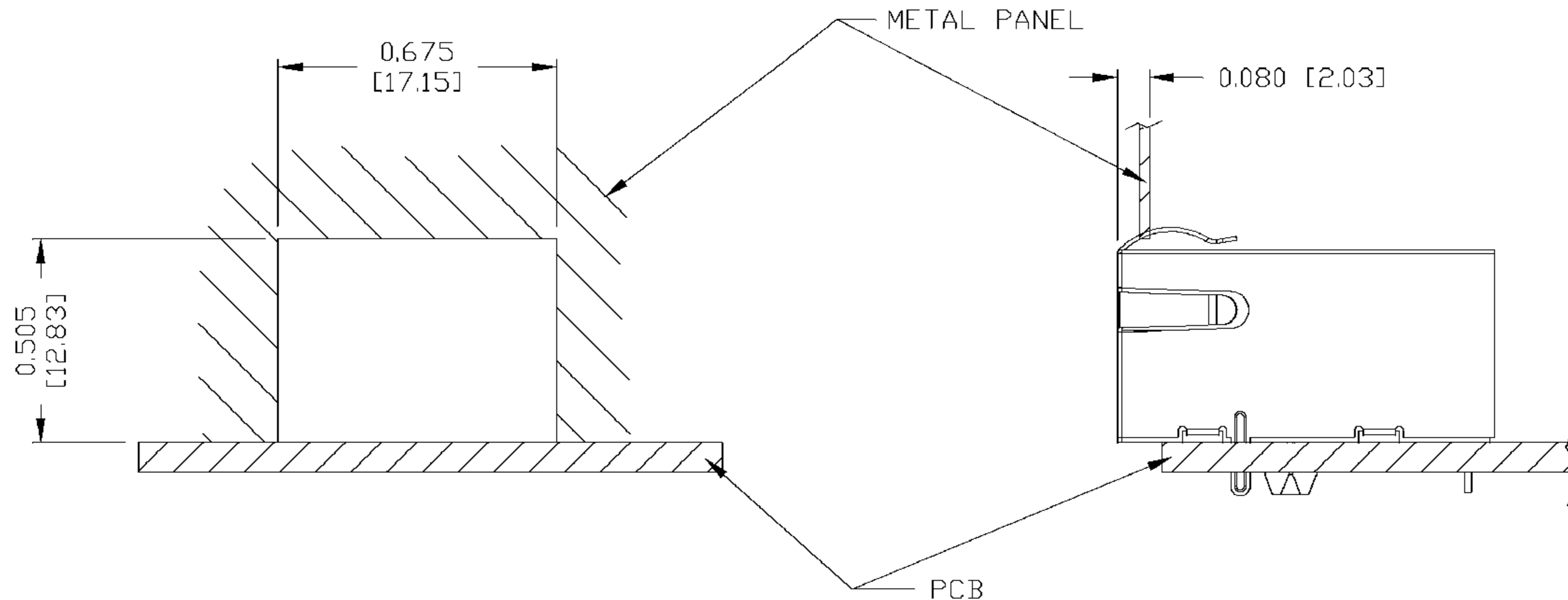
cUL US UL RECOGNIZED - FILE #E196366 AND E169987.

ORIGINATED BY	DATE	TITLE	PART NO. / DRAWING NO.	STANDARD DIM. TOL. IN INCH	[ ] METRIC DIM. AS REFERENCE
CHEN BILL	10-18-07	LOW PROFILE MagJack ®	L811-1X1T-06	.X	UNIT : INCH [mm] REV. : A
DRAWN BY	DATE		FILE NAME	.XX	SCALE : N/A SIZE : A4
LIU QIN	10-18-07		L811-1X1T-06_A.DWG	.XXX ±0,010	SCALE : N/A SIZE : A4
					PAGE : 3



THE INFORMATION CONTAINED HEREIN IS CONSIDERED "PROPRIETARY" TO BEL FUSE INC. AND SHALL NOT BE COPIED, REPRODUCED OR DISCLOSED WITHOUT THE WRITTEN APPROVAL OF BEL FUSE INC.

SUGGESTED PANEL OPENING



NOTE:

THE DISTANCE OF PANEL INSIDE SURFACE RELATIVE TO FRONT SURFACE OF PART IS ONLY A SUGGESTION. IN CASE THIS DISTANCE IS DIFFERENT, THE REQUIRED PANEL OPENING DIMENSIONS CHANGE ACCORDINGLY.

PACKING INFORMATION


PACKING TRAY : 0200-0148-06

PACKING QUANTITY : 70 PCS FINISHED GOODS PER TRAY

12 TRAYS (840 PCS FINISHED GOODS) PER CARTON BOX

NOTE : CARDBOARDS ARE PLACED BETWEEN LAYERS OF PACKING TRAY INSIDE CARTON BOX

(INCLUDE THE UPPERMOST AND LOWERMOST TRAY)

ORIGINATED BY	DATE	TITLE	PART NO. / DRAWING NO.	STANDARD DIM. TOL. IN INCH	[ ] METRIC DIM. AS REFERENCE
CHEN BILL	10-18-07	LOW PROFILE MagJack®	L811-1X1T-06	.X	UNIT : INCH [mm] REV. : A
DRAWN BY	DATE		FILE NAME	.XX	SCALE : N/A SIZE : A4
LIU QIN	10-18-07		L811-1X1T-06_A.DWG	.XXX ±0.004	SCALE : N/A SIZE : A4
					 PAGE : 4