



# MAXIFLEX 8DI8RO Module

Model M1330 8 Way Digital I/O Module (8 x 9-30Vdc Inputs; 8 x Relay Outputs).

DATASHEET



## FEATURES

- Fits in any MAXIFLEX base I/O slot
- 8 Digital Inputs and 8 Relay Contact Outputs
- 9-30Vdc input voltage range
- LED Input/Output Indication
- Inputs electrically isolated from Outputs
- Positive or Negative Common Supply (ie source or sink)
- Removable Terminal Blocks
- Hot Plug-in
- In system automatic module detection

The M1330A 8DI8RO module accept 8 digital inputs powered externally from either a positive or negative common circuit, and provides 8 Relay outputs. The inputs are electrically isolated from the outputs to allow them to be used in separate electrical circuits.

All inputs are opto-isolated from the system logic.

The module may be inserted into any I/O slot in a Maxiflex system.

The status of each input and output is displayed on a 4x4 LED matrix on the front of the module.

The module can be inserted or removed while the system is powered.

## SPECIFICATIONS

### Inputs

Number and Type	8 Digital (On/Off)
Isolation (100% tested)	1500Vac, 50/60Hz for 1 minute Inputs to logic
Insulation Resistance	1000M $\Omega$ min. at 500Vdc
Input Response	15ms typical
Indication	Green LED on = input contact closed
Nominal Input Voltage	24Vdc
Nominal Input Current	5mA at 24Vdc
Guaranteed On Voltage	9 – 30Vdc
Input Current at 24Vdc	3mA
Input Current over voltage range	1.5 – 8mA
Guaranteed Off Voltage	< 4.5Vdc
Guaranteed Off Current	< 0.3mA
Maximum Voltage between inputs and Outputs	250Vac

### Outputs

Number and Type	8 Normally Open Relay Contacts
Dielectric Strength	3000Vac 50/60Hz coil to contacts
Isolation Test	100% tested to 1500Vac, 50/60Hz for 1 minute – all outputs to logic
Insulation Resistance	1000M $\Omega$ min. at 500Vdc
Relay operate time	10 milliseconds typical
Relay release time	10 milliseconds typical
Indication	Red LED on = Relay energised
Maximum switching current	2 Amps per output 5 Amps total per module
Maximum switching capacity	1250VA or 150W for resistive load. 500VA or 60W for inductive load with L/R < 7ms (L=load inductance in henry's and R=load resistance in ohms)

Open Circuit Voltage	250Vac, 125Vdc maximum
Minimum Load	5Vdc 10mA
Contact Resistance	30milliohms maximum
Operating Frequency	1800 operations/hour under full load
Service Life	300 000 operations at 2A resistive 100 000 operations at 2A inductive (see inductive load spec. above)

### Input/Output Termination

Terminal Type	Screw clamp Plug-in Terminal Blocks
Wire Size	2.0mm <sup>2</sup> maximum For manageable wiring to the module, 0.5 mm <sup>2</sup> is recommended

### Environmental

Operating Temperature	-25°C to +60°C (-13°F to +140°F)
Storage Temperature	-40°C to +70°C (-40°F to +158°F)
Humidity	95% max. at 40°C (104°F) non-condensing.
Protection	Electronics Conformally coated

### Logic Power Consumption

From Logic Power Supply	140mA from 5Vdc 150mA from 12Vdc (with relays energised)
-------------------------	---

### Auto Identification Codes

Module ID	3
Scan Code	10

### Mass

Excluding Packaging	270g (9.6oz)
Including Packaging	360g (12.7oz)

### Ordering Information

<b>Description</b>	<b>Order Code</b>
Maxiflex 8DI8RO Module	M1330A

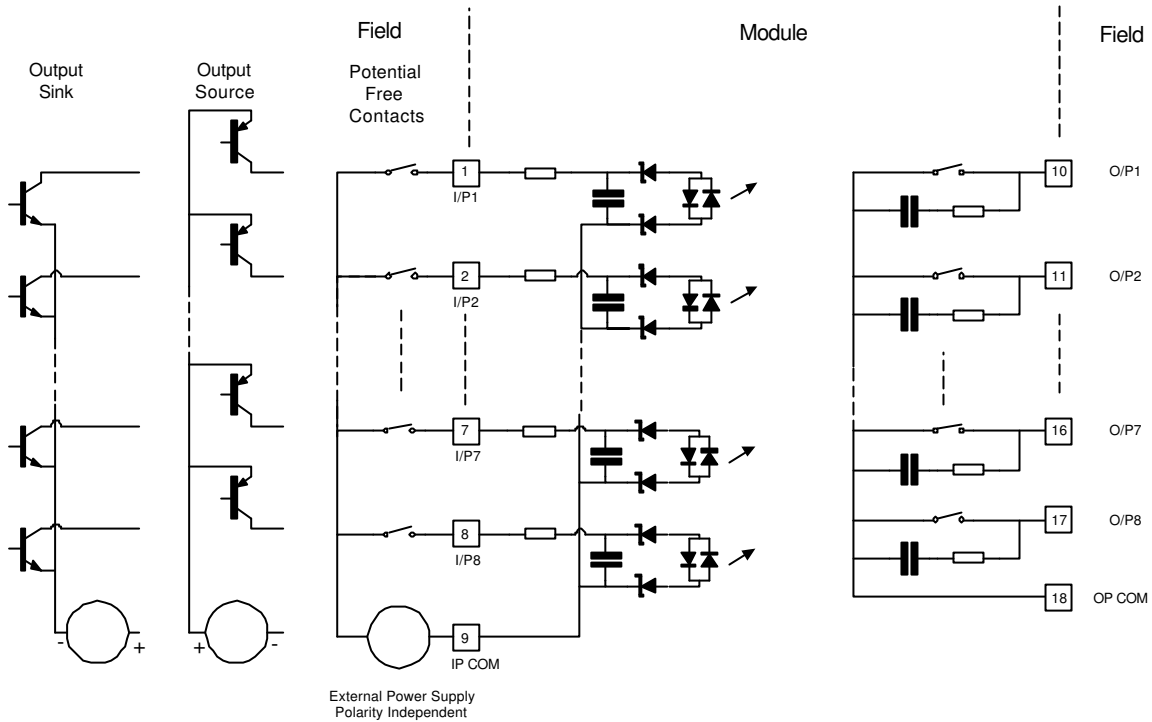




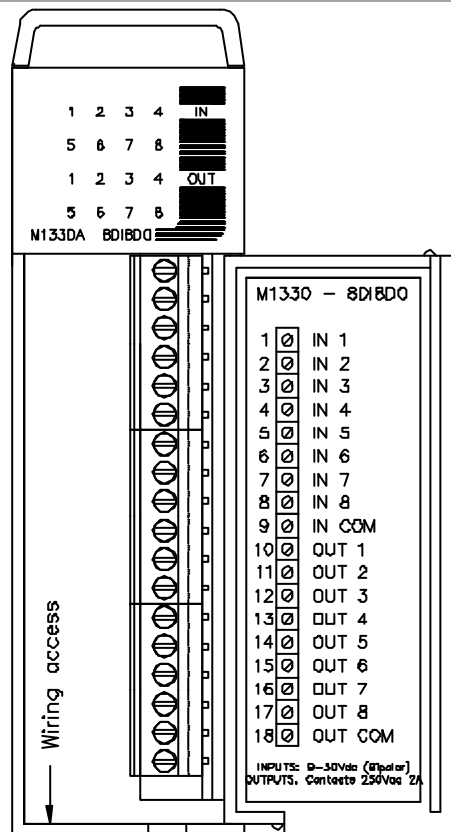
# MAXIFLEX 8DI8RO Module

Model M1330 8 Way Digital I/O Module (8 x 9-30Vdc Inputs; 8 x Relay Outputs).

## ELECTRICAL CONNECTIONS



## MECHANICAL CONFIGURATION



Note: The LED indicators can only be seen when illuminated.

