



# MAXIFLEX 16DI Module

Model M1322 (24Vdc) & M1323 (48Vdc) 16 Channel Digital Input Module.

DATASHEET



## FEATURES

- Fits in any MAXIFLEX base I/O slot
- 16 Digital Inputs
- 24Vdc or 48Vdc input voltage
- LED Input Indication
- Two Groups of eight inputs with common
- Positive or Negative Common Supply (ie source or sink)
- Removable Terminal Blocks
- Hot Plug-in
- In system automatic module detection

The M1322 (24Vdc version) and M1323 (48Vdc version) 16DI modules accept 16 digital inputs powered externally from either a positive or negative common circuit. The inputs are arranged into two independent groups of eight inputs, each group with its own common terminal. The groups are isolated from each other to allow them to be used in separate electrical circuits. All inputs are opto-isolated from the system logic.

The module may be inserted into any I/O slot in a Maxiflex system.

The status of each input is displayed on a 4x4 LED matrix on the front of the module.

The module can be inserted or removed while the system is powered.

## SPECIFICATIONS

### Inputs

Number	16	
Type	Digital (On/Off)	
Isolation	100% tested to 1500Vac, 50/60Hz for 1 minute each Input group to logic	
Insulation Resistance	1000MΩ min. at 500Vdc	
Maximum Voltage between input groups	250Vac	
Input Response	15ms typical	
Indication	Green LED on = input contact closed	
<b>Model</b>	<b>M1322</b>	<b>M1323</b>
Nominal Input Voltage	24Vdc	48Vdc
Nominal Input Current	5mA at 24Vdc	3mA at 48Vdc
Guaranteed On Voltage	9 – 30Vdc	30 – 60Vdc
Input Current at Nominal Voltage	3mA	2mA
Input Current over voltage range	1.5 – 8mA	1.5 – 8mA
Guaranteed Off Voltage	< 4.5Vdc	0 – 9Vdc
Guaranteed Off Current	< 0.3mA	<0.3mA

### Input Termination

Terminal Type	Screw clamp Plug-in Terminal Blocks
Wire Size	2.0mm <sup>2</sup> maximum For manageable wiring to the module, 0.5 mm <sup>2</sup> is recommended

### Environmental

Operating Temperature	-25°C to +60°C (-13°F to +140°F)
Storage Temperature	-40°C to +70°C (-40°F to +158°F)
Humidity	95% max. at 40°C (104°F) non-condensing.
Protection	Electronics Conformally coated

### Logic Power Consumption

From Logic Power Supply	80mA from 5Vdc 0mA from 12Vdc
-------------------------	----------------------------------

### Auto Identification Codes

Model	M1322	M1323
Module ID	2	18
Scan Code	6	6

### Mass

Excluding Packaging	270g (9.6oz)
Including Packaging	360g (12.7oz)

### Ordering Information

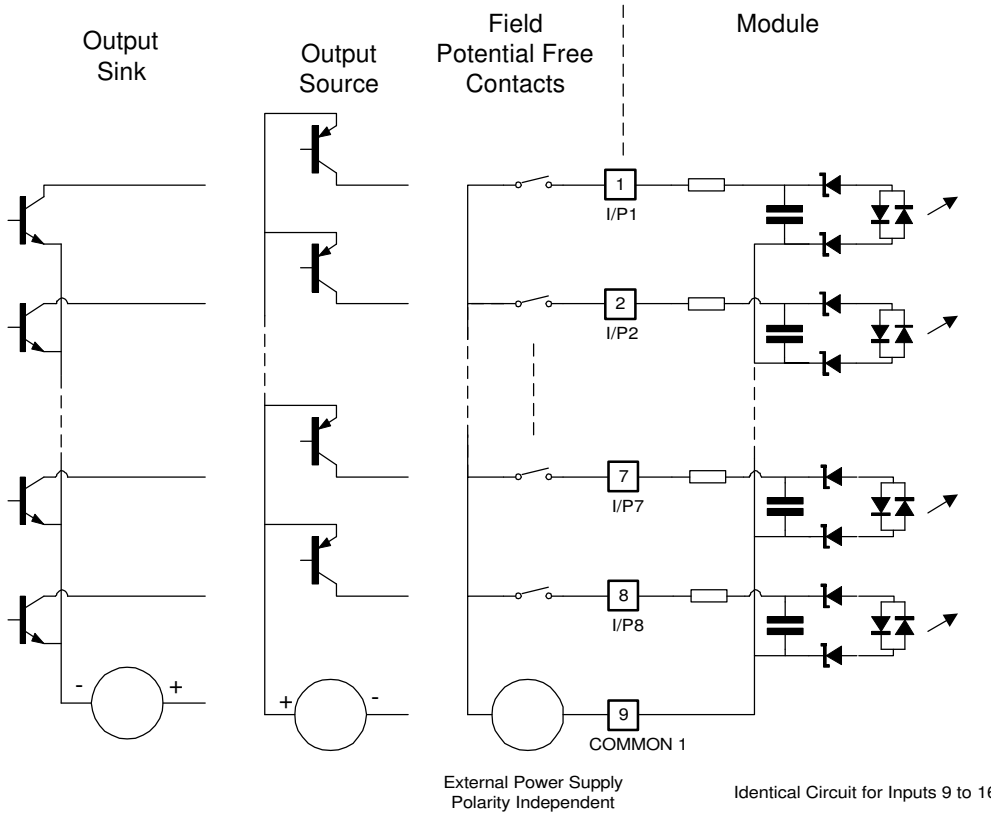
Model	Order Code
16DI – 24Vdc	M1322
16DI – 48Vdc	M1323



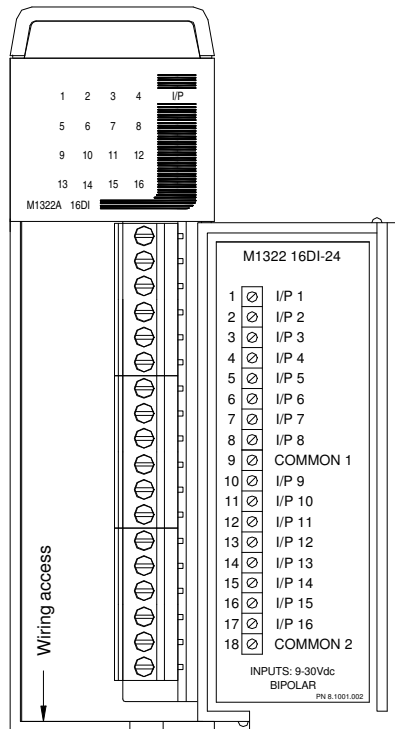
# MAXIFLEX 16DI Module

Model M1322 (24Vdc) & M1323 (48Vdc) 16 Channel Digital Input Module.

## ELECTRICAL CONNECTIONS



## MECHANICAL CONFIGURATION



Note: The LED indicators can only be seen when illuminated.